



Dual Band 37dBi GPS/GNSS UAV Antenna 1,217-1,610 MHz SMA Male Connector IP67

Antennas Technical Data Sheet

PEANGPS1000

Features

- Dual Band
- IP67 Rated
- 1.217- 1.257GHz and 1.565-1.610GHz
- Stable Phase Center
- Millimeter Level Accuracy
- SMA Male

Applications

- GPS L1/L2
- GLONASS L1/L2
- Galileo E1
- QZSS L1/L2
- SBAS L1
- Unmanned Vehicles/Vessels
- GIS Surveying
- Autonomous Vehicles

Description

The PEANGPS1000 is an active GPS/GNSS dual band L1/L2 antenna with 37dBi overall gain. This high precision antenna is IP67 rated, light weight and designed for Unmanned Aerial Vehicles (UAV). The active UAV GPS/GNSS antenna is ideally suited for use in harsh operating environments where stability and reliability of GPS/GNSS signal is required.

This antenna operates in the 1.217- 1.257GHz and 1.565-1.610GHz bands meeting GPS L1/L2, GALILEO E1 and GLONASS L1/L2 requirements. The PEANGPS1000 antenna has an integrated LNA with 1.5 dB noise figure and typical LNA gain of 33 dB.

The PEANGPS1000 GPS antenna from Pasternack, with an axial ratio of 3 dB, can track visible satellites under extreme conditions, providing positioning solutions with accuracy for UAV navigation, autonomous tracking, or GIS surveying.

Configuration

Design	GPS/GNSS
Band Type	Dual
Polarization	RHCP
Connector Type	SMA Male

Electrical Specifications

Description	Minimum	Typical	Maximum	Units
Frequency Range	1,217		1,610	MHz
Output VSWR			2:1	
Impedance		50		Ohms
Gain		37		dBi
Noise Figure		1.5		dB
Operating DC Voltage	3.3		12	Volts
Current			55	mA
Axial Ratio		3		dB

Specifications by Band

Description	Band 1	Band 2	Band 3	Band 4	Band 5	Units
Range	1.217 to 1.257	1.565 to 1.61				GHz

Click the following link (or enter part number in "SEARCH" on website) to obtain additional part information including price, inventory and certifications: [Dual Band 37dBi GPS/GNSS UAV Antenna 1,217-1,610 MHz SMA Male Connector IP67 PEANGPS1000](#)



Dual Band 37dBi GPS/GNSS UAV Antenna 1,217-1,610 MHz SMA Male Connector IP67

Antennas Technical Data Sheet

PEANGPS1000

Gain	37	37.5	dBi
------	----	------	-----

Mechanical Specifications

Size

Overall Length	2.322 in [58.98 mm]
Width	1.08 in [27.43 mm]
Height	1.08 in [27.43 mm]
Weight	0.05 lbs [22.68 g]

Environmental Specifications

Temperature

Operating Range	-40 to +70 deg C
Storage Range	-40 to +70 deg C
Humidity	95%
ESD Protection	67

Compliance Certifications (see [product page](#) for current document)

Plotted and Other Data

Notes:

Dual Band 37dBi GPS/GNSS UAV Antenna 1,217-1,610 MHz SMA Male Connector IP67 from Pasternack Enterprises has same day shipment for domestic and International orders. Our RF, microwave and millimeter wave products maintain a 99.4% availability and are part of the broadest selection in the industry.

Click the following link (or enter part number in "SEARCH" on website) to obtain additional part information including price, inventory and certifications: [Dual Band 37dBi GPS/GNSS UAV Antenna 1,217-1,610 MHz SMA Male Connector IP67 PEANGPS1000](#)

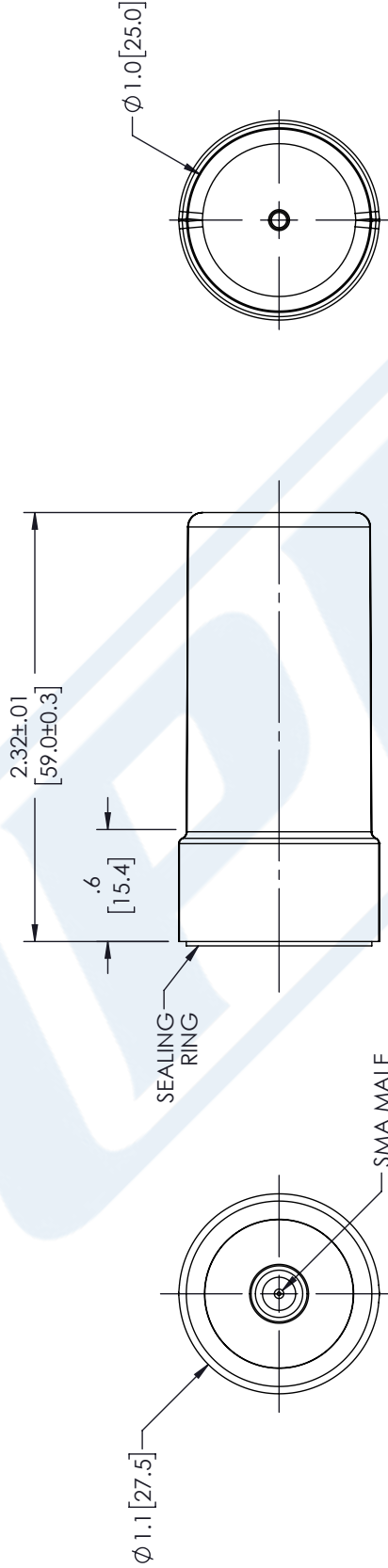
URL: <https://www.pasternack.com/37-dbi-band-gps-active-antenna-1217-1610-mhz-sma-male-connector-peangps1000-p.aspx>

The information contained in this document is accurate to the best of our knowledge and representative of the part described herein. It may be necessary to make modifications to the part and/or the documentation of the part, in order to implement improvements. Pasternack reserves the right to make such changes as required. Unless otherwise stated, all specifications are nominal. Pasternack does not make any representation or warranty regarding the suitability of the part described herein for any particular purpose, and Pasternack does not assume any liability arising out of the use of any part or documentation.

PEANGPS1000 CAD Drawing

Dual Band 37dBi GPS/GNSS UAV Antenna 1,217-1,610 MHz SMA Male Connector IP67

REVISIONS			
REV.	DESCRIPTION	DATE	APPROVED
A	INITIAL RELEASE	5/9/2022	KHIETPAS



<p>UNLESS OTHERWISE SPECIFIED LEADING DIMENSIONS ARE INCHES DIMENSIONS IN [] ARE MILLIMETERS</p> <p>TOLERANCES:</p> <p>.X = ± 2 [508] FRACTIONS ± 1/32 .XX = ± 0.2 [51] ± 1/32 .XXX = ± 0.005 [13] ANGLES ± 1°</p> <p>CABLE LENGTH (L): TOLERANCES: L ≤ 12 [305] = +1 [25] / -0 12 [305] < L ≤ 60 [1524] = +2 [51] / -0 60 [1524] < L ≤ 120 [3048] = +4 [102] / -0 120 [3048] < L ≤ 300 [7620] = +6 [152] / -0 300 [7620] < L = +5% / -0</p> <p>ALL DIMENSIONS SHOWN ARE FOR REFERENCE ONLY.</p>	<p>PE PASTERNAK an INFINITI® brand</p> <p>Pasternack Enterprises, Inc. P. O. Box 16759, Irvine, CA 92623. Phone: 1.949.261.1920 1.866.727.8376 Fax: 1.949.261.7451 Website: www.pasternack.com E-mail: sales@pasternack.com</p>		<p>THIRD-ANGLE PROJECTION</p> <p>THE INFORMATION AND DESIGN IN THIS DOCUMENT IS THE PROPERTY OF PASTERNAK CORPORATION ALL RIGHTS RESERVED.</p> <p>SHEET 1 OF 1</p> <p>SCALE N/A</p>
	<p>SIZE A</p> <p>CAGE CODE 53919</p> <p>DRAWN BY HBAKKE</p> <p>ITEM NO. PEANGPS1000</p>	REV	A

THESE COMMODITIES, TECHNOLOGY OR SOFTWARE WERE EXPORTED FROM THE UNITED STATES IN ACCORDANCE WITH THE EXPORT ADMINISTRATION REGULATIONS. DIVERSION CONTRARY TO U.S. LAW PROHIBITED.