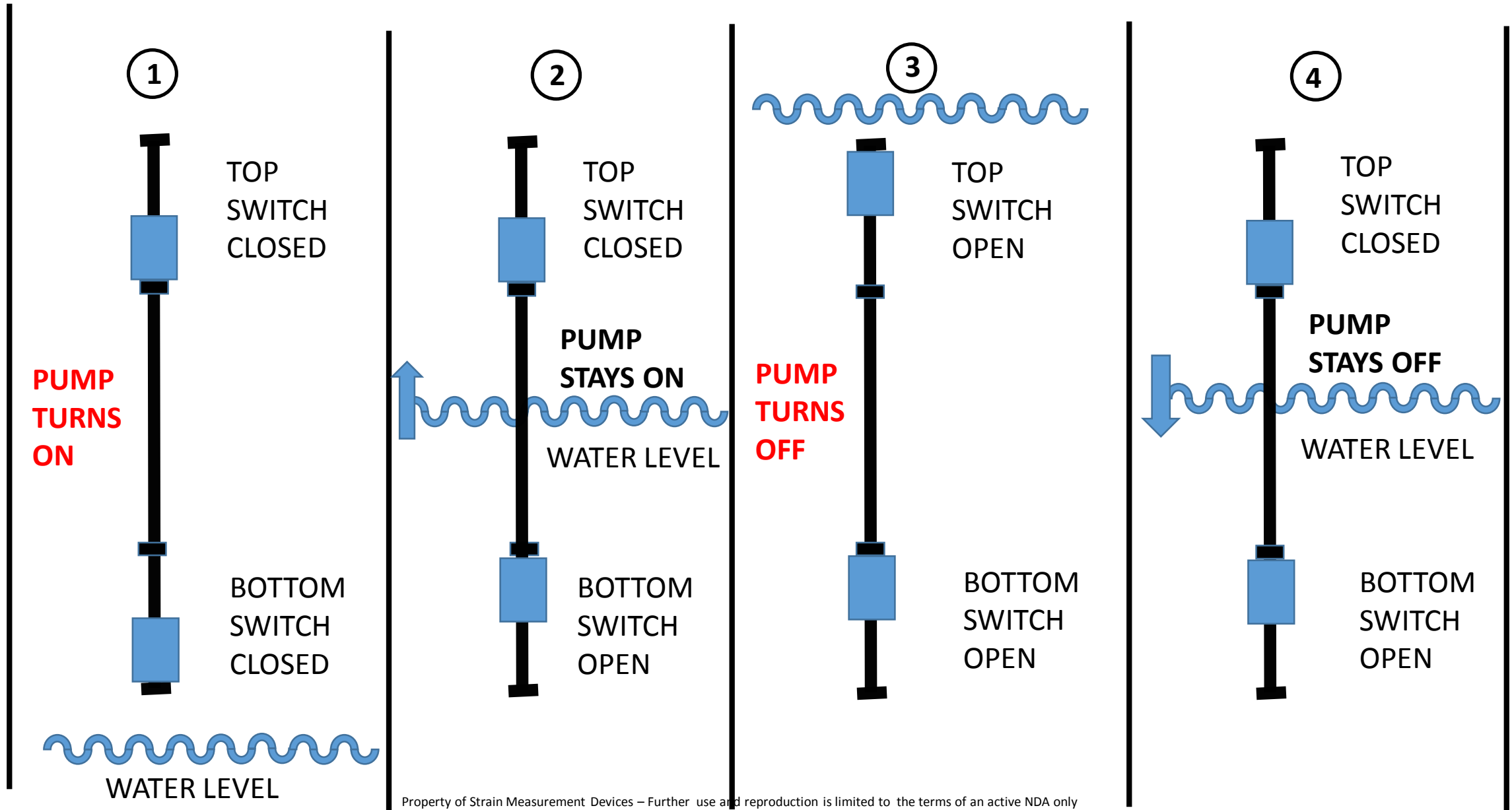
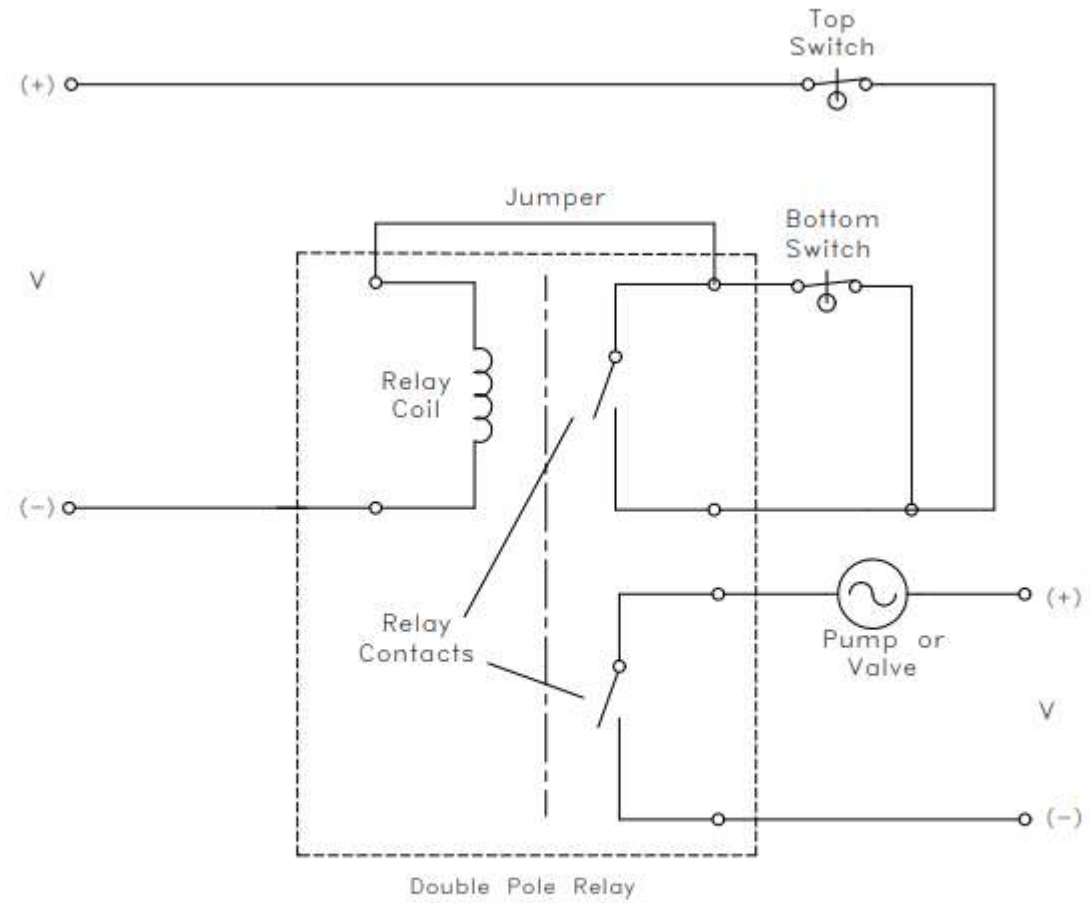


# PUMP UP RELAY CONTROL (to FILL a well when liquid level is low) ALL FLOAT SWITCHES NORMALLY CLOSED WHEN IN LOWER POSITION





PUMP UP  
RELAY CONTROLLER

# PUMP DOWN RELAY CONTROL

## ALL FLOAT SWITCHES NORMALLY OPEN WHEN IN LOWER POSITION

