

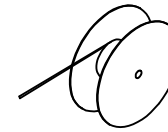
1 Conductor:				
Material	Bare Copper			
Stranding	32x0.10	n° x mm		
Section	24/0.25	AWG/mm²		
Electrical resistant	<80.9(IEC60344) Ohm/Km			
Type of Strand	Cl.6 VDE 0295			
Copper Standart	EN 13602- ETP1, DIN 40500 E-Cu 58			
Conducibility	>100%IACS			
Tensile Strength	>200 (ISO6892/IEC60189-1/EN 50289-3-2) N/mm²			
Elongation	>8 (ISO6892 IEC60189-1/EN 50289-3-2) %			

2 Insulation:				
Conductor nr.	3	4	5	8
Diameter	1.15 +/-0.10 mm			
Compound	TPE			
Avg. thickness	0.25 (nom.) mm			
Hardness	60 ShD			
Standart	UL 758 - CSA C22.2			
Assembly	Backtorsion: Max lay 16xd, Direction Sx(S)			
Color	see picture (Clockwise end of reel)			

3 Jacket:				
Compound	Special compound (TPU based)			
Avg. thickness	1.00 nom. mm			
Hardness	85 ShA			
Color	see chart 1			
Diameter	4.50 +/- 0.20 mm	4.80 +/- 0.20 mm	5.30 +/- 0.20 mm	6.40 +/- 0.20 mm
Strandart	UL 758 - CAS C22.2			

ENTER DESCRIPTION EC NO: IPG2015-0539 DRW:FSCHAFHAUSER 2014/09/18 CHKD:REISSNER 2014/09/30 APPR:CBURGER 2014/10/16	QUALITY SYMBOLS 	GENERAL TOLERANCES (UNLESS SPECIFIED)		DIMENSION STYLE MM ONLY	SCALE DESIGN UNITS METRIC	THIRD ANGLE PROJECTION	
				DRAWN BY: FSCHAFHAUSER DATE: 2014/09/18	TITLE CABLE TPU 0.25 UNSH DCS WELD SLAG RESISTANCE		
				CHECKED BY: REISSNER DATE: 2014/09/30			
				APPROVED BY: CBURGER DATE: 2014/10/16	MATERIAL NO. SEE SHEET 2	DOCUMENT NO. SD-120209-006	SHEET NO. 1 OF 2
				ANGULAR ±---° DRAFT WHERE APPLICABLE MUST REMAIN WITHIN DIMENSIONS	THIS DRAWING CONTAINS INFORMATION THAT IS PROPRIETARY TO MOLEX INCORPORATED AND SHOULD NOT BE USED WITHOUT WRITTEN PERMISSION		

MECHANICAL AND ELECTRICAL CHARACTERISTICS



Temperature range (static)	max. -40/+90 °C (ISO 6722)
Temperature range (dynamic)	-25/+80 °C "free motion" without periodic recurrence and forced guidance
Temperature range (in drag chain)	-5/+60 °C
Voltage rating	600V
Bending radius (static)	up to 5x O.D.
Bending radius (drag chain)	up to 7,5x O.D.
Max installation pulling force	3pol = 10N / 4pol = 150N / 5pol = 180N / 8pol = 220N
Capacitance (typ)	95 pF/m (IEC 60189-1-8.4)
Voltage test (core/core)	2000Vx1Va.c. (IEC60885-1)
voltage test (core/screen if present)	1000Vx1Va.c. (IEC60885-1)
Insulation resistance (20°C)	>100 MOhmXkm (IEC60189-1 & IEC60885-1 or EN50289-1-4)
Volume resistivity (20°C)	>10 ¹² OhmXcm (ASTM D257)
Flame resistant	IEC60332-1, UL Vertical flame test, CSA FT-1
Oil resistant	ISO6722, UL758/2556 (immersion at 100°C in oil IRM902 ex ASTM2)
Free of FCKW, Silicone and Pb	yes
UV resistant	yes (UL1581/2556-300h)
Tear resistant	yes (EN50396)
Hydrolysis resistant	yes (EN50396)
Weld Slag resistance	yes, S-300 MOLEX test
Suitable for Drag Chain application (25°C)	up to 5 Mio (subject to correct installation), Axial D. C., 200m/min, 5m/s²
Suitable for Torsion application (25°C)	max +180°/m, optional-recommended +30°/m
Omologation	UL Style 21215 + CSA; rating 80°C 600V

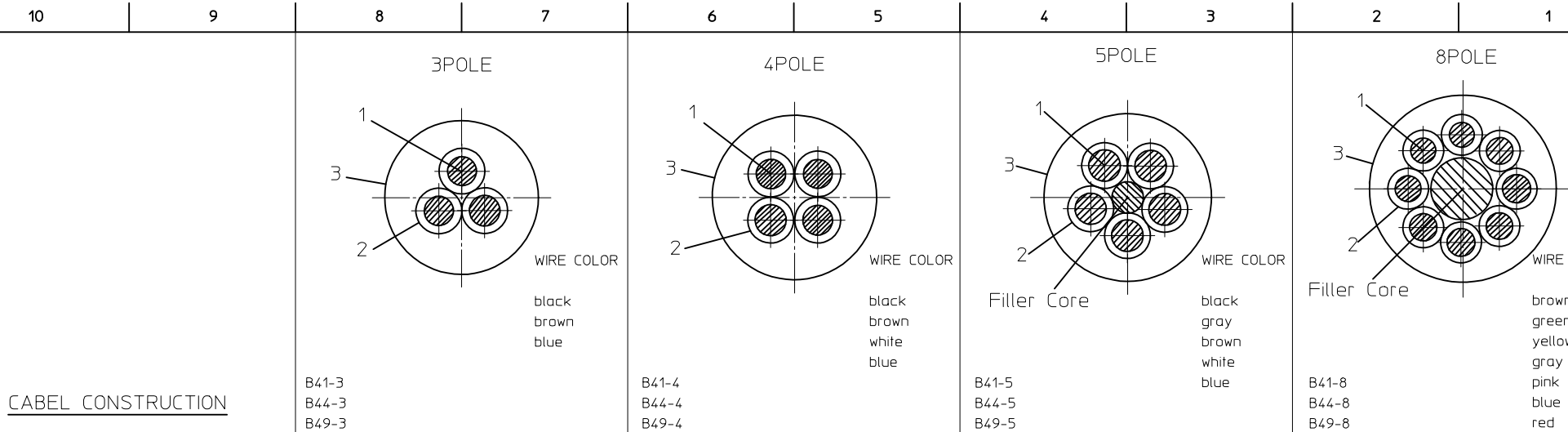
Coil of 200m / 100m

WIRE	CABLE COLOR	PN	ENGINEERING NO.	DESCRIPTION
3POLE	black	1121800067	B41-3-200	COIL 200M CABLE 3X0.25 TPU BK DCS
4POLE	black	1121800068	B41-4-200	COIL 200M CABLE 4X0.25 TPU BK DCS
5POLE	black	1121800069	B41-5-200	COIL 200M CABLE 5X0.25 TPU BK DCS
8POLE	black	1121800006	B41-8-100	COIL 100M CABLE 8X0.25 TPU BK DCS
3POLE	orange	1121800070	B49-3-200	COIL 200M CABLE 3X0.25 TPU OR DCS
4POLE	orange	1121800071	B49-4-200	COIL 200M CABLE 4X0.25 TPU OR DCS
5POLE	orange	1121800072	B49-5-200	COIL 200M CABLE 5X0.25 TPU OR DCS
8POLE	orange	1121800010	B49-8-100	COIL 100M CABLE 8X0.25 TPU OR DCS
3POLE	gray	1121800073	B44-3-200	COIL 200M CABLE 3X0.25 TPU GY DCS
4POLE	gray	1121800074	B44-4-200	COIL 200M CABLE 4X0.25 TPU GY DCS
5POLE	gray	1121800075	B44-5-200	COIL 200M CABLE 5X0.25 TPU GY DCS
8POLE	gray	1121800014	B44-8-100	COIL 100M CABLE 8X0.25 TPU GY DCS

RAW CABLE

WIRE	CABLE COLOR	PN	ENGINEERING NO.	DESCRIPTION
3POLE	black	1202098357	B41-3	Cable 3x0.25 TPU BK D4,50 TPE UNSH DCS weld slag resistance
4POLE	black	1202098358	B41-4	Cable 4x0.25 TPU BK D4,80 TPE UNSH DCS weld slag resistance
5POLE	black	1202098359	B41-5	Cable 5x0.25 TPU BK D5,30 TPE UNSH DCS weld slag resistance
8POLE	black	1202091039	B41-8	Cable 8x0.25 TPU BK D6,40 TPE UNSH DCS weld slag resistance
3POLE	orange	1202098389	B49-3	Cable 3x0.25 TPU OR D4,50 TPE UNSH DCS weld slag resistance
4POLE	orange	1202098390	B49-4	Cable 4x0.25 TPU OR D4,80 TPE UNSH DCS weld slag resistance
5POLE	orange	1202098391	B49-5	Cable 5x0.25 TPU OR D5,30 TPE UNSH DCS weld slag resistance
8POLE	orange	1202091043	B49-8	Cable 8x0.25 TPU OR D6,40 TPE UNSH DCS weld slag resistance
3POLE	gray	1202098392	B44-3	Cable 3x0.25 TPU GY D4,50 TPE UNSH DCS weld slag resistance
4POLE	gray	1202098393	B44-4	Cable 4x0.25 TPU GY D4,80 TPE UNSH DCS weld slag resistance
5POLE	gray	1202098394	B44-5	Cable 5x0.25 TPU GY D5,30 TPE UNSH DCS weld slag resistance
8POLE	gray	1202091047	B44-8	Cable 8x0.25 TPU GY D6,40 TPE UNSH DCS weld slag resistance

ENTER DESCRIPTION EC NO: IPG2015-0539 DRW:NFSCHAFHAUSER 2014/09/18 CHKD:REISSNER 2014/09/30 APPR:CBURGER 2014/10/16	QUALITY SYMBOLS ▽=0 ◻=0	GENERAL TOLERANCES (UNLESS SPECIFIED)		DIMENSION STYLE MM ONLY		SCALE 1:20	DESIGN UNITS METRIC	THIRD ANGLE PROJECTION	
			mm	INCH	DRAWN BY FSCHAFHAUSER	DATE 2014/09/18	CABLE TPU 0.25 UNSH DCS WELD SLAG RESISTANCE molex SD-120209-006 SHEET NO. 2 OF 2		
		4 PLACES	± ---	± ---	CHECKED BY REISSNER	DATE 2014/09/30			
		3 PLACES	± ---	± ---	APPROVED BY CBURGER	DATE 2014/10/16			
2 PLACES	± ---	± ---	MATERIAL NO. SEE TABLE						
1 PLACE	± ---	± ---	DRAFT WHERE APPLICABLE MUST REMAIN WITHIN DIMENSIONS		DOCUMENT NO. SD-120209-006		SHEET NO. 2 OF 2		
0 PLACE	± ---	± ---	ANGULAR ± --- °		SIZE A3		THIS DRAWING CONTAINS INFORMATION THAT IS PROPRIETARY TO MOLEX INCORPORATED AND SHOULD NOT BE USED WITHOUT WRITTEN PERMISSION		



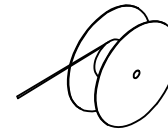
1 Conductor:				
Material	Bare Copper			
Stranding	32x0.10	n° x mm		
Section	24/0.25	AWG/mm²		
Electrical resistant	<80.9(IEC60344) Ohm/Km			
Type of Strand	Cl.6 VDE 0295			
Copper Standart	EN 13602- ETP1, DIN 40500 E-Cu 58			
Conducibility	>100%IACS			
Tensile Strength	>200 (ISO6892/IEC60189-1/EN 50289-3-2) N/mm²			
Elongation	>8 (ISO6892 IEC60189-1/EN 50289-3-2) %			

2 Insulation:				
Conductor nr.	3	4	5	8
Diameter	1.15 +/-0.10 mm			
Compound	TPE			
Avg. thickness	0.25 (nom.) mm			
Hardness	60 ShD			
Standart	UL 758 - CSA C22.2			
Assembly	Backtorsion: Max lay 16xd, Direction Sx(S)			
Color	see picture (Clockwise end of reel)			

3 Jacket:				
Compound	Special compound (TPU based)			
Avg. thickness	1.00 nom. mm			
Hardness	85 ShA			
Color	see chart 1			
Diameter	4.50 +/- 0.20 mm	4.80 +/- 0.20 mm	5.30 +/- 0.20 mm	6.40 +/- 0.20 mm
Strandart	UL 758 - CAS C22.2			

ENTER DESCRIPTION EC NO: IPG2015-0539 DRW:FSCHAFHAUSER 2014/09/18 CHKD:REISSNER 2014/09/30 APPR:CBURGER 2014/10/16	QUALITY SYMBOLS 	GENERAL TOLERANCES (UNLESS SPECIFIED)		DIMENSION STYLE MM ONLY	SCALE DESIGN UNITS METRIC	THIRD ANGLE PROJECTION		
		4 PLACES 3 PLACES 2 PLACES 1 PLACE 0 PLACE	mm INCH	DRAWN BY FSCHAFHAUSER	DATE 2014/09/18	TITLE CABLE TPU 0.25 UNSH DCS WELD SLAG RESISTANCE 		
		ANGULAR ±---°		CHECKED BY REISSNER	DATE 2014/09/30	DOCUMENT NO. SD-120209-006		
		DRAFT WHERE APPLICABLE MUST REMAIN WITHIN DIMENSIONS		APPROVED BY CBURGER	DATE 2014/10/16	SHEET NO. 1 OF 2		
		SIZE A3		THIS DRAWING CONTAINS INFORMATION THAT IS PROPRIETARY TO MOLEX INCORPORATED AND SHOULD NOT BE USED WITHOUT WRITTEN PERMISSION				

MECHANICAL AND ELECTRICAL CHARACTERISTICS



Temperature range (static)	max. -40/+90 °C (ISO 6722)
Temperature range (dynamic)	-25/+80 °C "free motion" without periodic recurrence and forced guidance
Temperature range (in drag chain)	-5/+60 °C
Voltage rating	600V
Bending radius (static)	up to 5x O.D.
Bending radius (drag chain)	up to 7,5x O.D.
Max installation pulling force	3pol = 10N / 4pol = 150N / 5pol = 180N / 8pol = 220N
Capacitance (typ)	95 pF/m (IEC 60189-1-8.4)
Voltage test (core/core)	2000Vx1Va.c. (IEC60885-1)
voltage test (core/screen if present)	1000Vx1Va.c. (IEC60885-1)
Insulation resistance (20°C)	>100 MOhmXkm (IEC60189-1 & IEC60885-1 or EN50289-1-4)
Volume resistivity (20°C)	>10 ¹² OhmXcm (ASTM D257)
Flame resistant	IEC60332-1, UL Vertical flame test, CSA FT-1
Oil resistant	ISO6722, UL758/2556 (immersion at 100°C in oil IRM902 ex ASTM2)
Free of FCKW, Silicone and Pb	yes
UV resistant	yes (UL1581/2556-300h)
Tear resistant	yes (EN50396)
Hydrolysis resistant	yes (EN50396)
Weld Slag resistance	yes, S-300 MOLEX test
Suitable for Drag Chain application (25°C)	up to 5 Mio (subject to correct installation), Axial D. C., 200m/min, 5m/s²
Suitable for Torsion application (25°C)	max +180°/m, optional-recommended +30°/m
Omologation	UL Style 21215 + CSA; rating 80°C 600V

Coil of 200m / 100m

WIRE	CABLE COLOR	PN	ENGINEERING NO.	DESCRIPTION
3POLE	black	1121800067	B41-3-200	COIL 200M CABLE 3X0.25 TPU BK DCS
4POLE	black	1121800068	B41-4-200	COIL 200M CABLE 4X0.25 TPU BK DCS
5POLE	black	1121800069	B41-5-200	COIL 200M CABLE 5X0.25 TPU BK DCS
8POLE	black	1121800006	B41-8-100	COIL 100M CABLE 8X0.25 TPU BK DCS
3POLE	orange	1121800070	B49-3-200	COIL 200M CABLE 3X0.25 TPU OR DCS
4POLE	orange	1121800071	B49-4-200	COIL 200M CABLE 4X0.25 TPU OR DCS
5POLE	orange	1121800072	B49-5-200	COIL 200M CABLE 5X0.25 TPU OR DCS
8POLE	orange	1121800010	B49-8-100	COIL 100M CABLE 8X0.25 TPU OR DCS
3POLE	gray	1121800073	B44-3-200	COIL 200M CABLE 3X0.25 TPU GY DCS
4POLE	gray	1121800074	B44-4-200	COIL 200M CABLE 4X0.25 TPU GY DCS
5POLE	gray	1121800075	B44-5-200	COIL 200M CABLE 5X0.25 TPU GY DCS
8POLE	gray	1121800014	B44-8-100	COIL 100M CABLE 8X0.25 TPU GY DCS

RAW CABLE

WIRE	CABLE COLOR	PN	ENGINEERING NO.	DESCRIPTION
3POLE	black	1202098357	B41-3	Cable 3x0.25 TPU BK D4,50 TPE UNSH DCS weld slag resistance
4POLE	black	1202098358	B41-4	Cable 4x0.25 TPU BK D4,80 TPE UNSH DCS weld slag resistance
5POLE	black	1202098359	B41-5	Cable 5x0.25 TPU BK D5,30 TPE UNSH DCS weld slag resistance
8POLE	black	1202091039	B41-8	Cable 8x0.25 TPU BK D6,40 TPE UNSH DCS weld slag resistance
3POLE	orange	1202098389	B49-3	Cable 3x0.25 TPU OR D4,50 TPE UNSH DCS weld slag resistance
4POLE	orange	1202098390	B49-4	Cable 4x0.25 TPU OR D4,80 TPE UNSH DCS weld slag resistance
5POLE	orange	1202098391	B49-5	Cable 5x0.25 TPU OR D5,30 TPE UNSH DCS weld slag resistance
8POLE	orange	1202091043	B49-8	Cable 8x0.25 TPU OR D6,40 TPE UNSH DCS weld slag resistance
3POLE	gray	1202098392	B44-3	Cable 3x0.25 TPU GY D4,50 TPE UNSH DCS weld slag resistance
4POLE	gray	1202098393	B44-4	Cable 4x0.25 TPU GY D4,80 TPE UNSH DCS weld slag resistance
5POLE	gray	1202098394	B44-5	Cable 5x0.25 TPU GY D5,30 TPE UNSH DCS weld slag resistance
8POLE	gray	1202091047	B44-8	Cable 8x0.25 TPU GY D6,40 TPE UNSH DCS weld slag resistance

ENTER DESCRIPTION EC NO: IPG2015-0539 DRW:NFSCHAFHAUSER 2014/09/18 CHKD:REISSNER 2014/09/30 APPR:CBURGER 2014/10/16	QUALITY SYMBOLS ▽=0 ◻=0	GENERAL TOLERANCES (UNLESS SPECIFIED)		DIMENSION STYLE MM ONLY		SCALE 1:20	DESIGN UNITS METRIC	THIRD ANGLE PROJECTION	
			mm	INCH	DRAWN BY FSCHAFHAUSER	DATE 2014/09/18	CABLE TPU 0.25 UNSH DCS WELD SLAG RESISTANCE molex SD-120209-006 SHEET NO. 2 OF 2		
		4 PLACES	± ---	± ---	CHECKED BY REISSNER	DATE 2014/09/30			
		3 PLACES	± ---	± ---	APPROVED BY CBURGER	DATE 2014/10/16			
2 PLACES	± ---	± ---	MATERIAL NO.	DOCUMENT NO.					
1 PLACE	± ---	± ---	ANGULAR ± --- °		SEE TABLE				
0 PLACE	± ---	± ---	DRAFT WHERE APPLICABLE MUST REMAIN WITHIN DIMENSIONS		SIZE A3		THIS DRAWING CONTAINS INFORMATION THAT IS PROPRIETARY TO MOLEX INCORPORATED AND SHOULD NOT BE USED WITHOUT WRITTEN PERMISSION		