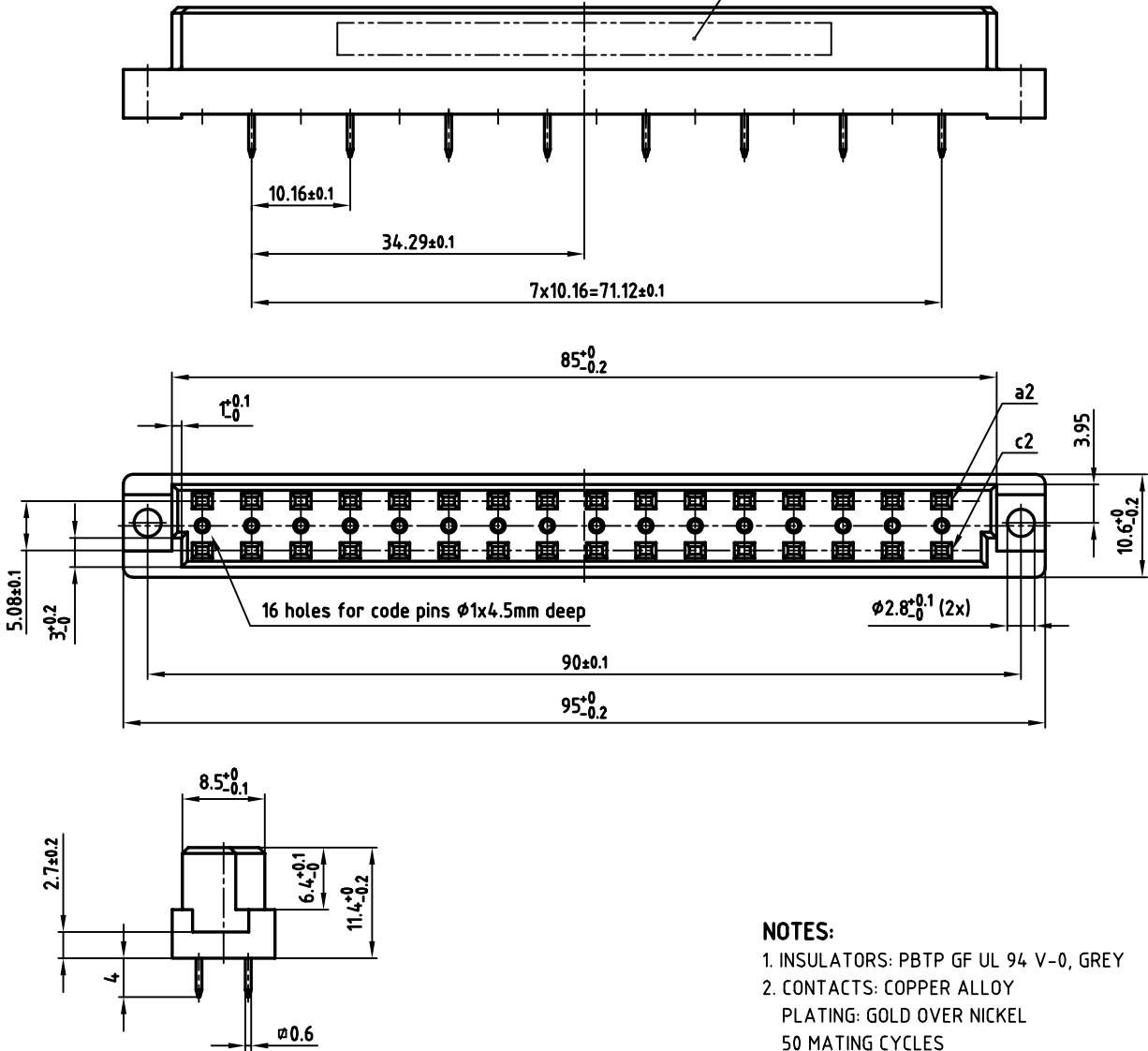


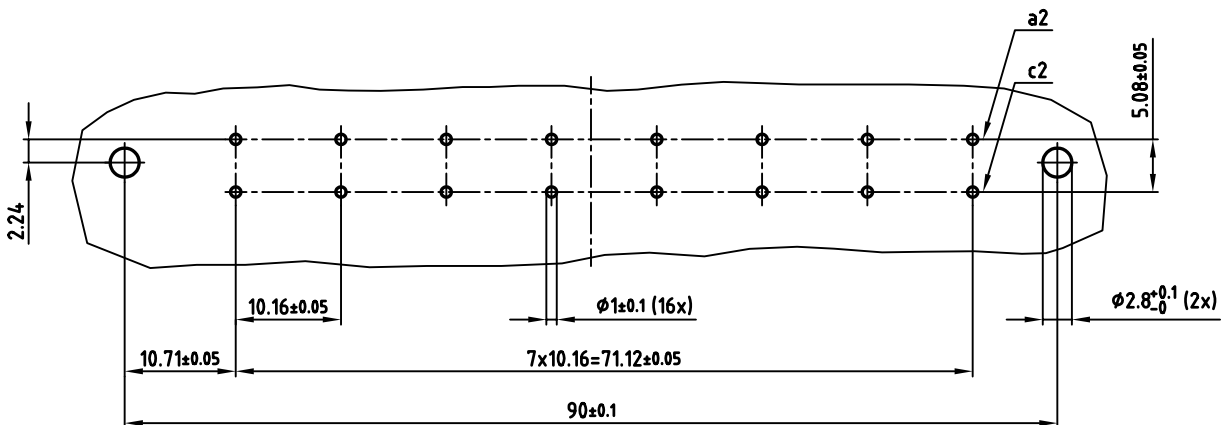
used for: DIN EN 60603 TYPE "D"

SEE NOTE 3



NOTES:

1. INSULATORS: PBTP GF UL 94 V-0, GREY
2. CONTACTS: COPPER ALLOY
PLATING: GOLD OVER NICKEL
50 MATING CYCLES
3. CONNECTOR IS PART MARKED: 122A13079X CONEC ABC



APPROVAL # FREIGABE # DEBLOCAGE # AUTORIZACION # APPROVAL	
CUSTOMER APPROVAL DATE:	
NAME:	TITLE:
COMPANY NAME:	
APPROVAL # FREIGABE # DEBLOCAGE # AUTORIZACION # APPROVAL	

THIS DRAWING MAY NOT BE COPIED OR REPRODUCED IN ANY WAY, AND MAY NOT BE PASSED ON TO A THIRD PARTY, WITHOUT WRITTEN PERMISSION. OWNERSHIP AND COPYRIGHT OF CONEC GmbH. DO NOT ALTER CAD DRAWING BY HAND

rev.	description	date	name

tolerance		scale:	2:1
	dim. in mm	material:	SEE NOTES
2005	date	name	title:
drawn	04.11.	Lehmenkühler	FEMALE CONNECTOR TYPE "D"
appd.	04.11.	Mickenbecker	16pos. SOLDER PIN 4mm
norm	DIN EN 60603		$\phi 0.6$ mm
d-old			dwg no:
			AutoCAD 2004
			DIN-A
			3
			sh: 1/1
			part no: 122A13079X

dwg no:	AutoCAD 2004	DIN-A
12K1A404	3	sh: 1/1
part no:	122A13079X	