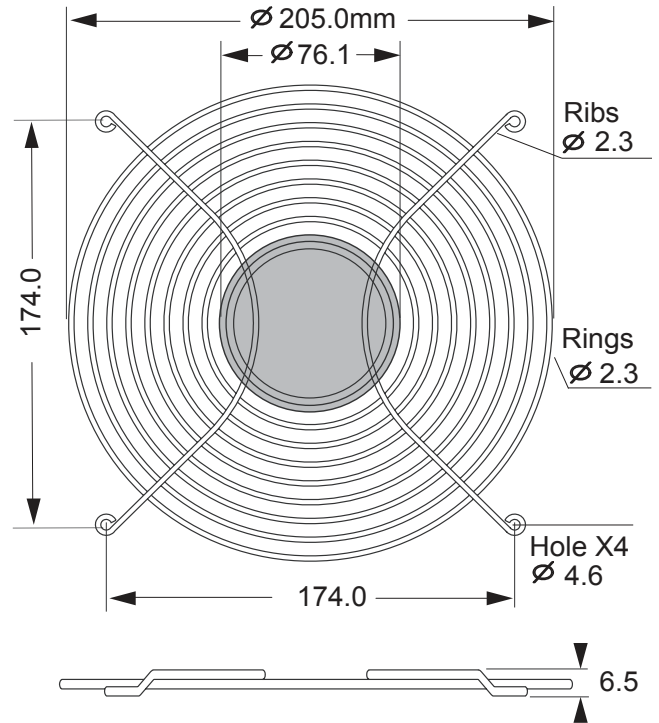
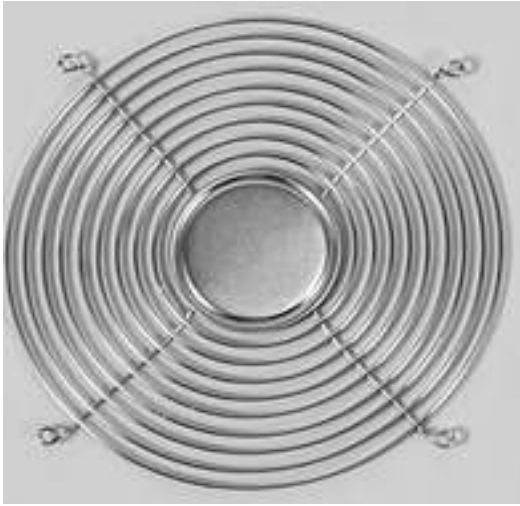


Part No. G205-8D



Fan Guard for 205mm Fan

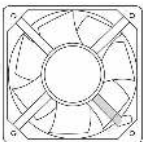


NOTES:

1. MATERIAL: C1008 BRIGHT BASIC WIRE
2. FINISH: BRIGHT NICKEL CHROME
3. RINGS: 2.3MM dia. / RIBS: 2.3MM dia
4. WELDS TO WITHSTAND 88LBS PULL FORCE
5. GENERAL TOLERANCE UNLESS NOTED $\pm 0.5\text{MM}$
6. PART MEETS 6.35MM PLUG GAUGE TEST
7. UNIT: MM

Part Number	Description
G205-8D	205mm fan guard, metal

Matching Fan Series



OA205AN

10557 Metric Drive
Dallas, Texas 75243
214-340-0265



OrionFans.com
Information and data is subject to
change without prior notification.