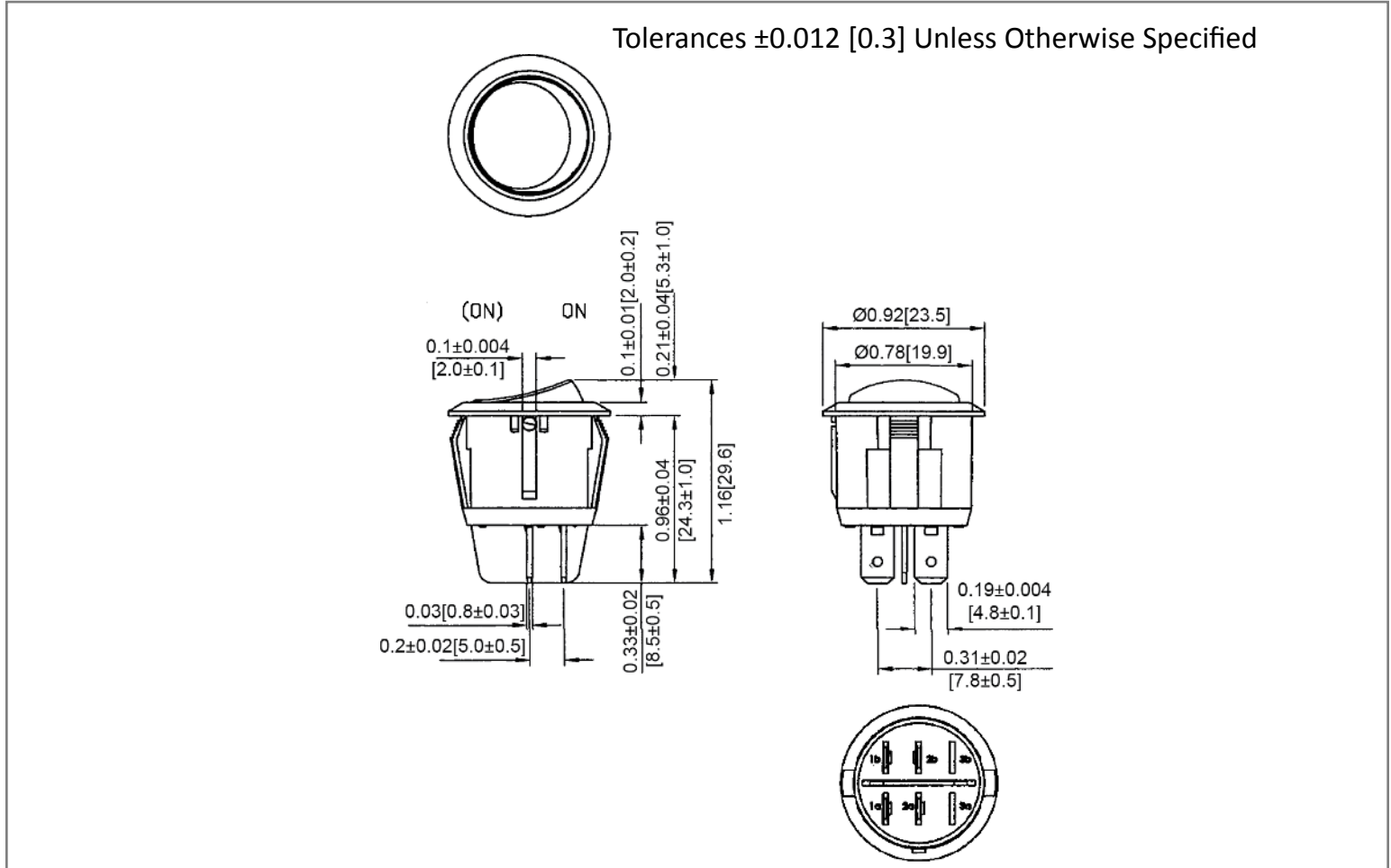
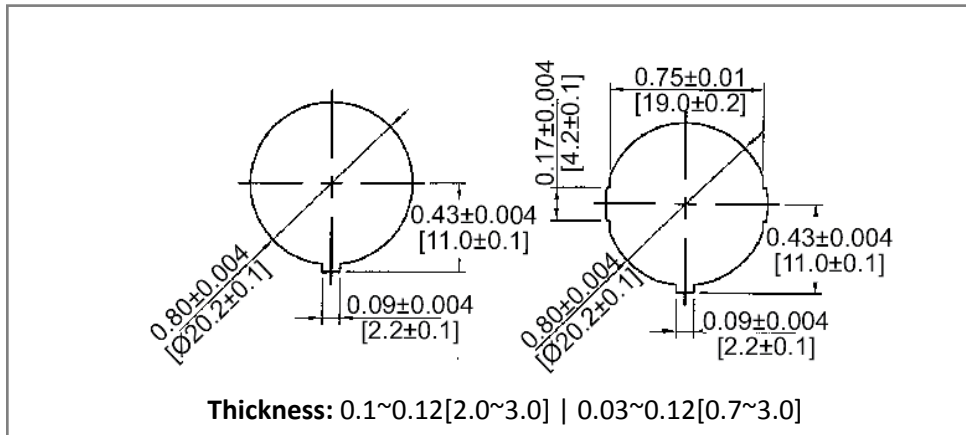


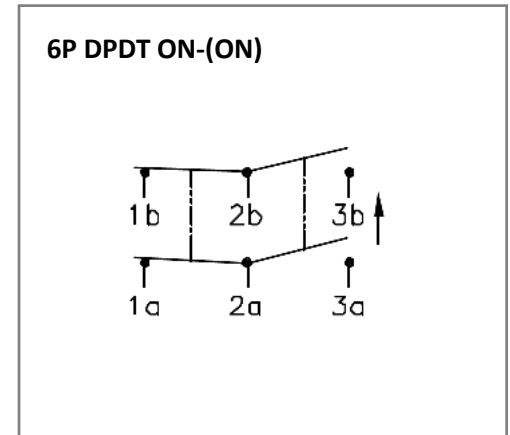
Mechanical Dimensions: Inches [mm]



Mounting Hole



Circuit Diagram



Electrical Specifications

Rating	10A 28V DC		Frame	Black, Nylon 66 (94-V2)
Contact Resistance	50m ohm Max.		Actuator	Black, Nylon 66 (94-V2)
Insulation Resistance	DC 500V 100M ohm Min.			
Dielectric Strength	AC 1500V 1 minute			
Operation Temperature	-25° C-85° C			

Rev	Date of issue	Revision Notes	Designed	Approved
B	05-04-2020	Initial Drawing	RC	OF