

MATERIALS AND FINISHES:

SMA JACK STR CONNECTOR:

BODY, CRIMP TUBE, JAM NUT: BRASS
PLATED GOLD

CENTER CONTACT: BERYLLIUM COPPER
PLATED GOLD

INSULATOR: TEFLON

LOCK WASHER: PHOSPHOR BRONZE
PLATED GOLD

GASKET: SILICONE RUBBER

CONNECTOR:

MHF® I LK

MATED HEIGHT: 2.90MM MAX

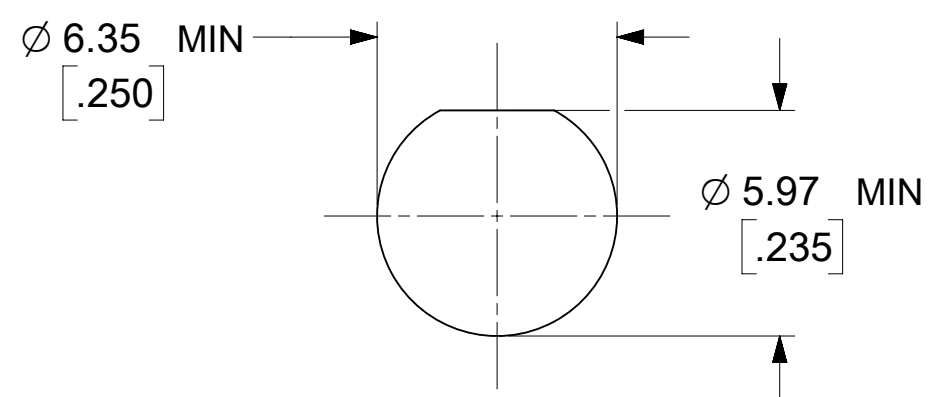
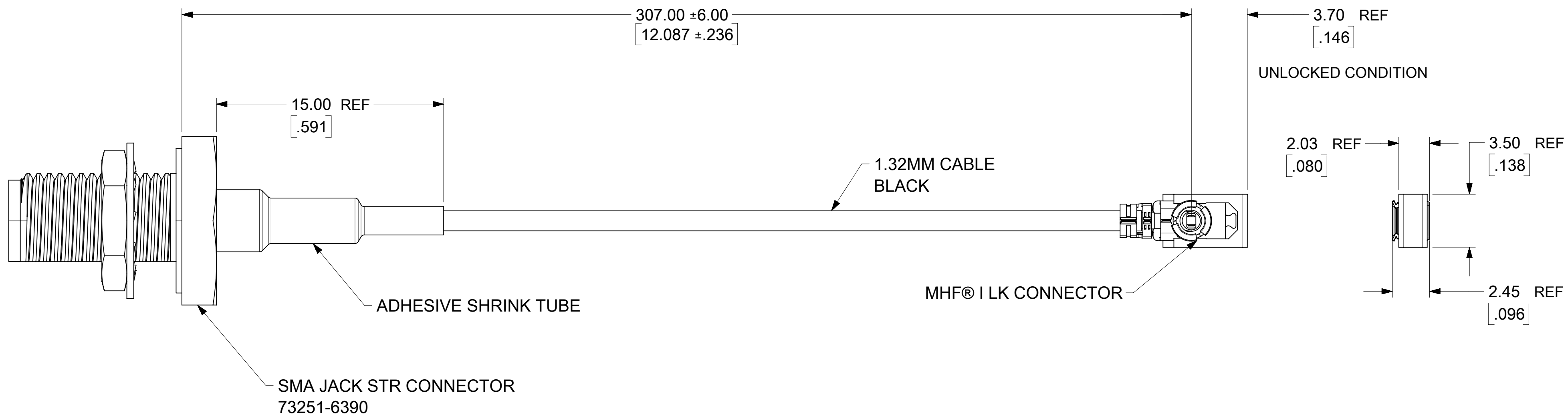
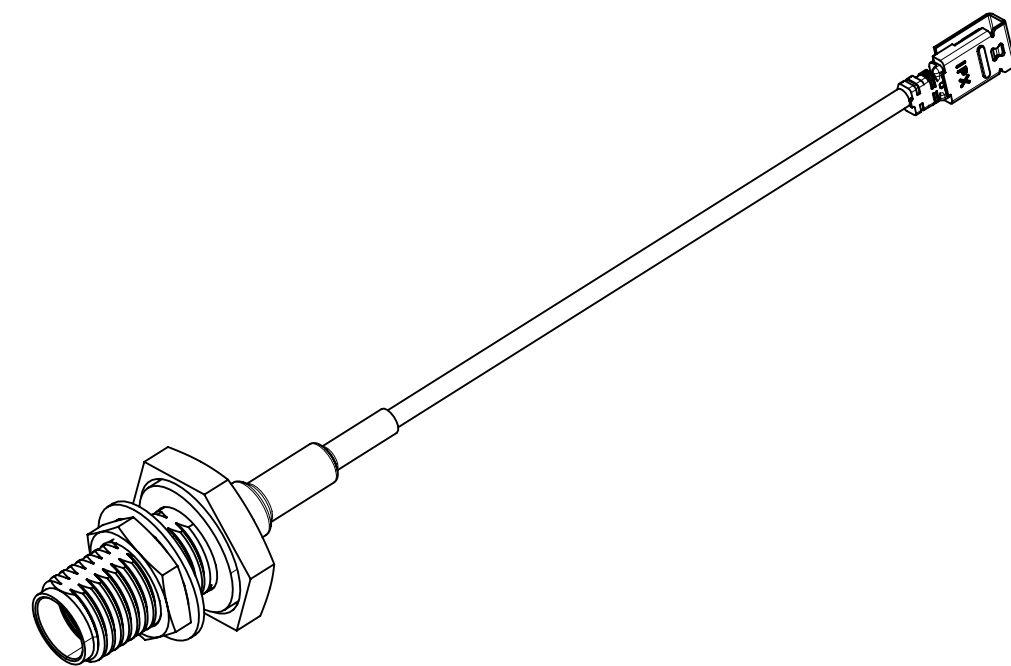
CABLE: 1.32MM CABLE BLACK

NOTES:

PACKAGING BY PLASTIC BAG

PERFORMANCE REQUIRMENTS:

1. FREQUENCY: DC~ 6GHz
2. IMPEDANCE: 50 OHMS
3. TEST 100% CONTINUITY
4. TEST 100% HI-POT: AC 350 V@0.5mA



PART # 73230-6200

FUNCTIONAL SYMBOLS	THIS DRAWING CONTAINS INFORMATION THAT IS PROPRIETARY TO MOLEX ELECTRONIC TECHNOLOGIES, LLC AND SHOULD NOT BE USED WITHOUT WRITTEN PERMISSION											
$\nabla_A = 0$	DIMENSION UNITS	SCALE	CURRENT REV DESC: NEW RELEASE									
$\nabla_C = 0$	mm	NTS										
$\nabla_P = 0$	GENERAL TOLERANCES (UNLESS SPECIFIED)											
DIVISIONAL SYMBOLS	ANGULAR TOL	±	°	EC NO: 721426							CA, SMA JACK STR BKHD IP68 TO MHF® I LK WITH 1.32MM CABLE EWR#15294-A	
	4 PLACES	±		DRWN: JCHEN108 2022/07/08								
	3 PLACES	±		CHK'D: MYLU07 2022/09/19							PRODUCT CUSTOMER DRAWING	
	2 PLACES	±		APPR: LCHEN03 2022/09/22								
	1 PLACE	±		INITIAL REVISION:							DOCUMENT NUMBER 732306200	
	0 PLACES	±		DRWN: JCHEN108 2022/07/08								
	DRAFT WHERE APPLICABLE MUST REMAIN WITHIN DIMENSIONS			THIRD ANGLE PROJECTION		DRAWING	SERIES	MATERIAL NUMBER	CUSTOMER	DOC TYPE	DOC PART	REVISION
						C-SIZE	73230	73230-6200	GENERAL MARKET	PSD	000	A
												SHEET NUMBER 1 OF 1

DOCUMENT STATUS	P1	RELEASE DATE	2022/09/22	07:56:05
-----------------	----	--------------	------------	----------