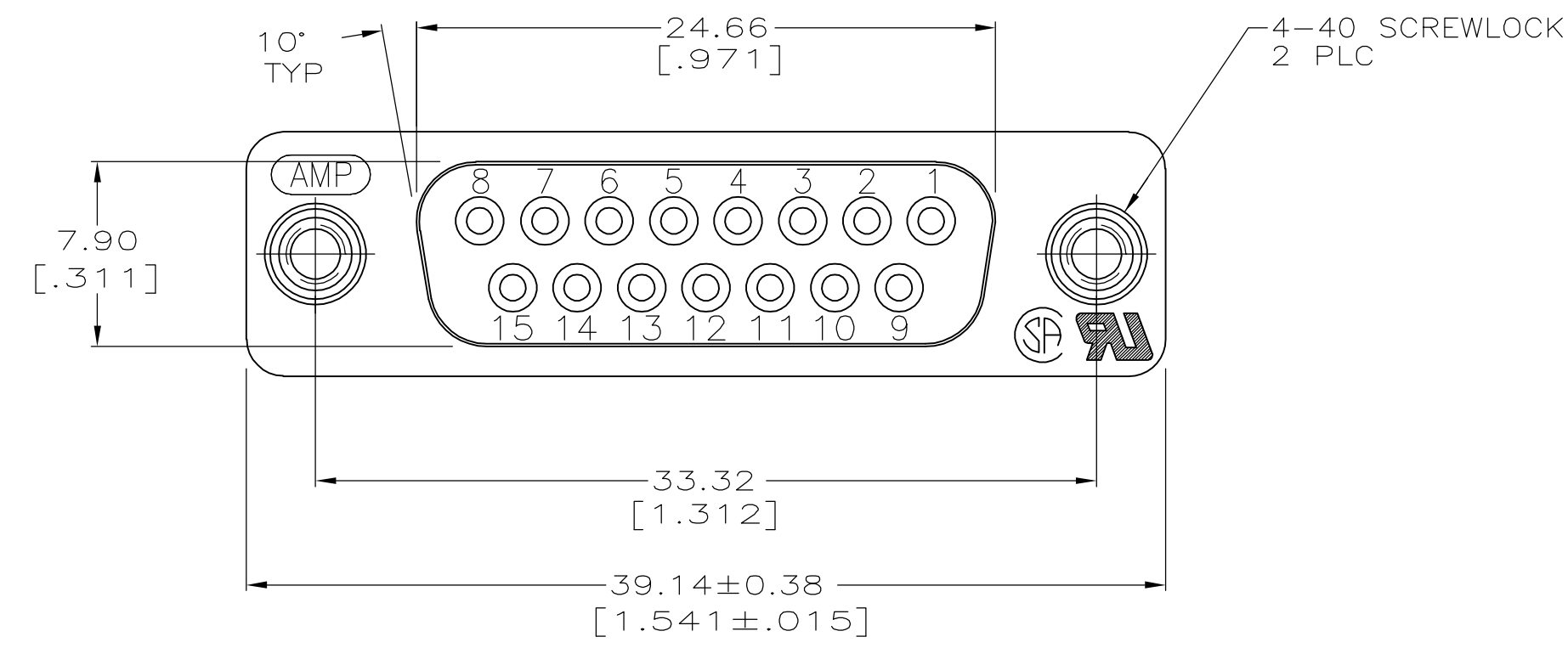
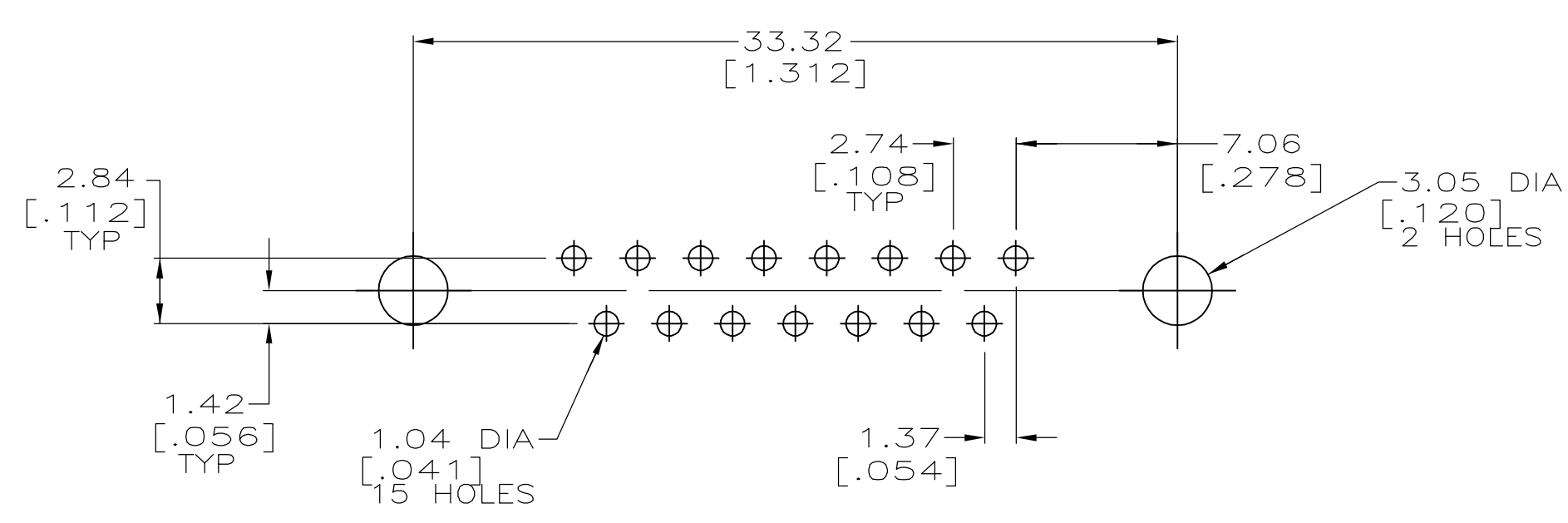
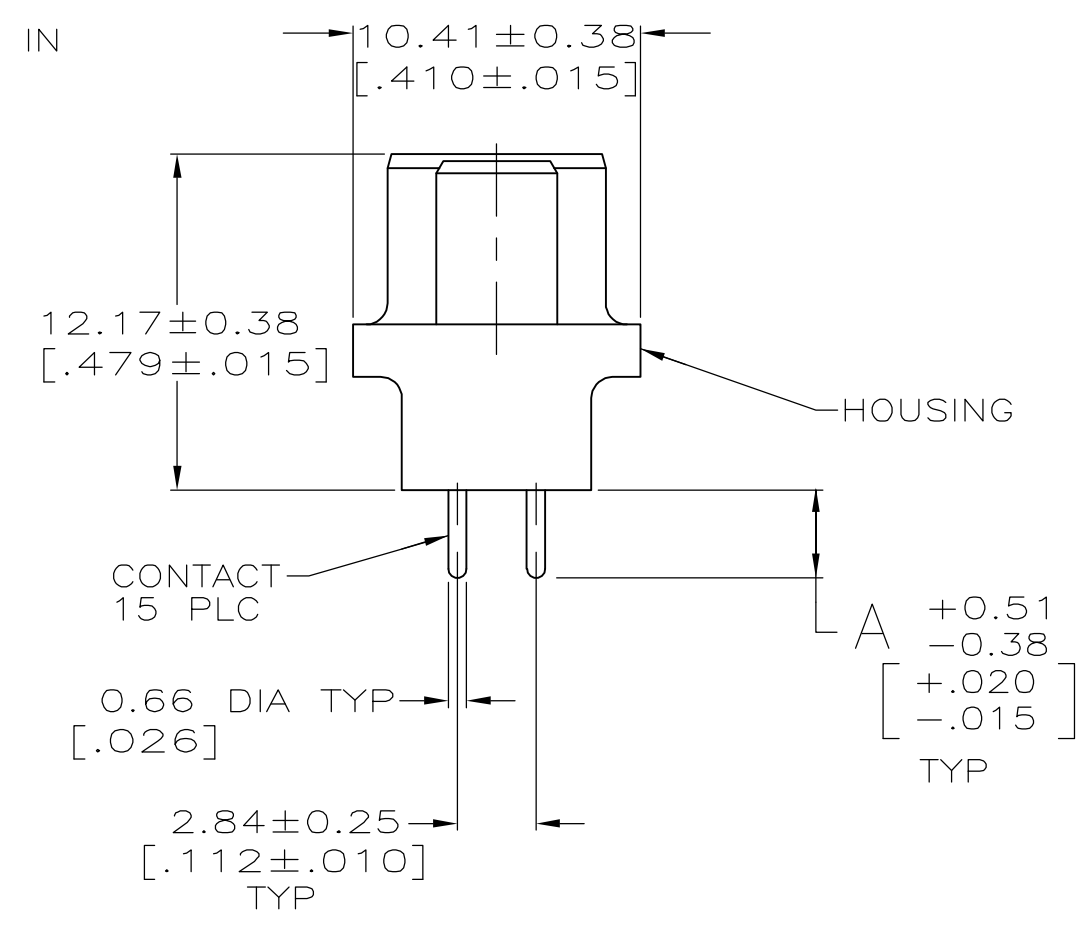
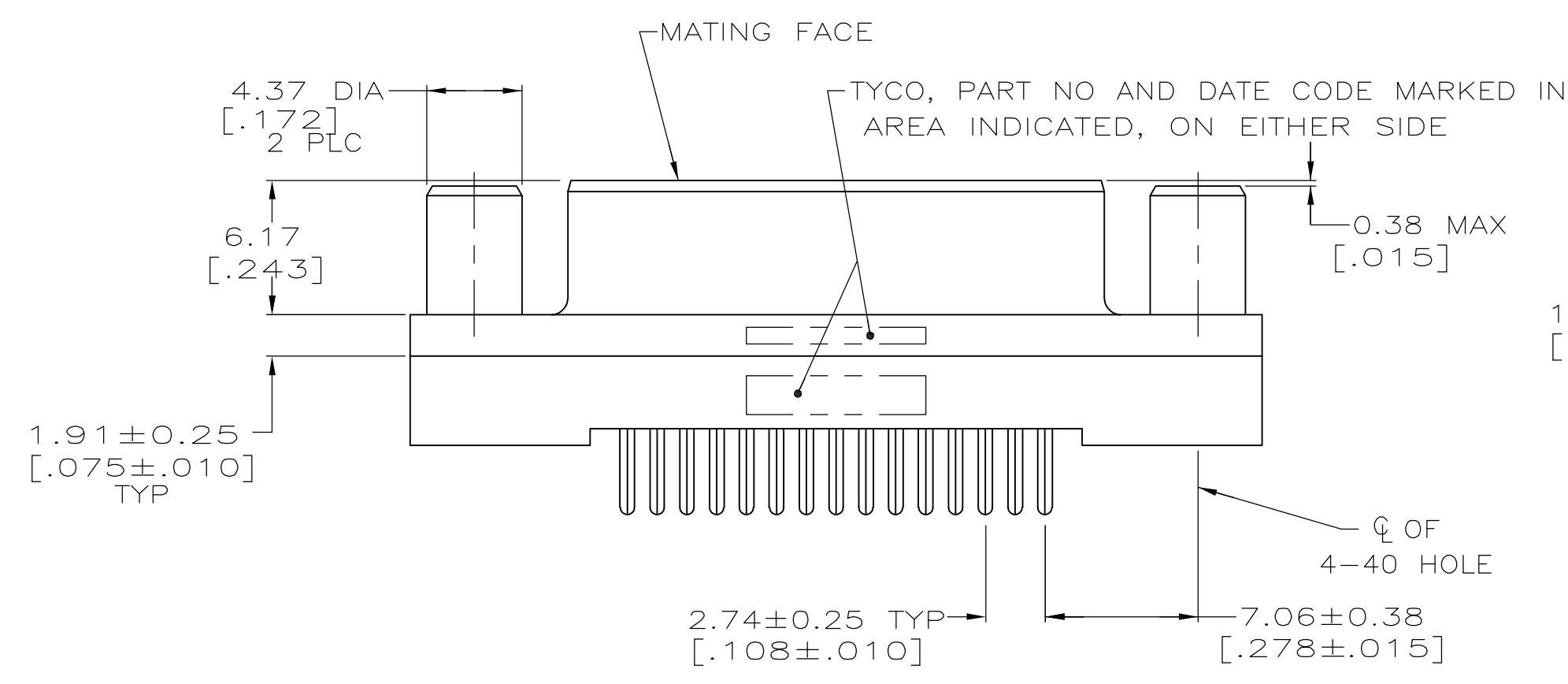


LOC	DIST	REVISIONS					
GP	00	P	LTR	DESCRIPTION	DATE	OWN	APVD
		0		RELEASED PER EC 0S13-0087-05	31AUG05	GP	JG



- ① HOUSING: BLACK POLYESTER, UL 94V-0 RATED; CONTACTS: PHOSPHOR BRONZE; SCREWLOCKS: BRASS.
- ② CONTACTS: SEE TABLE.
SCREWLOCKS: 1.27µm[.000050] MIN NICKEL OVER COPPER FLASH.
- ③ GOLD FLASH FOR A LENGTH OF 2.54[.100] MIN FROM MATING END, 2.54µm[.000100] MIN TIN FOR A LENGTH OF DIMENSION A FROM OPPOSITE END, ALL OVER 1.27µm[.000050] MIN NICKEL.
- ④ 0.76 µm[.000030] MIN GOLD FOR A LENGTH OF 2.54[.100] MIN FROM MATING END, 2.54µm[.000100] MIN TIN FOR A LENGTH OF DIMENSION A FROM OPPOSITE END, ALL OVER 1.27µm[.000050] MIN NICKEL.



RECOMMENDED PC BOARD MOUNTING DIMENSIONS

4.32 [0.170]	④	5745077-6
3.18 [0.125]	④	5745077-4
3.18 [0.125]	③	5745077-3
A	CONTACT FINISH	PART NO

THIS DRAWING IS A CONTROLLED DOCUMENT.		DWN G.PETERS 31AUG05	Tyco Electronics Corporation Harrisburg, Pa 17105-3608															
DIMENSIONS: mm[INCHES]		CHK J.GERACE 31AUG05	NAME M.WALMSLEY 31AUG05															
TOLERANCES UNLESS OTHERWISE SPECIFIED:		PRODUCT SPEC 108-40025																
<table border="0"> <tr><td>0 PLC</td><td>± -</td></tr> <tr><td>1 PLC</td><td>± -</td></tr> <tr><td>2 PLC</td><td>± 0.13 [0.005]</td></tr> <tr><td>3 PLC</td><td>± -</td></tr> <tr><td>4 PLC</td><td>± -</td></tr> <tr><td>ANGLES</td><td>± ± 2'</td></tr> <tr><td>FINISH</td><td>②</td></tr> </table>		0 PLC	± -	1 PLC	± -	2 PLC	± 0.13 [0.005]	3 PLC	± -	4 PLC	± -	ANGLES	± ± 2'	FINISH	②	APPLICATION SPEC -		
0 PLC	± -																	
1 PLC	± -																	
2 PLC	± 0.13 [0.005]																	
3 PLC	± -																	
4 PLC	± -																	
ANGLES	± ± 2'																	
FINISH	②																	
MATERIAL ①	WEIGHT -	SIZE A2	CAGE CODE 00779	DRAWING NO G-5745077														
CUSTOMER DRAWING		SCALE 4:1	SHEET 1 OF 1	REV 0														