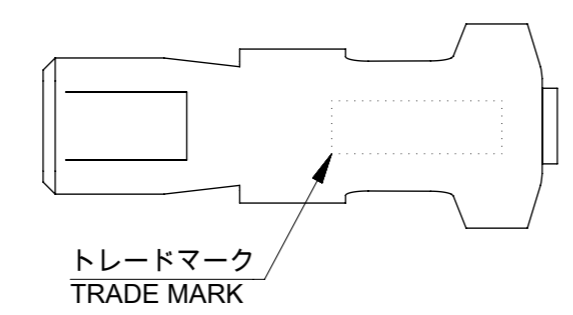
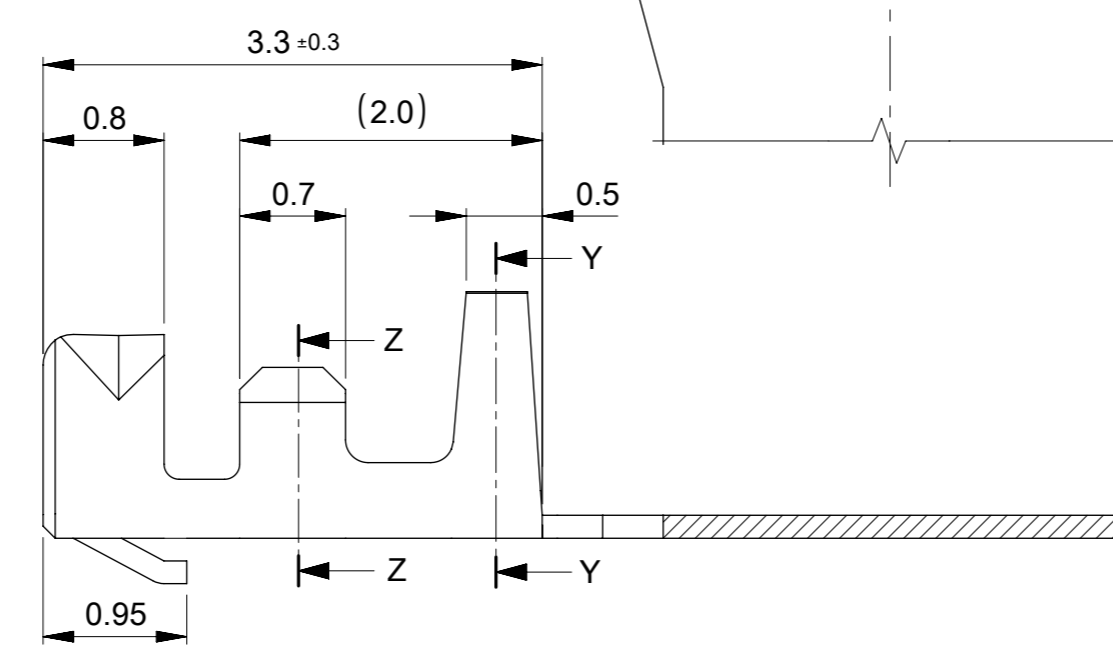
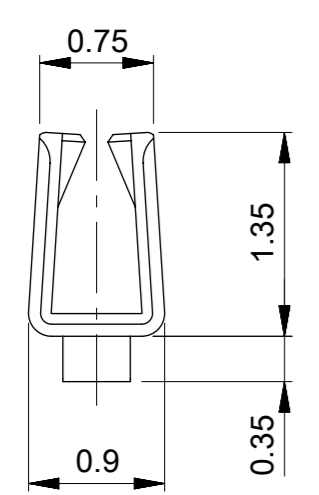
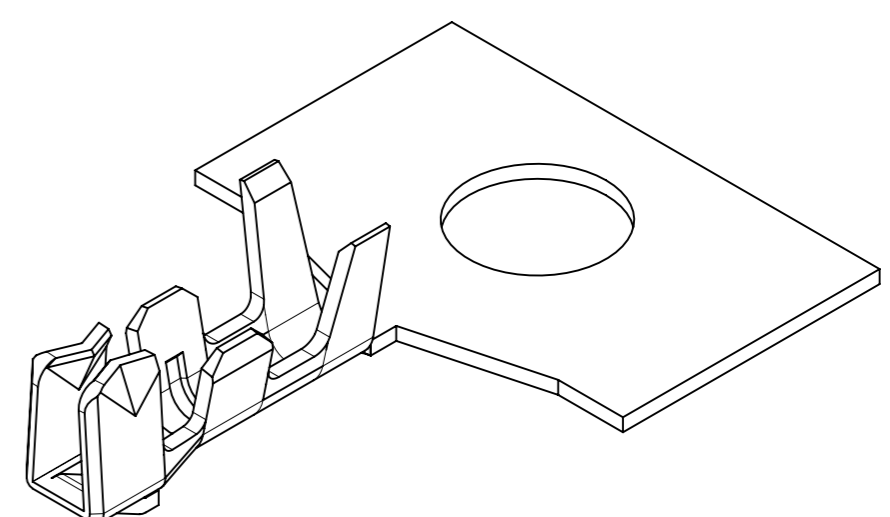
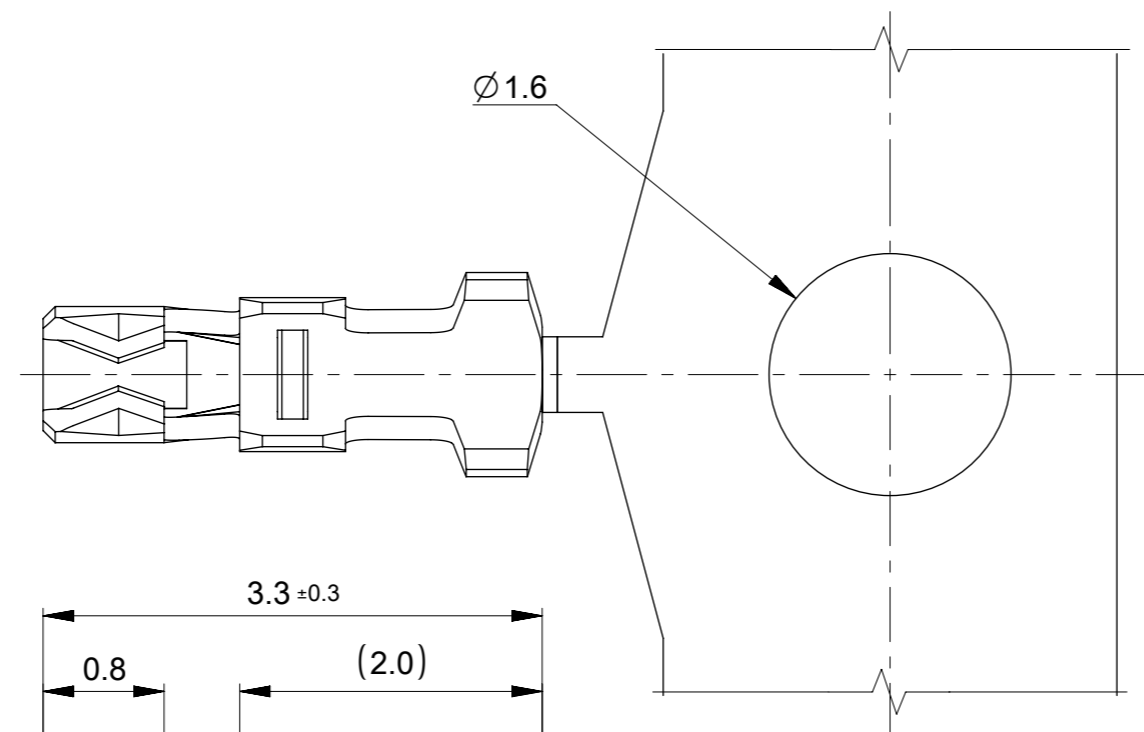
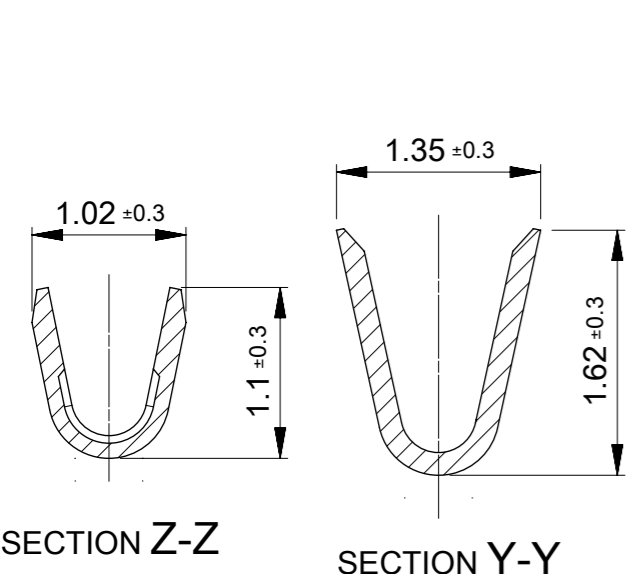


10 9 8 7 6 5 4 3 2 1



NOTE

- 1 材料及び仕上げ(めっき仕様) : TABLE 1 参照
MATERIAL AND FINISHES : SEE TABLE 1
- 2 適合製品および各種仕様書についてはSHEET 2 を参照。
PLEASE REFER TO SHEET 2 FOR APPLICABLE PRODUCTS AND SPECIFICATIONS.
- 3 本製品は金めっき品です。
錫めっき品についてはSD-50079-001を参照ください。
THIS PRODUCT IS GOLD PLATING TYPE.
PLEASE REFER TO SD-50079-001 FOR TIN PLATING TYPE.

1 **TABLE 1**

部品 PART	材質 MATERIAL	
ターミナル TERMINAL	りん青銅 PHOSPHOR BRONZE	
	コンタクト部 CONTACT AREA	金めっき: 表参照 GOLD PLATING: SEE CHART
	下地めっき UNDER PLATING	ニッケルめっき: 1.0 micro-meter MIN NICKEL PLATING: 1.0 micro-meter MIN
DOCUMENT STATUS	P1	RELEASE DATE 2021/05/27 10:21:15

Φ1.04 MAX	AWG#26-28	0.38 micro-meters MIN	リール REEL	連鎖状 CHAIN	500798025
		FLASH			500798020
被覆外径 INS RANGE	適用電線範囲 WIRE RANGE	接点部金めっき厚 PLATING THICKNESS AT CONTACT AREA	梱包形態 PACKING	端子形状 FORM	オーダー番号 ORDER NO

THIS DRAWING CONTAINS INFORMATION THAT IS PROPRIETARY TO MOLEX ELECTRONIC TECHNOLOGIES, LLC AND SHOULD NOT BE USED WITHOUT WRITTEN PERMISSION

DIMENSION UNITS mm	SCALE NTS	CURRENT REV DESC: REVISED		molex		
GENERAL TOLERANCES (UNLESS SPECIFIED)		EC NO: 643451				
ANGULAR TOL	± 3.0 °	DRWN: HHUSSIN 2020/08/04		PRODUCT CUSTOMER DRAWING		
4 PLACES	± 0.2	CHK'D: SAKIYAMA 2021/05/27		DOCUMENT NUMBER		
3 PLACES	± 0.2	APPR: KOMURAKAMI 2021/05/27		500790000-SD		
2 PLACES	± 0.2	INITIAL REVISION:		DOC TYPE	DOC PART	REVISION
1 PLACE	± 0.2	DRWN: SOBARA01 2018/10/18		PSD	000	C
0 PLACES	± 0.2	APPR: TKANEKO 2018/10/30		SHEET NUMBER		
DRAFT WHERE APPLICABLE MUST REMAIN WITHIN DIMENSIONS		THIRD ANGLE PROJECTION	DRAWING	SERIES	MATERIAL NUMBER	CUSTOMER
			A3-SIZE	50079	SEE CHART	GENERAL
						1 OF 2

9 8 7 6 5 4 3 2 1

△ 2 適合製品および各種仕様書
APPLICABLE PRODUCTS AND SPECIFICATIONS

梱包仕様書 PACKING SPECIFICATION	PART NUMBER 50079802*	SPECIFICATION NUMBER SPK-50079-001		
適合ハウジング APPLICABLE HOUSING	SINGLE TYPE			
シリーズ番号 SERIES NO	51021			
適合嵌合相手 MATE WITH	SMT		THROUGH HOLE	
	GOLD PLATING		GOLD PLATING	
	VERTICAL	RIGHT ANGLE	VERTICAL	RIGHT ANGLE
シリーズ番号 SERIES NO	53398	53261	53047	53048
製品仕様書 PRODUCT SPECIFICATION	510210001-PS PS 000		510210000-PS PS 001	510210000-PS PS 000
アプリケーション仕様書(取扱説明書) APPLICATION SPECIFICATION	510210000-AS PS 000			

製品嵌合図は各"適合嵌合相手"図面参照のこと
 MATING VIEW: REFER TO EACH "MATE WITH" PART DRAWING.

THIS DRAWING CONTAINS INFORMATION THAT IS PROPRIETARY TO MOLEX ELECTRONIC TECHNOLOGIES, LLC AND SHOULD NOT BE USED WITHOUT WRITTEN PERMISSION										
DIMENSION UNITS	SCALE	CURRENT REV DESC: REVISED						molex		
mm	NTS							PICOBLADE 1.25 GOLD PLATING AWG26-28 RECEPTACLE CRIMP TERMINAL		
GENERAL TOLERANCES (UNLESS SPECIFIED)										
ANGULAR TOL ± 3.0 °										
4 PLACES ± 0.2										
3 PLACES ± 0.2										
2 PLACES ± 0.2										
1 PLACE ± 0.2										
0 PLACES ± 0.2										
DRAFT WHERE APPLICABLE MUST REMAIN WITHIN DIMENSIONS										
		THIRD ANGLE PROJECTION		DRAWING	SERIES	MATERIAL NUMBER	CUSTOMER		SHEET NUMBER	
				A3-SIZE	50079	SEE CHART	GENERAL		2 OF 2	
				EC NO: 643451		2020/08/04		DOCUMENT NUMBER		
				DRWN: HHUSSIN		2021/05/27		500790000-SD		
				CHK'D: SAKIYAMA		2021/05/27		PSD 000 C		
				APPR: KOMURAKAMI		2021/05/27		PRODUCT CUSTOMER DRAWING		
				INITIAL REVISION:		2018/10/18		REVISION		
				DRWN: SOBARA01		2018/10/30		DOC PART		
				APPR: TKANEKO				000		