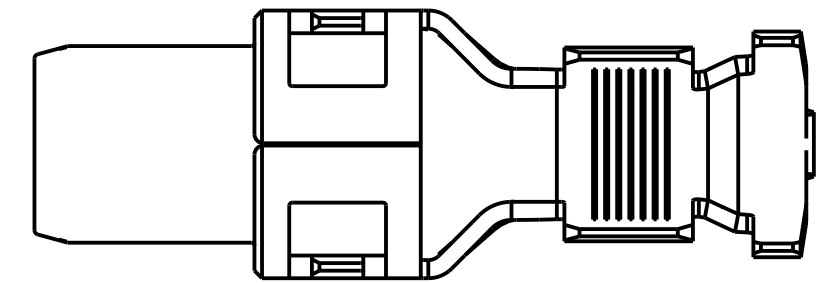
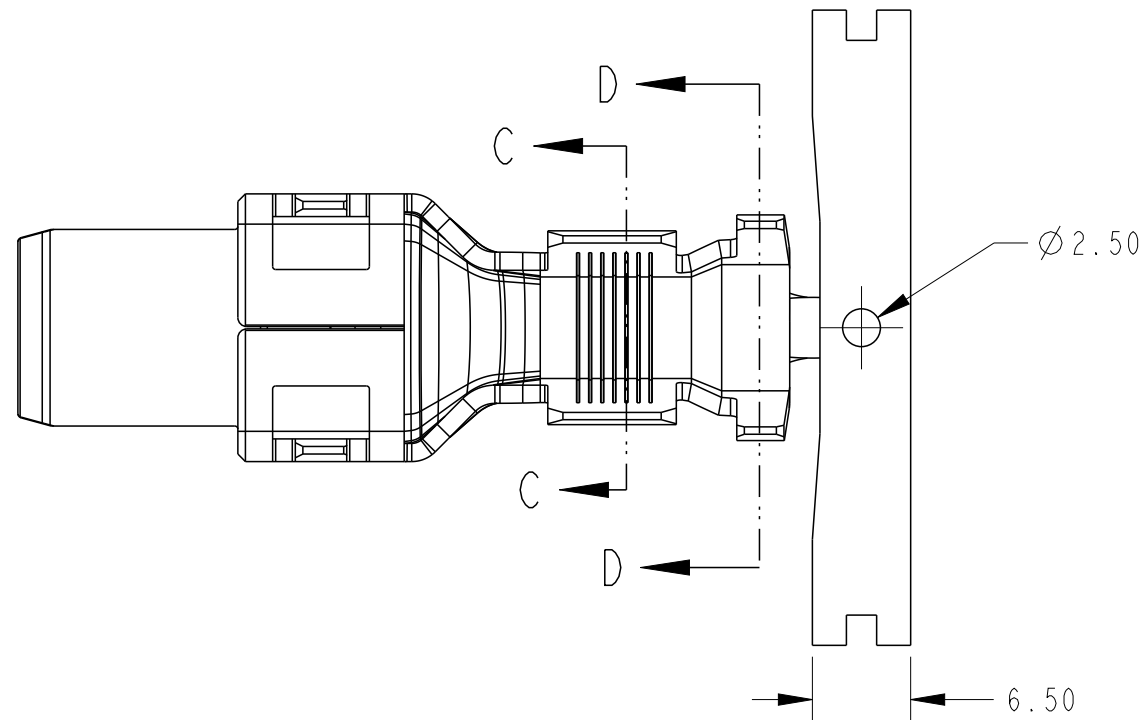
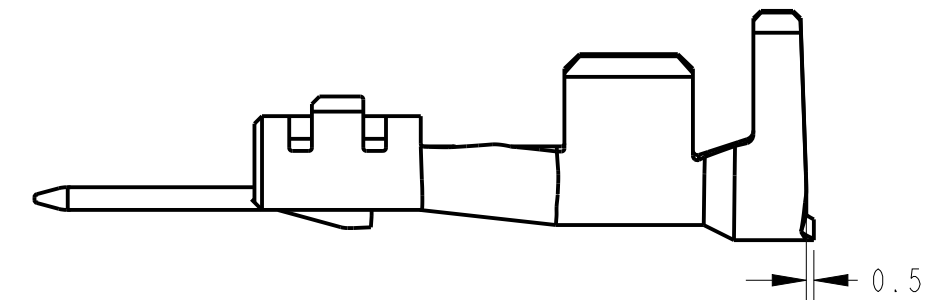


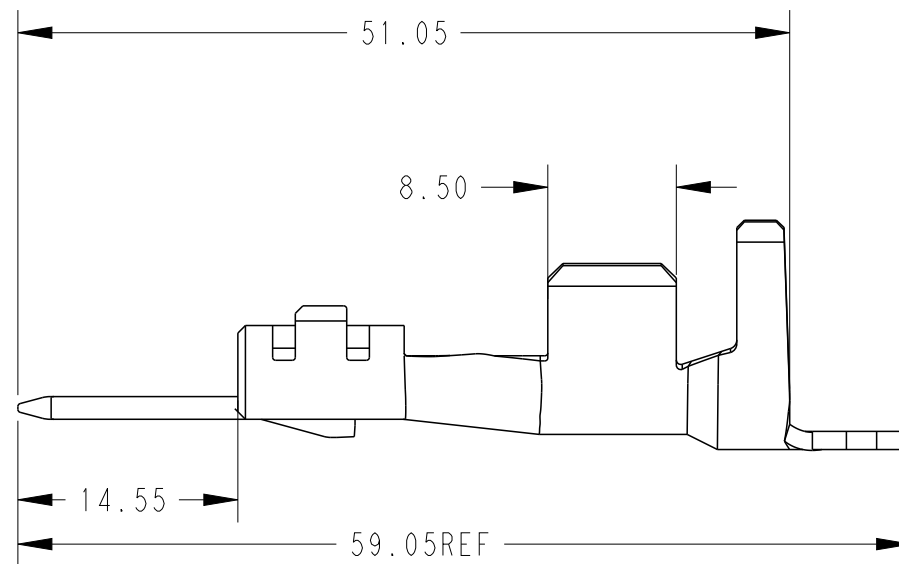
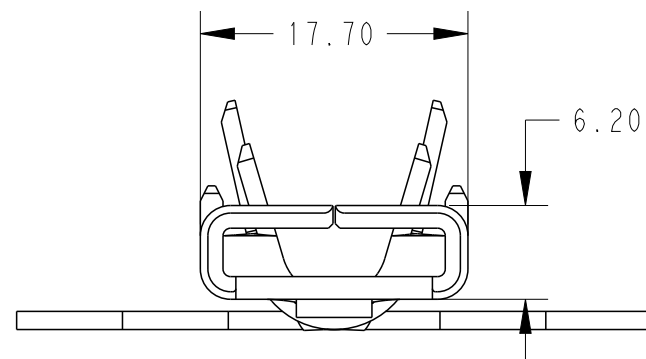
P	LTR	DESCRIPTION	DATE	DWN	APVD
	A	INITIAL	21JUN2020	A.W	R.B
	A1	ADD NEW PN FOR LP	29MAY2023	F.Z	R.B



SCALE 2:1



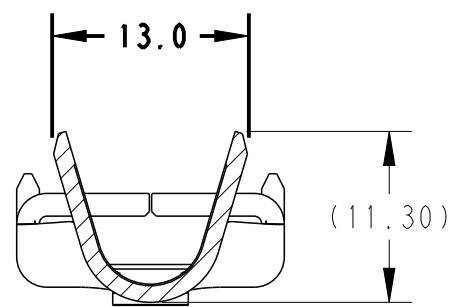
PN: 2351982-6  
(CONTACT W/O CARRIER)



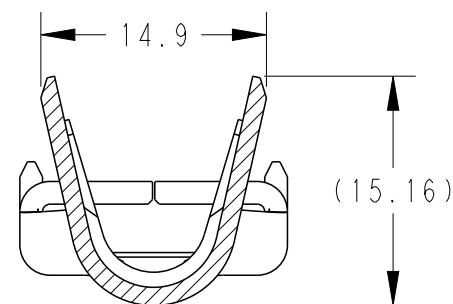
PN: 2351982-5  
(CONTACT WITH CARRIER)

- NOTES
1. MATERIAL: COPPER ALLOY
  2. FINISH: Ag PLATING OVER NICKEL PLATING
  3. APPLICABLE WIRE RANGE: AHHEX 25SQ

DESCRIPTION	MATERIAL	FINISH	PART NUMBER
W/O CARRIER	/	Ag	2351982-6
WITH CARRIER	COPPER ALLOY	Ag	2351982-5



SECTION C-C  
SCALE 2:1



SECTION D-D  
SCALE 2:1

THIS DRAWING IS A CONTROLLED DOCUMENT.

DIMENSIONS:	TOLERANCES UNLESS OTHERWISE SPECIFIED:
mm	
	0 PLC ±
	1 PLC ±0.4
	2 PLC ±0.3
	3 PLC ±
	4 PLC ±
	ANGLES ±
MATERIAL	FINISH
SEE NOTE	SEE NOTE

DWN	ALVIN.W	26MAR2020
CHK	RICK.B	26MAR2020
APVD	RICK.B	26MAR2020
PRODUCT SPEC	108-140254	
APPLICATION SPEC	114-78058	
WEIGHT	16.2	
CUSTOMER DRAWING		

<b>STE</b>		TE Connectivity	
NAME TAB CONTACT DYNAMIC 8000			
SIZE	CAGE CODE	DRAWING NO	RESTRICTED TO
A3	00779	C-2351982	-
SCALE 1:1		SHEET 1 OF 1	REV A1