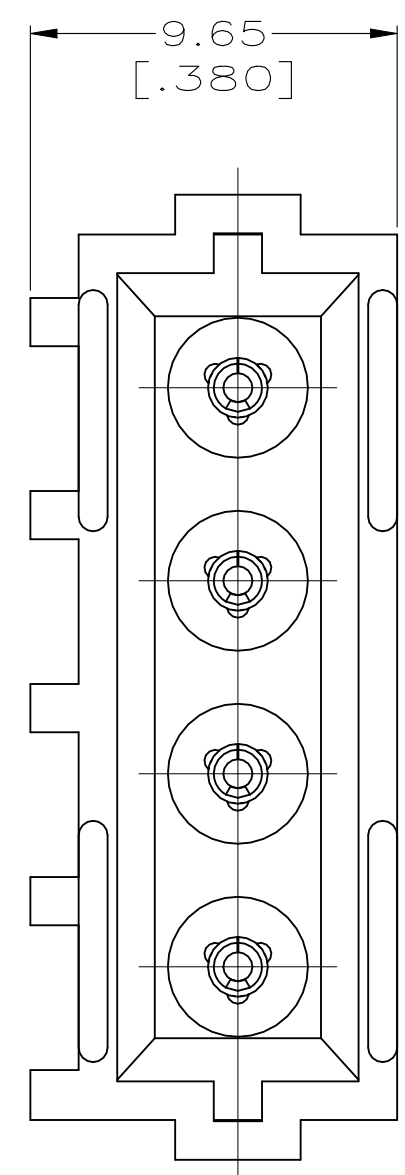
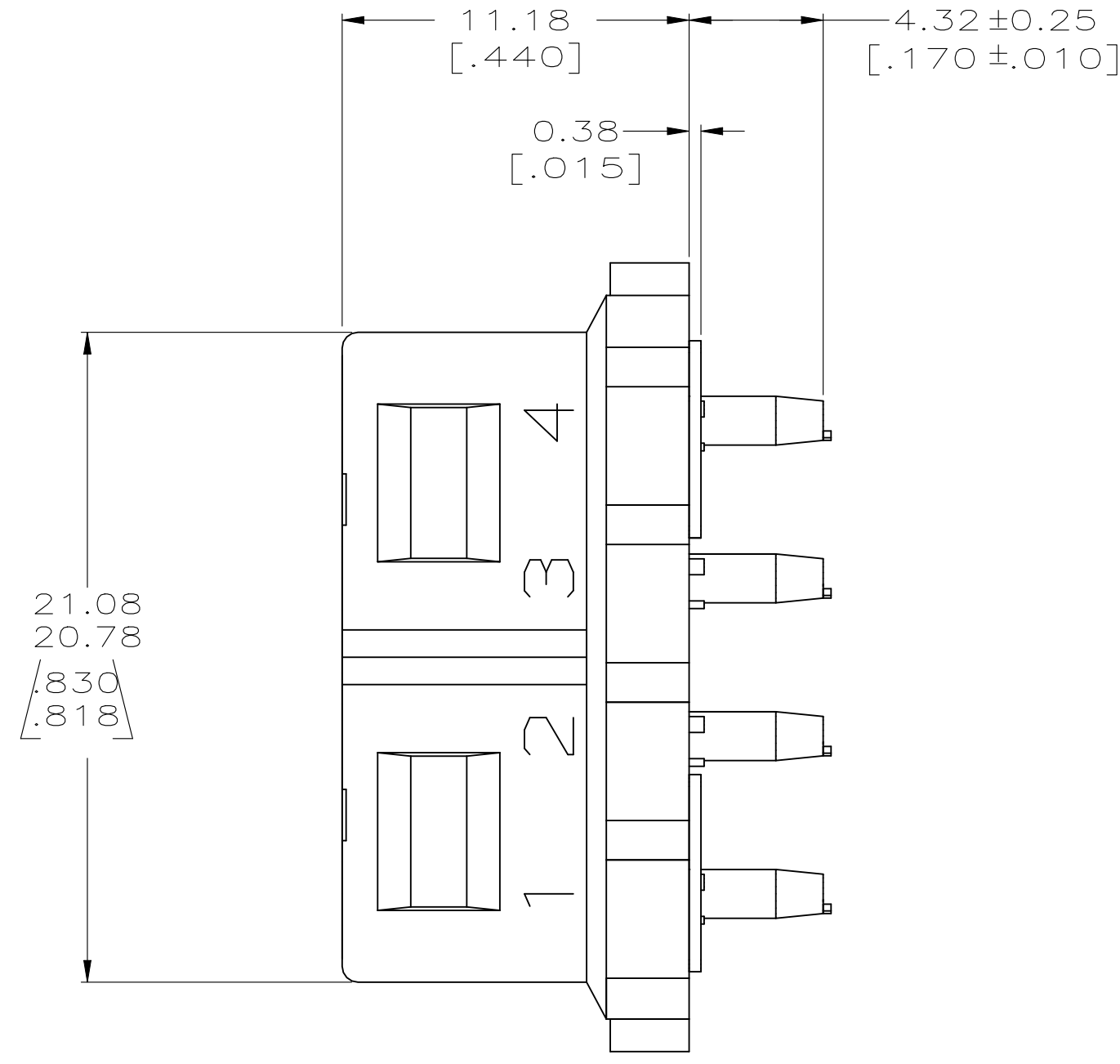
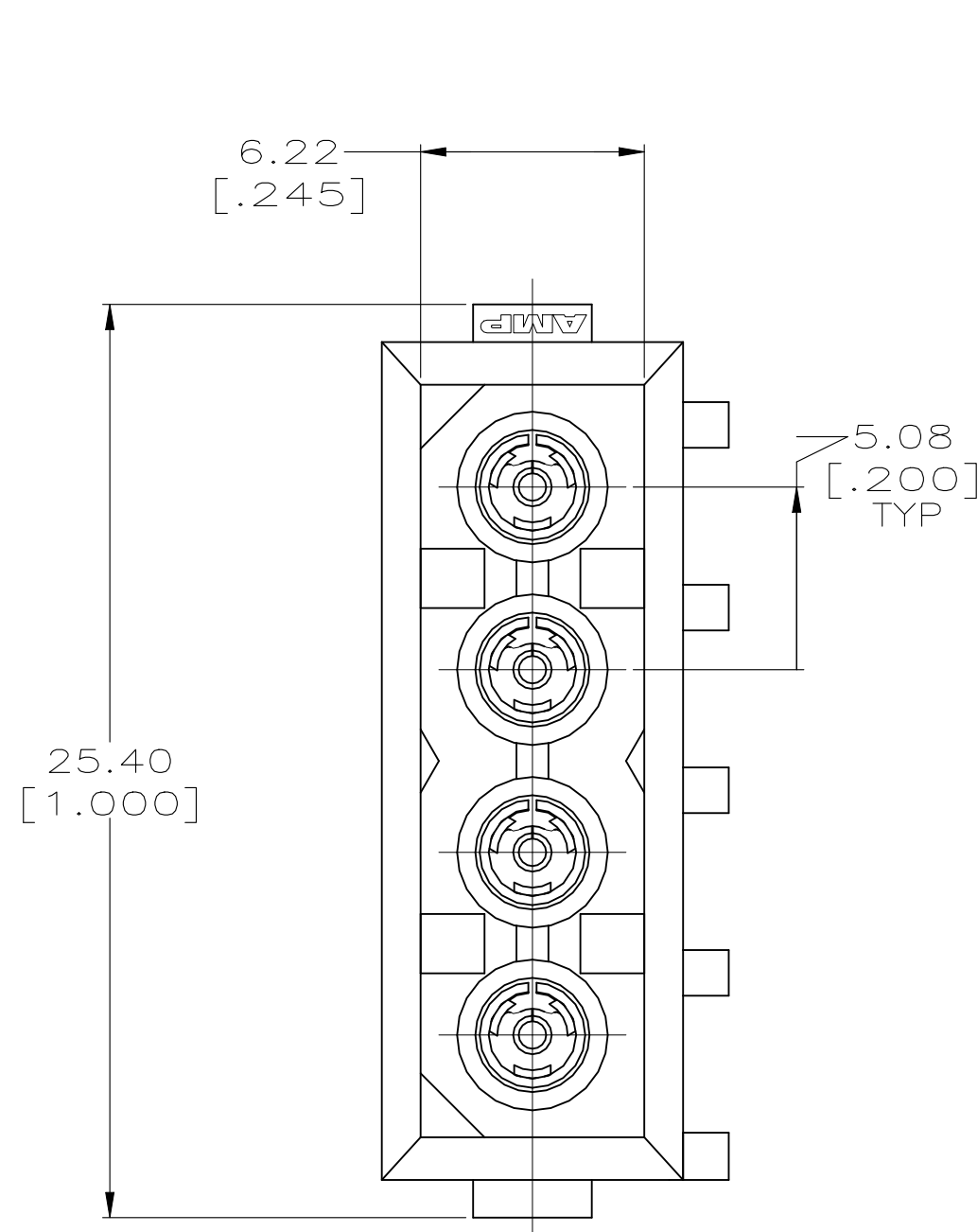
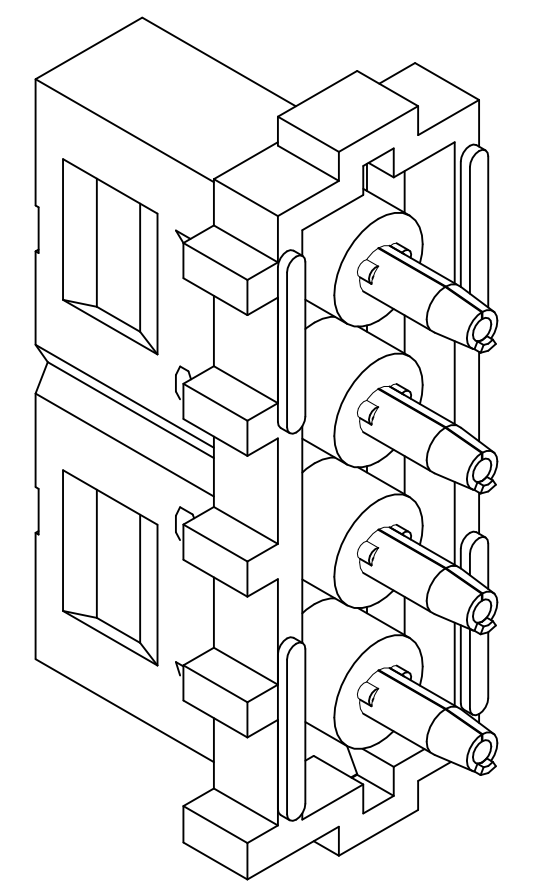


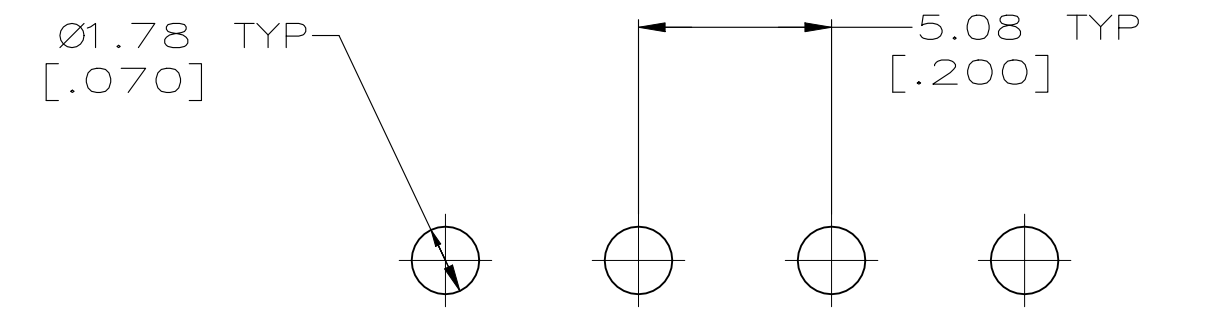
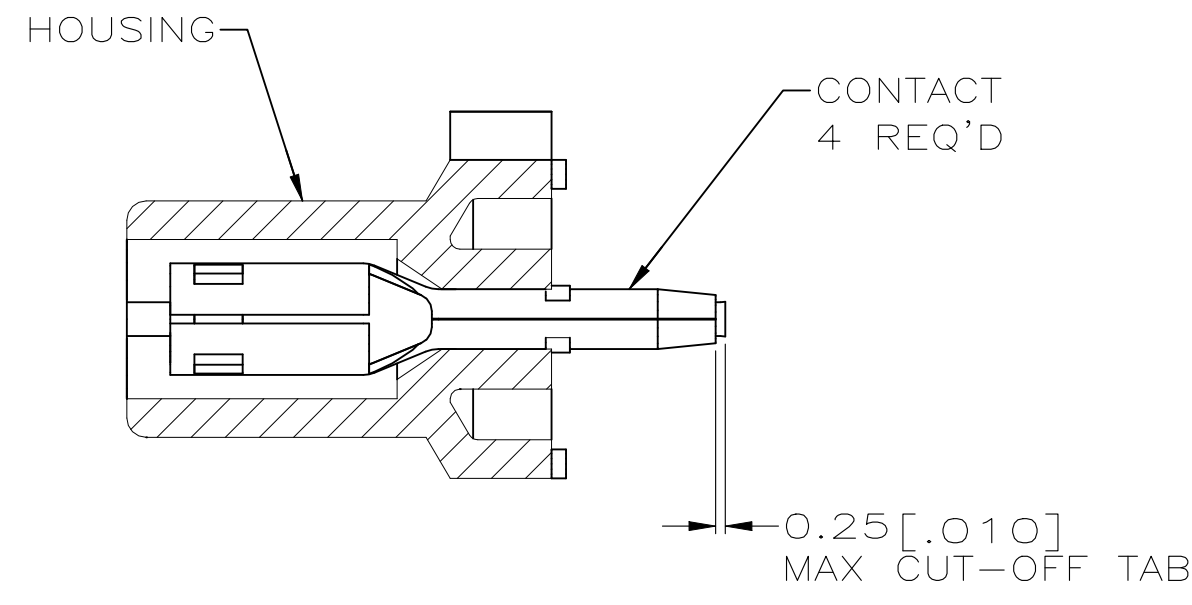
REVISIONS					
P	LTR	DESCRIPTION	DATE	DWN	APVD
A		REVISED PER ECR-21-117185	22OCT2021	PJ	VS



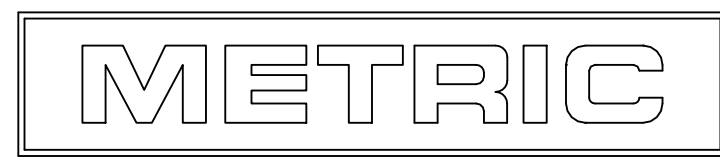
- PARTS MUST COMPLY WITH AMP SOLDERABILITY SPEC. 109-11-5.
- DIMENSIONS IN BRACKETS ARE IN INCHES.
- PART IS SURFACE MOUNT COMPATIBLE.
- DIMENSION SHOWN REPRESENT PRODUCT IN DRY CONDITION. ADDITIONAL 2% GROWTH DUE TO END USE LOCATION MOISTURE ABSORPTION MAY OCCUR AND SHOULD BE ACCOUNTED FOR.



3-DIMENSIONAL MODEL
NTS



RECOMMENDED MOUNTING HOLE PATTERN FOR 1.57 [.062] THICK P.C. BOARD



PH BRZ	PRE-TIN	NYLON, UL94V-2	BLACK	794287-1
MATERIAL	FINISH	MATERIAL	COLOR	PART NO
PIN		HOUSING		
THIS DRAWING IS A CONTROLLED DOCUMENT.		DWN K. WHITAKER 3-05-97	AMP Incorporated Harrisburg, PA 17105-3608	
DIMENSIONS: mm [INCHES]		CHK R. SWING 3-05-97	NAME SOCKET HEADER ASSEMBLY, 4 CIRCUIT, COMMERCIAL MATE-N-LOK™	
TOLERANCES UNLESS OTHERWISE SPECIFIED: 0 PLC ±- 1 PLC ±- 2 PLC ±0.13[.005] 3 PLC ±- 4 PLC ±- ANGLES ±0° 30'		APVD C. MARTIN 3-05-97	PRODUCT SPEC	
MATERIAL SEE TABLE		APPLICATION SPEC		RESTRICTED TO
FINISH SEE TABLE		WEIGHT -		SIZE A2
		CAGE CODE 00779		DRAWING NO 794287
		CUSTOMER DRAWING		SCALE 5:1
		SHEET 1 OF 1		REV A