



Main

Range of Product	Harmony Solid State Relays
Product or Component Type	Lug
Accessory / separate part category	Mounting accessory
Accessory / separate part destination	SSP1 solid state relay

Complementary

Material	Copper
AWG gauge	AWG 6...AWG 1/0
Tightening torque	11.51...15.05 lbf.in (1.3...1.7 N.m)
Wire clamp screw torque	20.36 lbf.in (2.3 N.m)
Net Weight	0.07 lb(US) (0.033 kg)
Sale per indivisible quantity	10

Ordering and shipping details

Category	22375 - INTERFACE MODULE(ABA,R,S)
Discount Schedule	CP2
GTIN	3606485442204
Nbr. of units in pkg.	1
Package weight(Lbs)	1.27 oz (36 g)
Returnability	No
Country of origin	MX

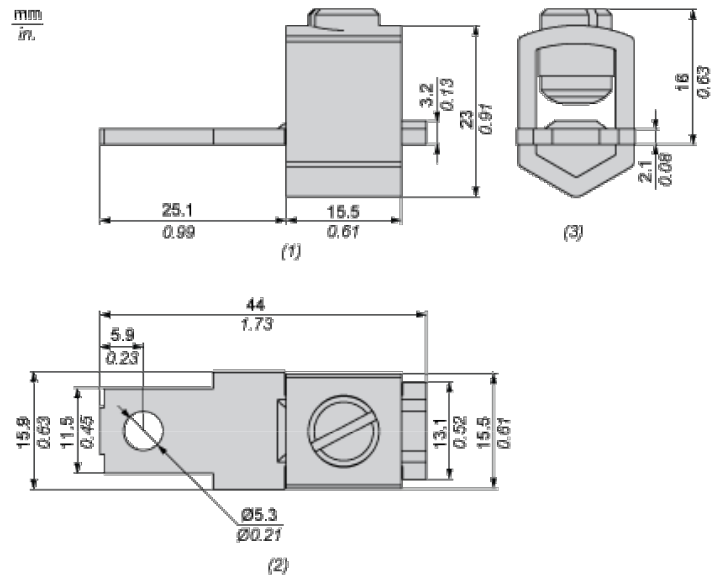
Packing Units

Unit Type of Package 1	PCE
Package 1 Height	0.20 in (0.5 cm)
Package 1 width	0.08 in (0.2 cm)
Package 1 Length	0.12 in (0.3 cm)
Unit Type of Package 2	BB1
Number of Units in Package 2	10
Package 2 Weight	12.77 oz (362 g)
Package 2 Height	1.57 in (4 cm)
Package 2 width	3.31 in (8.4 cm)
Package 2 Length	4.72 in (12 cm)
Unit Type of Package 3	S01
Number of Units in Package 3	90
Package 3 Weight	7.81 lb(US) (3.544 kg)
Package 3 Height	5.91 in (15 cm)
Package 3 width	5.91 in (15 cm)
Package 3 Length	15.75 in (40 cm)

Offer Sustainability

REACH Regulation	REACH Declaration
EU RoHS Directive	Compliant EU RoHS Declaration
Toxic heavy metal free	Yes
Mercury free	Yes
RoHS exemption information	Yes
China RoHS Regulation	China RoHS Declaration
WEEE	The product must be disposed on European Union markets following specific waste collection and never end up in rubbish bins.

Dimensions



- (1) Front view
- (2) Top view
- (3) Side view