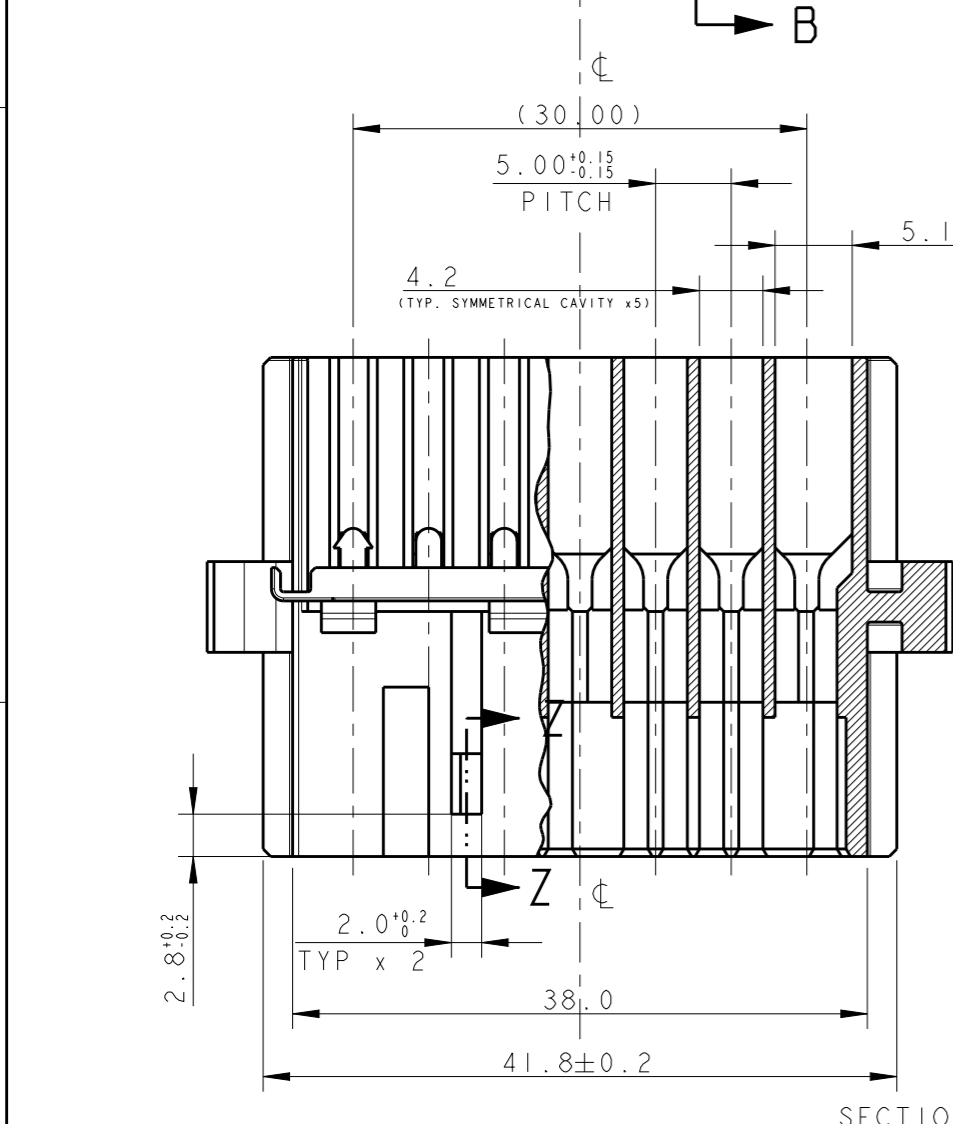
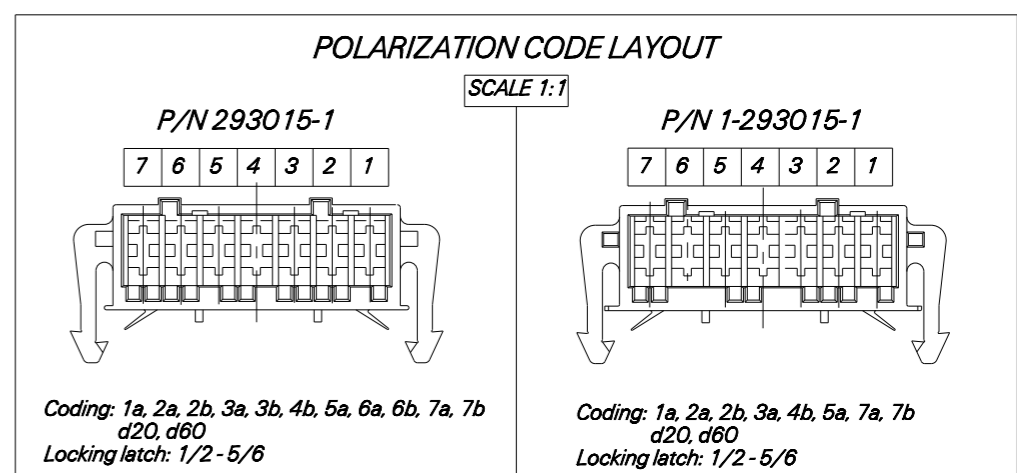
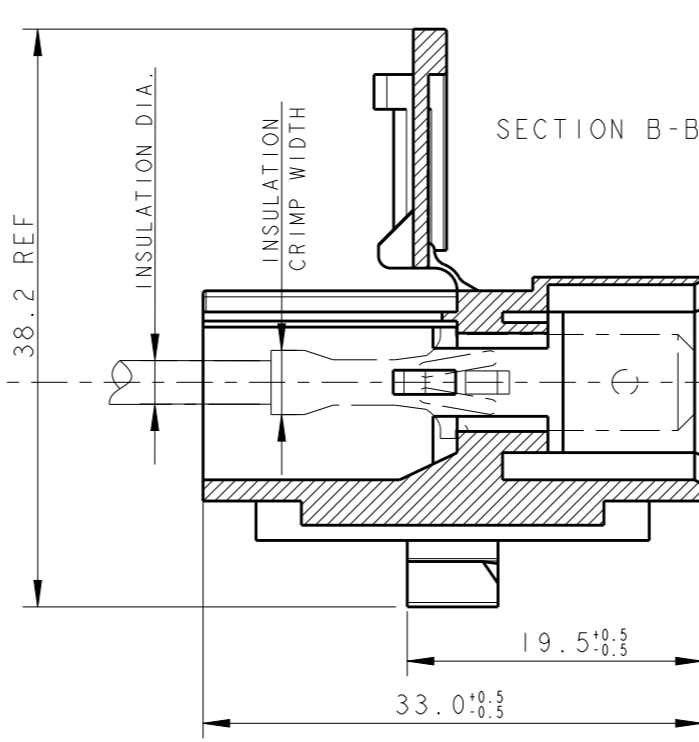
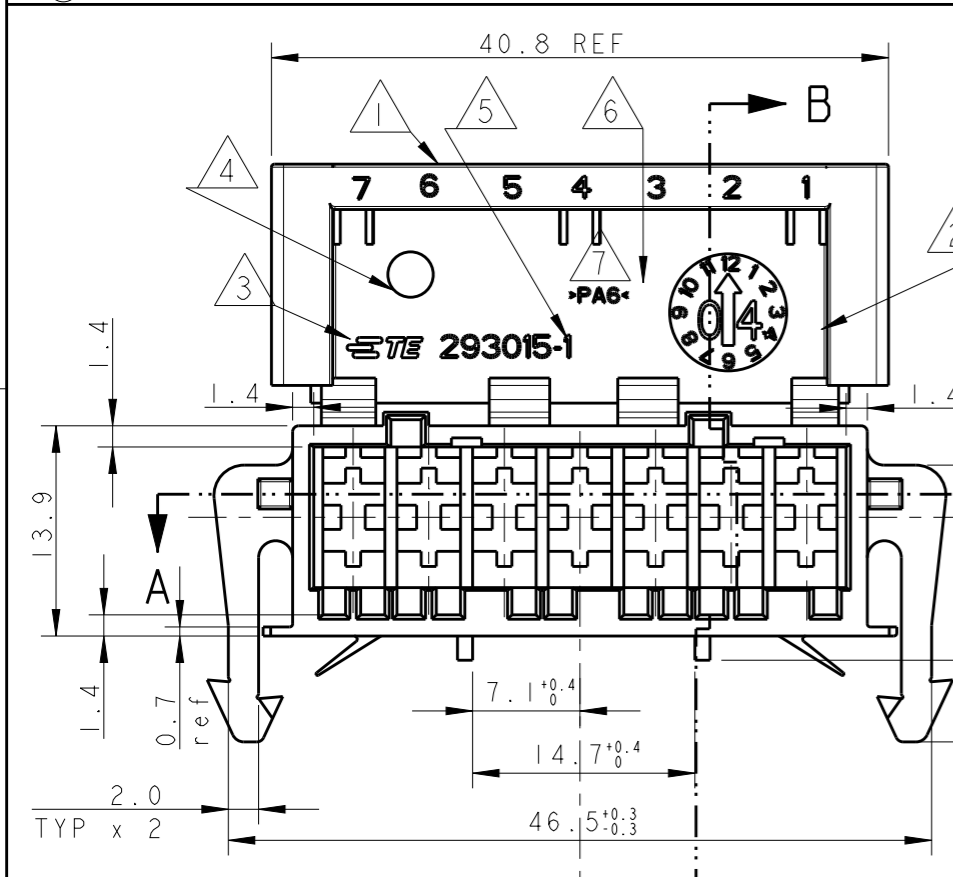
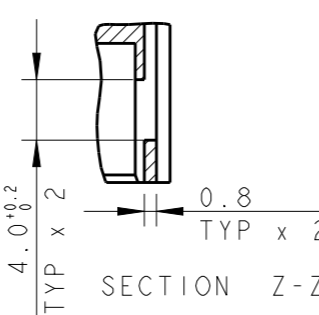
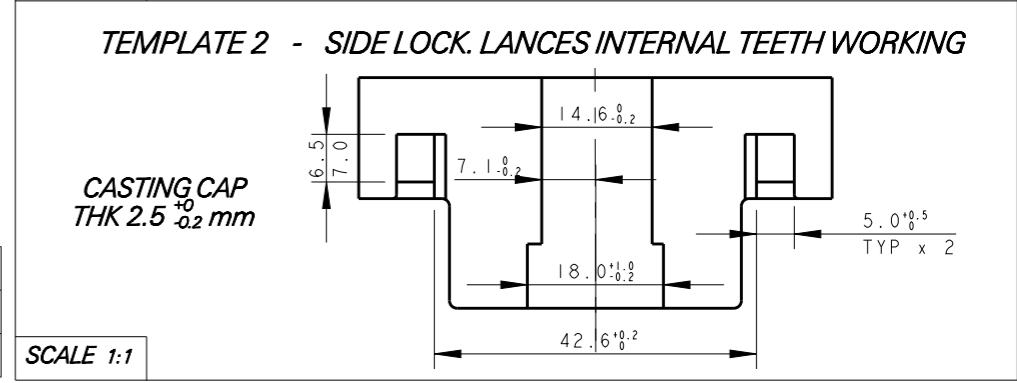
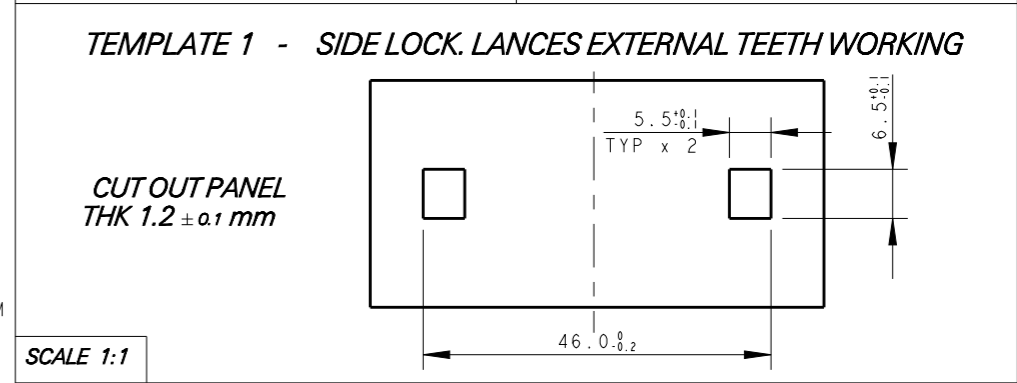


LOC	DIST	REVISIONS			
P	LTR	DESCRIPTION	DATE	DWN	APVD
		C	ADDED RIB, ECR-07-02275	05FEB2008	HY GT
		C1	ECR-16-008957	21JUN2016	KD RR
		C2	ECR-16-010726	29JUL2016	KD RR
		C3	ECR-16-012006	29AUG2016	KD RR



- NOTES:
- ① CIRCUIT IDENTIFICATION NUMBERS 1 TO 7, BOTH SIDES
 - ② DATE CODE
 - ③ TRADEMARK
 - ④ MOULD CAVITY IDENTIFICATION
 - ⑤ TE - AMP P/N
 - ⑥ RAW MATERIAL CODE
 - ⑦ MATERIAL: PA6 UNFILLED NATURAL COLOR, ACCORDING TO IEC 60335-1 NORM
- 8) CONNECTOR HOUSING SUITABLE FOR MATING WITH:
 (PROPERLY CODED WITH RELEVANT APPLICATION MACHINE)
- AMP MONOSHAP Mark I TAB CONNECTOR, P/N 1-293004-7
 - AMP MULTIFITTING Mark I TAB CONNECTOR, P/N 0-928103-7
 - AMP MULTIFITTING Mark II TAB CONNECTOR, P/N 0-1241170-7
- 9) CAVITIES SUITABLE FOR .250" SERIES FAST-IN-ON TAB CONTACT ACCORDING TO NORM "DIN 46 343"
 MAX INS. DIA.: 2.8 mm; MAX INS. CRIMP WIDTH: 3.3 mm
- 10) HOOD TYP. THK.: 1.4 mm (EXCEPT AS PER SEC. Z-Z - DETAIL -)
- ⑧ PRELIMINARY - NOT YET PRODUCTION

REV.	Tyco P/N
C	293015-1
C	1-293015-1



P/N 293015-1 AS SHOWN

THIS DRAWING IS A CONTROLLED DOCUMENT FOR TYCO ELECTRONICS CORPORATION. IT IS SUBJECT TO CHANGE AND THE CONTROLLING ENGINEERING ORGANIZATION SHOULD BE CONTACTED FOR THE LATEST REVISION.

DIMENSIONS:	TOLERANCES UNLESS OTHERWISE SPECIFIED:	DWN	23FEB2004	 TE Connectivity
mm	0 PLC ±	U. AIME	23FEB2004	
	1 PLC ±0.3	CHK	G. TURCO	
	2 PLC ±	APVD	G. TURCO	
	3 PLC ±	PRODUCT SPEC	108-20247	NAME
	4 PLC ±	APPLICATION SPEC	-	SIZE
	ANGLES ±°	WEIGHT	-	CAGE CODE
MATERIAL	FINISH	CUSTOMER DRAWING	-	DRAWING NO
⑦	-			RESTRICTED TO

SCALE 1:1 SHEET 1 OF 2 REV C3

4

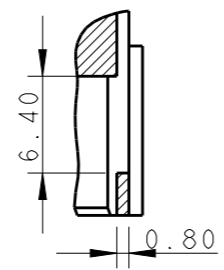
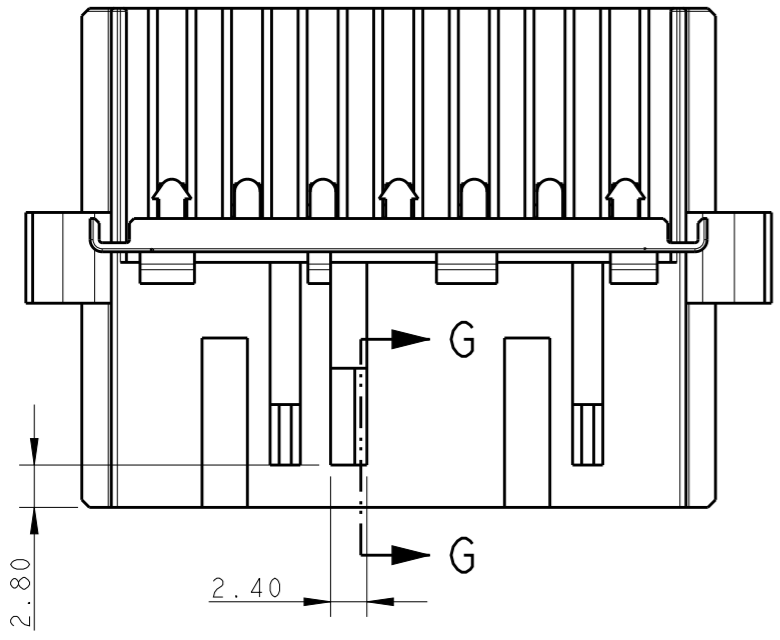
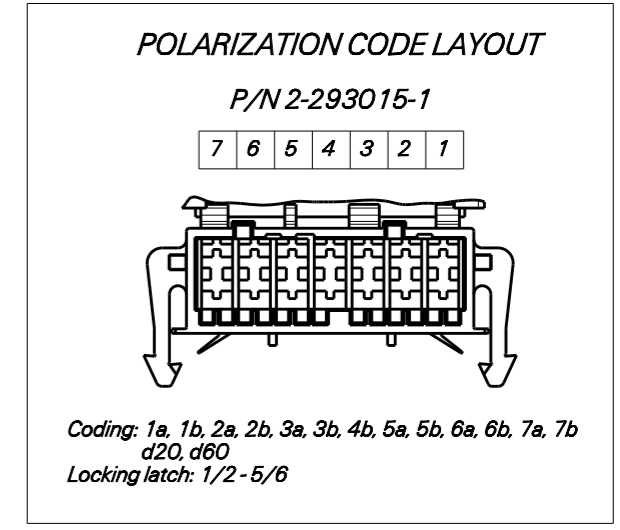
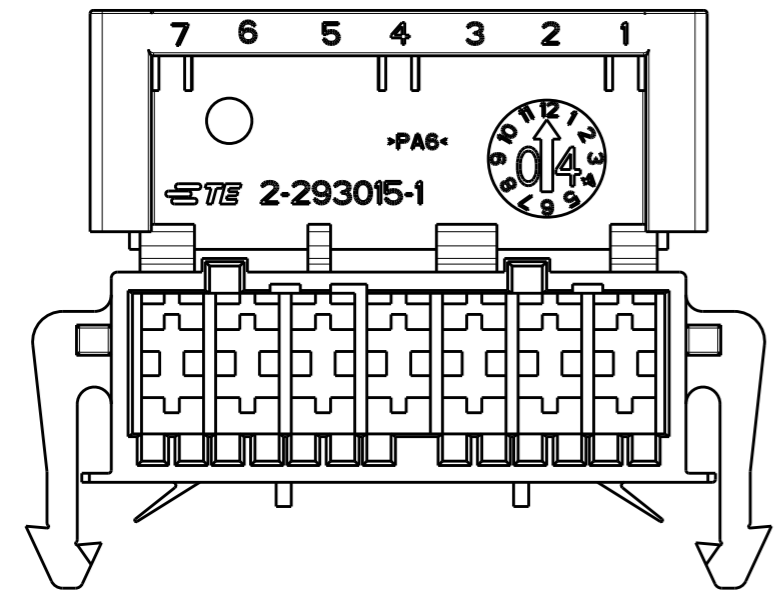
3

2

1

THIS DRAWING IS UNPUBLISHED. RELEASED FOR PUBLICATION 2003
 © COPYRIGHT 2003 BY TYCO ELECTRONICS CORPORATION. ALL RIGHTS RESERVED.

LOC	DIST	REVISIONS					
		P	LTR	DESCRIPTION	DATE	DWN	APVD
		-		SEE SHEET 1	-	-	-



SECTION G - G

P/N 2-293015-1 AS SHOWN
 ONLY FOR 2-293015-1
 OTHER DIMENSIONS NEED TO FOLLOW SHEET 1

REV.	TE P/N
C	2-293015-1

<small>THIS DRAWING IS A CONTROLLED DOCUMENT FOR TYCO ELECTRONICS CORPORATION. IT IS SUBJECT TO CHANGE AND THE CONTROLLING ENGINEERING ORGANIZATION SHOULD BE CONTACTED FOR THE LATEST REVISION.</small>		DWN U. AIME 23FEB2004 CHK G. TURCO 23FEB2004 APVD G. TURCO 23FEB2004		TE Connectivity	
DIMENSIONS: mm 		TOLERANCES UNLESS OTHERWISE SPECIFIED: 0 PLC ±- 1 PLC ±0.3 2 PLC ±- 3 PLC ±- 4 PLC ±- ANGLES ±1°			
MATERIAL SEE NOTE 		FINISH - WEIGHT -		SIZE A3 CAGE CODE 00779 DRAWING NO. C-293015 RESTRICTED TO -	
CUSTOMER DRAWING				SCALE 2:1 SHEET 2 OF 2 REV C3	