



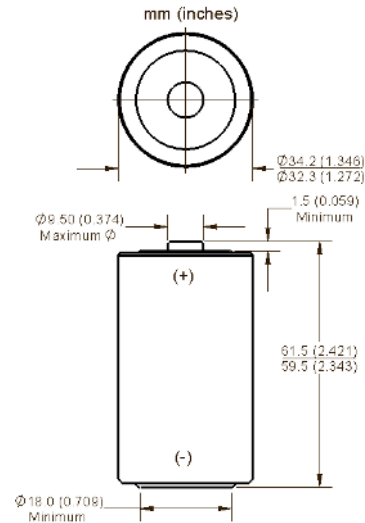
Rayovac Stock Number: 813, 813 OEM

Name: 13A/AC D Fusion Alkaline Battery

Specifications

Chemistry:	Alkaline (Zinc-Manganese Dioxide)
Designation:	ANSI – 13A/AC, IEC – LR20
Nominal Voltage:	1.5 volts
Approximate Weight:	4.7 Oz (133.6 grams)
Approximate Volume:	3.0 CU IN (48.9 cc)
Operating Temp:	-30°C to 55°C (-20°F to 130°F)
Shelf Life:	10 years at 21°C
Terminals:	Flat Contact
Case material:	Plastic Film
Environmental:	No mercury added formulation. Meets Environmental Protection Agency (EPA) requirements for landfill disposal. Rayovac Material Safety Sheets

IEC Standard Dimensions



Typical Service Life – ANSI Application Tests

Application and Duty Cycle	Discharge Load	Service
Stereo 2 hr/day	600 mA	17.7 hours
Lighting 1 4 min/15 min, 8 hr/day	1.5 Ω	15.4 hours
Toy 1 hr/day	3.9 Ω	25.7 hours
Radio 4 hr/day	10 Ω	123.9 hours
Lighting 2 4 min/hr, 8 hr/day	2.2 Ω	25.3 hours

Discharge Curves (Continuous Load)

