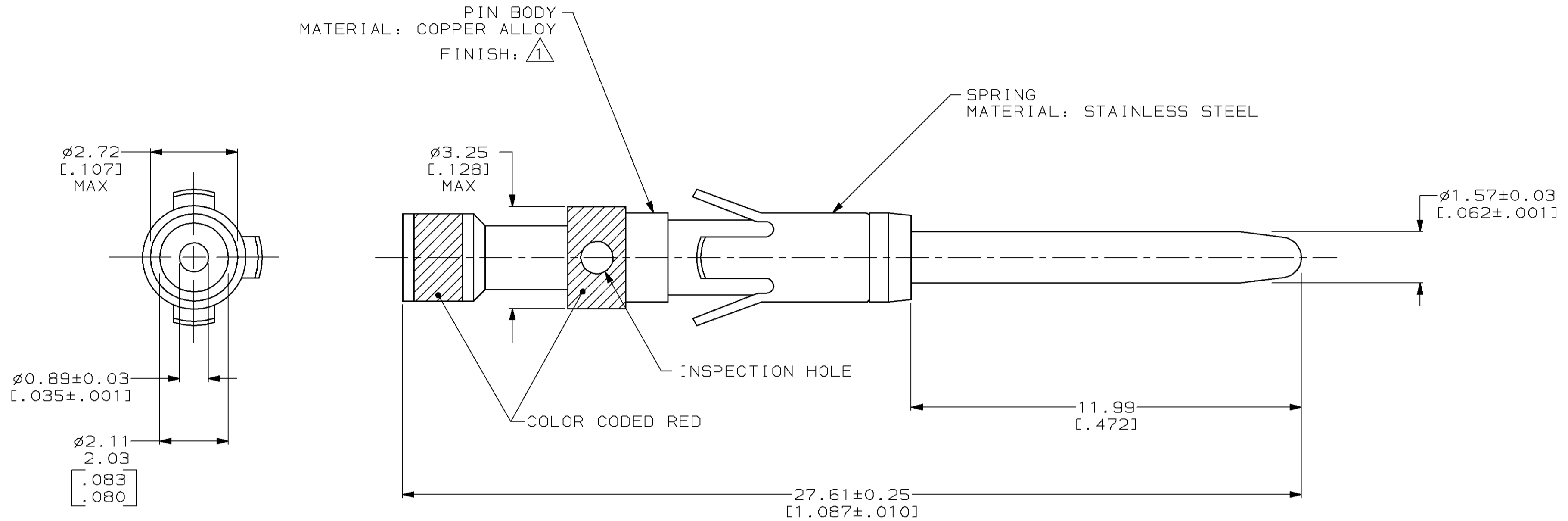


THIS DRAWING IS UNPUBLISHED. RELEASED FOR PUBLICATION  
 BY AMP INCORPORATED. ALL RIGHTS RESERVED.

LOC		DIST		REVISIONS			
P	LTR	DESCRIPTION	DATE	DWN	APVD		
FT	8	S	REDRAWN W/O CHANGE PER EC 0320-98-96	20 NOV 97	-	-	



$\triangle 1$  0.76 $\mu$ m [.000030] MIN GOLD OVER 1.27 $\mu$ m [.000050] MIN NICKEL.

201334-1  
 PART NUMBER

THIS DRAWING IS A CONTROLLED DOCUMENT.		DWN	B. CARBO	20 NOV 97	AMP Incorporated Harrisburg, PA 17105-3608																										
DIMENSIONS:		CHK	R. STONE	09 DEC 97																											
mm [INCHES]		APVD	G. STEINHAUER	16 DEC 97																											
<table border="1"> <tr><td>0</td><td>PLC</td><td><math>\pm</math></td><td>-</td></tr> <tr><td>1</td><td>PLC</td><td><math>\pm</math></td><td>-</td></tr> <tr><td>2</td><td>PLC</td><td><math>\pm 0.13</math></td><td>[.005]</td></tr> <tr><td>3</td><td>PLC</td><td><math>\pm</math></td><td>-</td></tr> <tr><td>4</td><td>PLC</td><td><math>\pm</math></td><td>-</td></tr> <tr><td colspan="2">ANGLES</td><td><math>\pm</math></td><td>-</td></tr> <tr><td colspan="2">FINISH</td><td><math>\pm</math></td><td>-</td></tr> </table>		0	PLC	$\pm$		-	1	PLC	$\pm$	-	2	PLC	$\pm 0.13$	[.005]	3	PLC	$\pm$	-	4	PLC	$\pm$	-	ANGLES		$\pm$	-	FINISH		$\pm$	-	NAME
0	PLC	$\pm$	-																												
1	PLC	$\pm$	-																												
2	PLC	$\pm 0.13$	[.005]																												
3	PLC	$\pm$	-																												
4	PLC	$\pm$	-																												
ANGLES		$\pm$	-																												
FINISH		$\pm$	-																												
MATERIAL		PRODUCT SPEC	CONTACT ASSEMBLY, PIN, #16, 24-28AWG, TYPE II																												
SEE CALLOUTS		APPLICATION SPEC	SIZE	CAGE CODE	DRAWING NO																										
		WEIGHT	A2	00779	201334																										
		CUSTOMER DRAWING	SCALE	10:1	SHEET 1 OF 1																										
			REV	5																											