



MEAS DETECTOR ASSEMBLY EPM-4001

SpO₂ Optical Sensor Component

- ◆ Silicon Photodiode
- ◆ Lead Frame Construction
- ◆ Pulse Oximetry Component

Low oxygen level can put a strain on cell functioning including the heart and brain. This is critical in acute medical situations like post-op recovery. TE Connectivity's SpO₂ optical components provide leading accuracy in oxygen level detection.

With more than 27 years of proven reliability and expertise, TE Connectivity (TE) has designed SpO₂ sensors with best-in-class flexibility to accommodate multiple wavelength options.

Our ability to provide both components and complete sensor packages makes us a leading choice for pulse oximetry applications that require high degrees of precision, durability and performance.

The EPM-4001 detector assembly uses a silicon planar diffused photodiode specially designed for medical applications. It features high efficiency and fast response. The EPM-4001 detector assembly is spectrally matched to emitter assemblies ELM-4001, ELM-4002 and ELM-4003.

MEAS DETECTOR ASSEMBLY EPM-4001

SpO₂ Optical Sensor Component

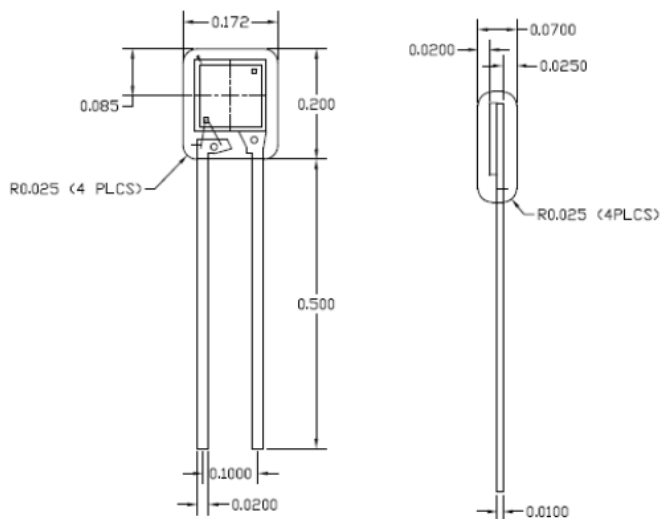
Features

- ◆ Lead Frame Construction
- ◆ Fast Response
- ◆ Matched to 660nm Emitters
- ◆ High Efficiency
- ◆ Clear Epoxy Lens
- ◆ Compact Package
- ◆ Active Area: 8.07mm²

Applications

- ◆ Pulse Oximetry
- ◆ SpO₂ Finger/Ear Reusable Probes
- ◆ SpO₂ Disposable Strip or Butterfly Probes

Dimensions (ELM-4001)

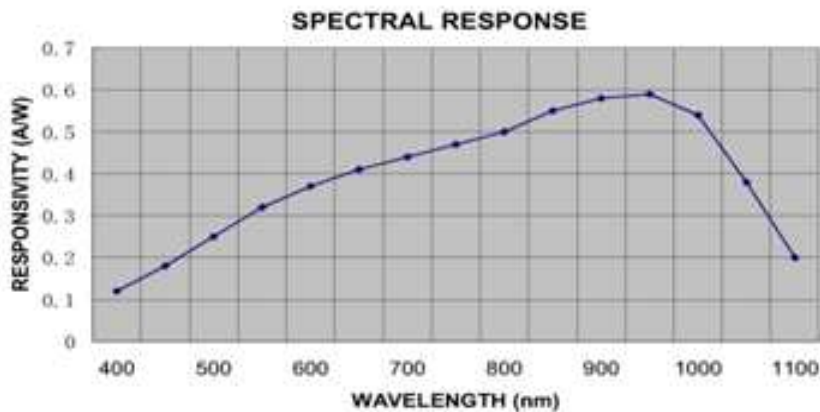


Specifications and Ratings

Parameter @ 25°C	Symbol	Conditions	Min.	Typ.	Max.	Absolute	Unit
Power Dissipation	P _d					150	mW
Operating Temperature	T _{opr}					-25~+80	°C
Storage Temperature	T _{stg}					-40~+80	°C
Soldering Temperature	T _{sol}					260	°C
Forward Voltage	V _f	I _r =100μA			0.70		V
Reverse Voltage	V _r	I _r =100μA	50				V
Shunt Resistance	R _{sh}	±10mV	40				MΩ
Capacitance	C _t	V _R =5V, f=1MHz		19			pF
Spectral Sensitivity	λ		400		1080		nm
Rise Time/Fall Time	T _r /T _f	V _r =0V, R _I =50Ω			350		nSec
Responsivity	R	λ =540nm	0.28				A / W
Temp. Coef. Of I _{sc}	β _t				0.18		%

MEAS DETECTOR ASSEMBLY EPM-4001

SpO₂ Optical Sensor Component



Ordering Information

Description	Model	Part Number
Detector Assembly; Lead Frame; 8.07 mm ²	EPM-4001	20-0696

NORTH AMERICA

Measurement Specialties, Inc.,
a TE Connectivity Company
Tel: 800-522-6752
customercare.ando@te.com

EUROPE

Measurement Specialties (Europe), Ltd.,
a TE Connectivity Company
Tel: 800-440-5100
customercare.tlse@te.com

ASIA

Measurement Specialties (China), Ltd.,
a TE Connectivity Company
Tel: 0400-820-6015
customercare.shzn@te.com

TE.com/sensorsolutions

© 2017 TE Connectivity. All rights reserved.

TE Connectivity, TE connectivity (logo), Measurement Specialties, and MEAS are trademarks. Other logos, product and company names mentioned herein may be trademarks of their respective owners.

The information given herein, including drawings, illustrations and schematics which are intended for illustration purposes only, is believed to be reliable. However, TE Connectivity makes no warranties as to its accuracy or completeness and disclaims any liability in connection with its use. TE Connectivity's obligations shall only be as set forth in TE Connectivity's Standard Terms and Conditions of Sale for this product and in no case will TE Connectivity be liable for any incidental, indirect or consequential damages arising out of the sale, resale, use or misuse of the product. Users of TE Connectivity products should make their own evaluation to determine the suitability of each such product for the specific application.

© 2017 TE Connectivity. All Rights Reserved.