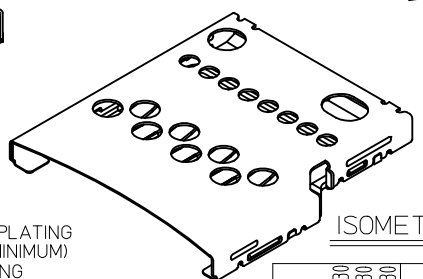
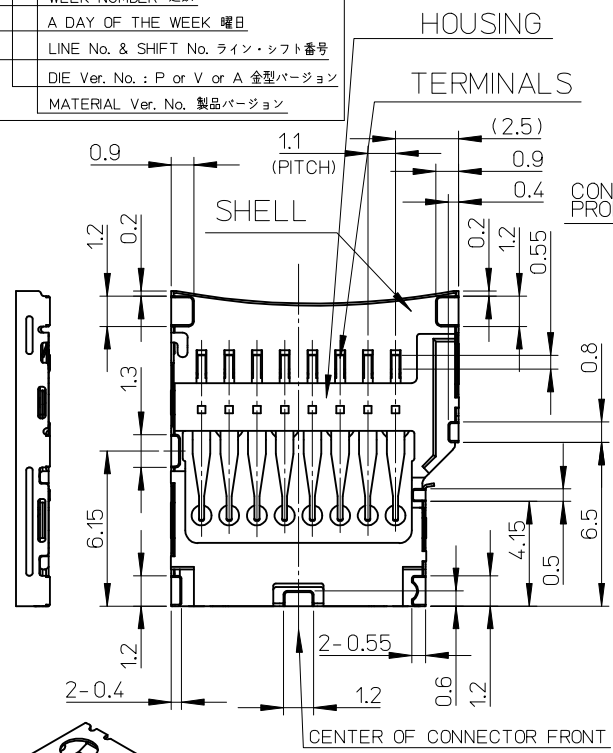


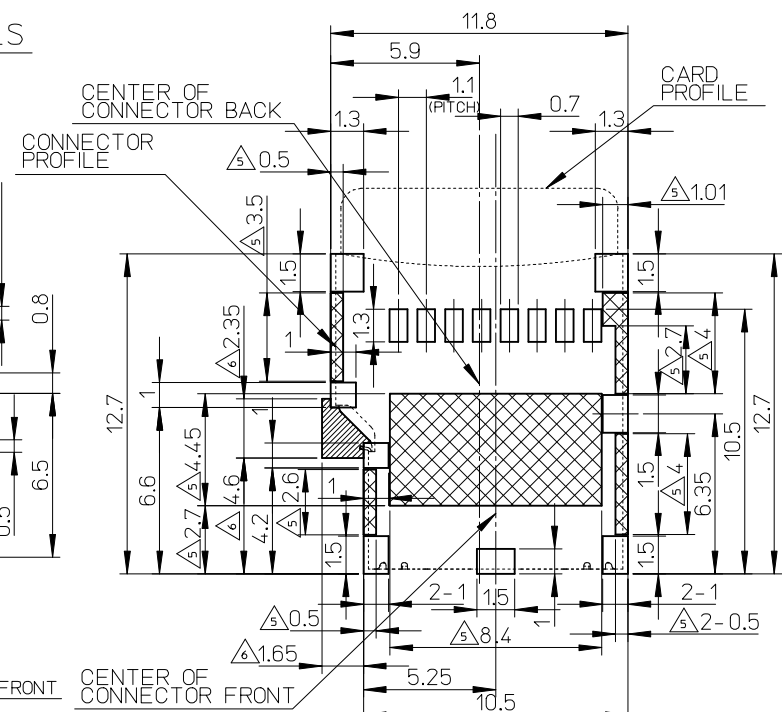
- NOTES :
- MATERIAL 材料  
HOUSING : LIQUID CRYSTAL POLYMER  
UL94V-0, COLOR:BLACK  
TERMINAL : COPPER ALLOY  
SHELL : COPPER ALLOY
  - PLATING めっき仕様  
TERMINAL CONTACT AREA : SEPARATED GOLD PLATING (0.5 MICROMETER MINIMUM)  
TAIL AREA : SEPARATED GOLD PLATING  
UNDERPLATE : NICKEL OVERALL (1.0 MICROMETER MINIMUM)  
SHELL NO PLATING
  - COPLANARITY TO BE 0.08 MAXIMUM.  
平坦度は0.08MAX.とする.
  - (DIMENSION) : REFERENCE VALUE (寸法) : 参考値
- △5 PATTERN KEEP OUT AREA  
パターン禁止エリア
- △6 NO COMPONENTS AREA  
部品搭載禁止エリア
7. ELV AND ROHS COMPLIANT.

Lot No. ロット番号  
0 25 3 30 V 1

THE YEAR OF GRACE 西暦(下二桁)  
WEEK NUMBER 週数  
A DAY OF THE WEEK 曜日  
LINE No. & SHIFT No. ライン・シフト番号  
DIE Ver. No. : P or V or A 金型バージョン  
MATERIAL Ver. No. 製品バージョン



ISOMETRIC VIEW



RECOMMENDED P.W.BOARD PATTERN LAYOUT  
推奨基板パターンレイアウト (TOLERANCE : ±0.05)

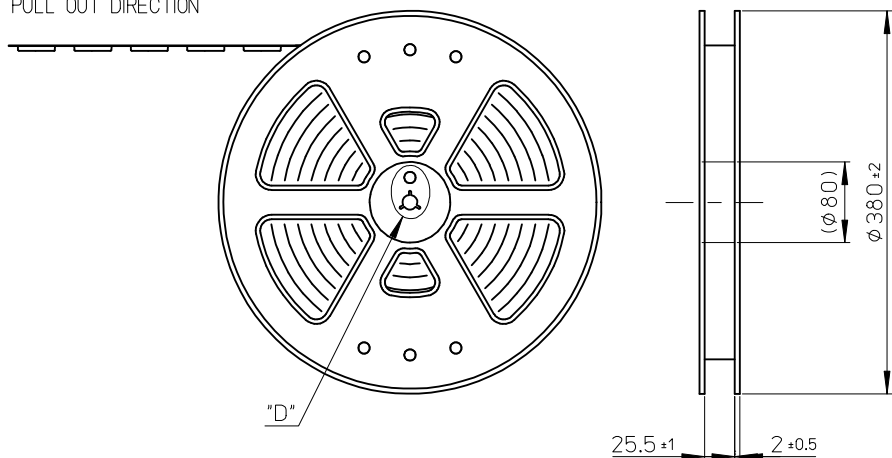
503735-0891  
EMBOSSED TAPE PACKAGE  
ORDER No. オーダー番号

REVISED EC NO: J2013-0840 DRWN:MTAKASAKI CHKD:MTOMITA APPR:Y01TO	DESCRIPTION 2013/01/30 2013/01/30 2013/01/30	GENERAL TOLERANCES (UNLESS SPECIFIED)		DIMENSION STYLE MM ONLY	SCALE 5:1	DESIGN UNITS METRIC	THIRD ANGLE PROJECTION	
		10 UNDER	±0.2	DRAWN BY MTAKASAKI	DATE 2010/12/16	TITLE MICROSD CARD CONNECTOR PUSH-PULL & NORMAL SIMPLE SMALL TYPE		
		10 OVER 30 UNDER	±0.25	CHECKED BY MTOMITA	DATE 2010/12/16			
		30 OVER	±0.3	APPROVED BY NUKITA	DATE 2011/06/17			
A	REV	ANGULAR ±1 ° DRAFT WHERE APPLICABLE MUST REMAIN WITHIN DIMENSIONS	MATERIAL NO. SEE CHART	MATERIAL NO.	DOCUMENT NO. SD-503735-001	SHEET NO. 1 OF 1	THIS DRAWING CONTAINS INFORMATION THAT IS PROPRIETARY TO MOLEX INCORPORATED AND SHOULD NOT BE USED WITHOUT WRITTEN PERMISSION	

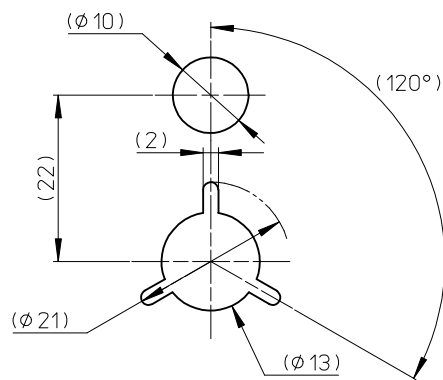
NOTES

1. 製品詳細寸法については、SD 図面を参照下さい。  
RE DETAILED DIMENSION, SEE SALES DRAWING.
2. 梱包数量：2300個／リール  
NUMBER OF CONNECTORS：2300 PCS/REEL.
3. リードテープ長さ LEAD TAPE LENGTH.

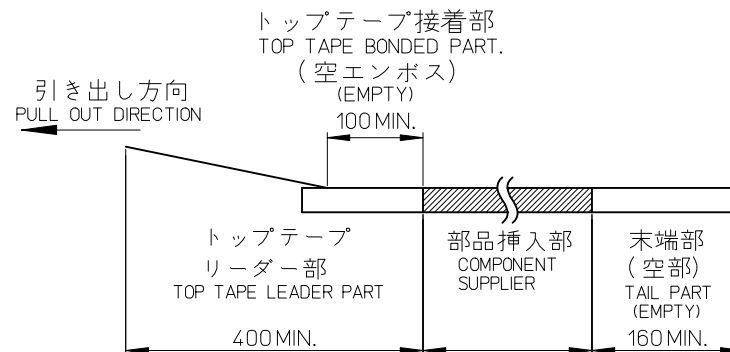
引き出し方向  
PULL OUT DIRECTION



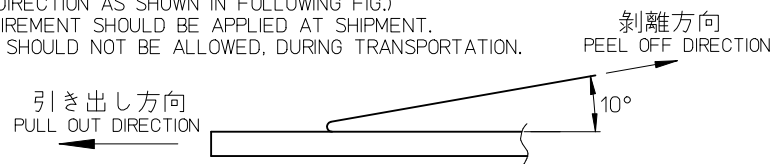
"D"



DETAIL "D"



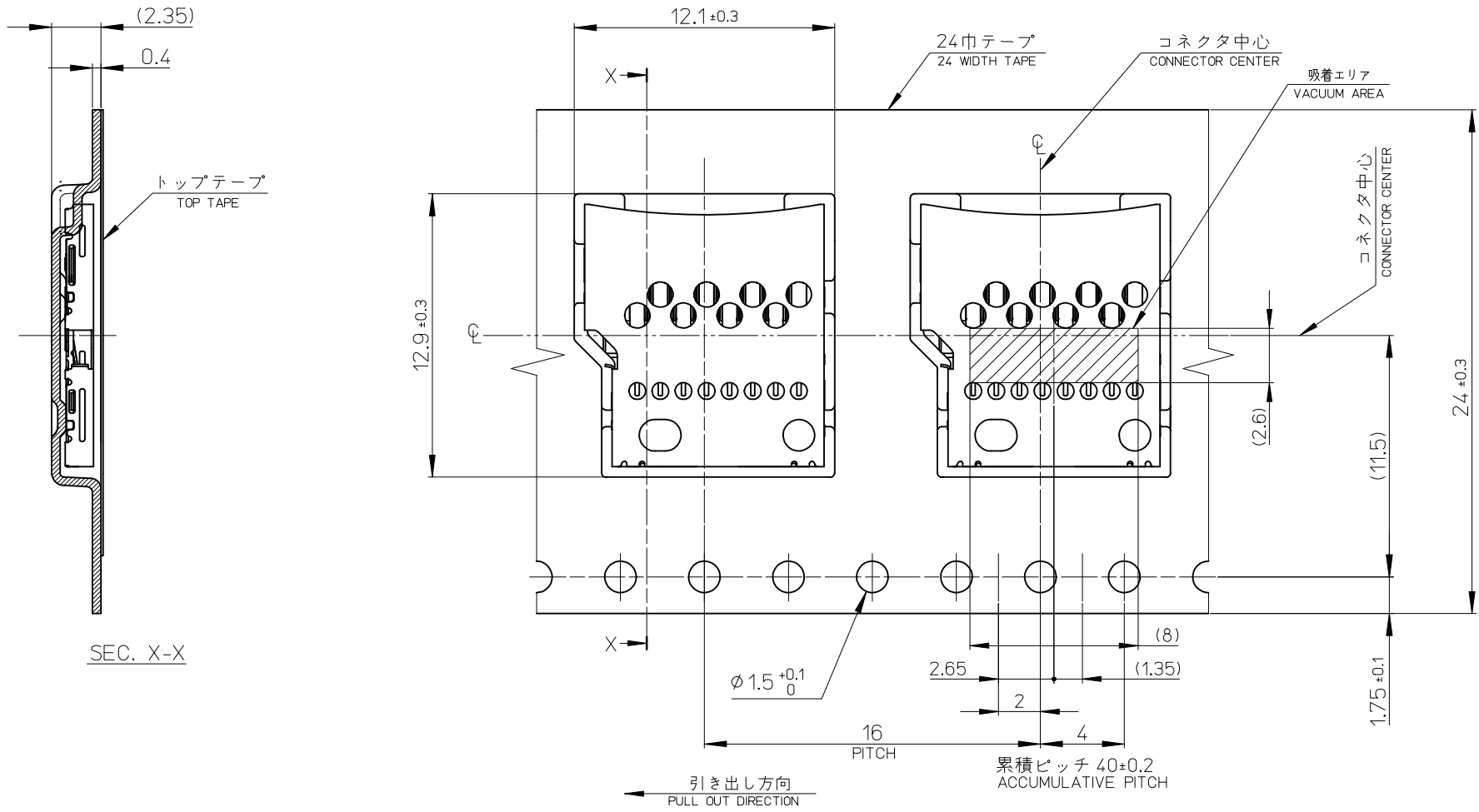
4. トップテープの剥離強度：JIS C0806-3に準拠(剥離方向は下図参照)尚、本規格値は出荷時に適用。(但し、輸送時に剥離が発生しないこと。)  
PEELING OFF FORCE OF TOP TAPE : BASED UPON JIS C0806-3 (PEELING DIRECTION AS SHOWN IN FOLLOWING FIG.) THIS REQUIREMENT SHOULD BE APPLIED AT SHIPMENT. PEEL OFF SHOULD NOT BE ALLOWED, DURING TRANSPORTATION.



5. 材料 MATERIAL  
キャリアテープ (CARRIER TAPE) : ポリスチレン (POLYSTYRENE)  
トップテープ (TOP TAPE) : PET, PE, PEF  
リール (REEL) : ポリスチレン (PS) <リサイクル材含む>  
POLYSTYRENE (PS) <RECYCLE MATERIAL CONTAINED>

503735-0891	8
EMBOSSED PACKAGE	極数
オーダー番号 ORDER NO.	CIRCUITS
CONNECTOR SERIES No. 503735-**11	

REVISED EC NO.: J2013-0840 DRWN:MTAKASAKI 2013/01/30 CHKD:MTOMITA 2013/01/30 APPR:YOKITO 2013/01/30	DESCRIPTION A	GENERAL TOLERANCES (UNLESS SPECIFIED)		DIMENSION STYLE MM ONLY		SCALE ---	DESIGN UNITS METRIC	THIRD ANGLE PROJECTION	
		10 UNDER	±0.2	DRAWN BY MTAKASAKI	DATE 2011/06/01	TITLE EMBOSSED TAPE PACKAGE FOR 503735-**11			
		10 OVER 30 UNDER	±0.25	CHECKED BY MTOMITA	DATE 2011/06/01	MATERIAL NO. SEE CHART			
		30 OVER	±0.3	APPROVED BY NUKITA	DATE 2011/06/17	DOCUMENT NO. SD-503735-002			
ANGULAR ±1 °		DRAFT WHERE APPLICABLE MUST REMAIN WITHIN DIMENSIONS		SIZE A3		THIS DRAWING CONTAINS INFORMATION THAT IS PROPRIETARY TO MOLEX INCORPORATED AND SHOULD NOT BE USED WITHOUT WRITTEN PERMISSION			



SEE SHEET 1 OF 2 EC NO: J2013-0840 DRWN: MTAKASAKI 2013/01/30 CHKD: MTOMITA 2013/01/30 APPR: YOKO 2013/01/30	GENERAL TOLERANCES (UNLESS SPECIFIED)		DIMENSION STYLE MM ONLY		SCALE ---	DESIGN UNITS METRIC	THIRD ANGLE PROJECTION
	10 UNDER	±0.2	DRAWN BY MTAKASAKI	DATE 2011/06/01	TITLE EMBOSSSED TAPE PACKAGE FOR 503735-***11		
	10 OVER 30 UNDER	±0.25	CHECKED BY MTOMITA	DATE 2011/06/01			
	30 OVER	±0.3	APPROVED BY NUKITA	DATE 2011/06/17	<b>molex</b> DOCUMENT NO. SD-503735-002 SHEET NO. 2 OF 2		
ANGULAR ±1 °		MATERIAL NO. SEE SHEET 1 OF 2					
DRAFT WHERE APPLICABLE MUST REMAIN WITHIN DIMENSIONS		THIS DRAWING CONTAINS INFORMATION THAT IS PROPRIETARY TO MOLEX INCORPORATED AND SHOULD NOT BE USED WITHOUT WRITTEN PERMISSION					