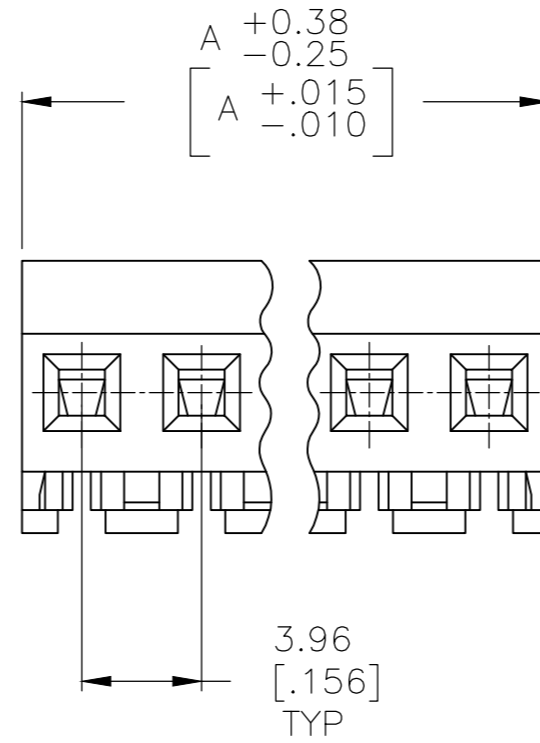
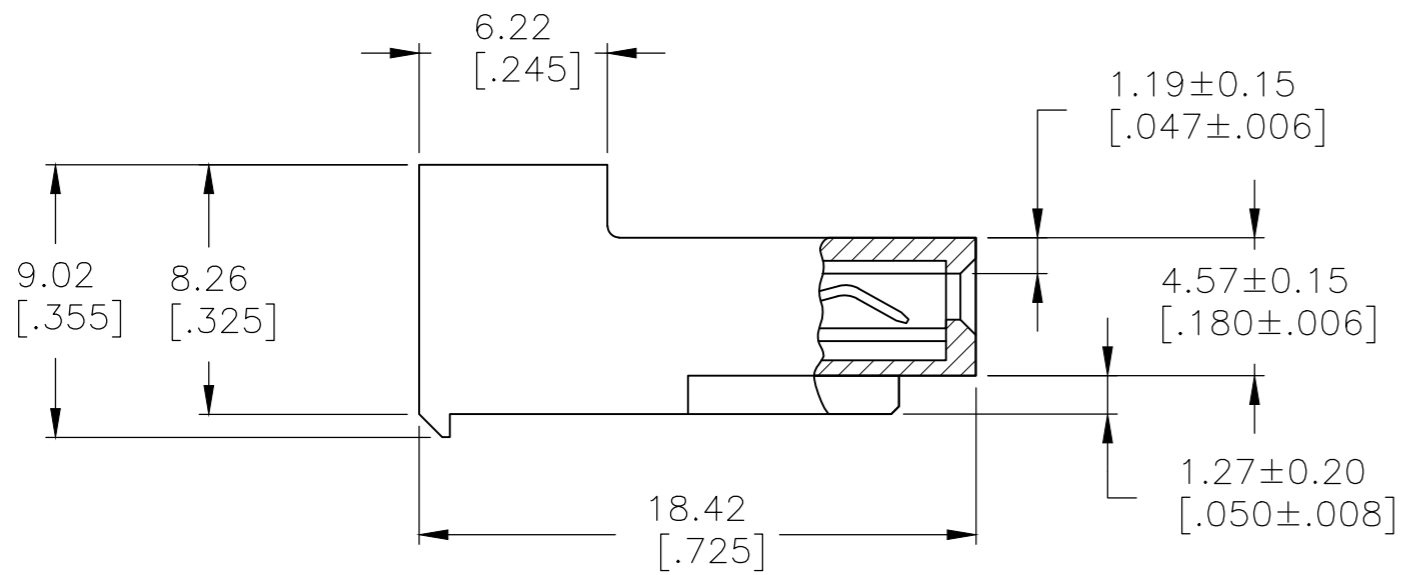
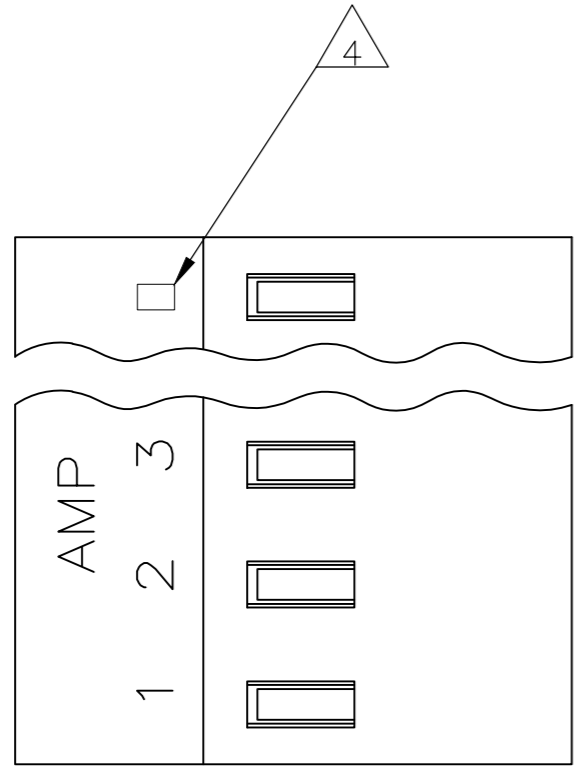


THIS DRAWING IS UNPUBLISHED. RELEASED FOR PUBLICATION  
 © COPYRIGHT - By - TE CONNECTIVITY ALL RIGHTS RESERVED.

LOC	DIST	REVISIONS					
CM	00	P	LTR	DESCRIPTION	DATE	DWN	APVD
		Y		REVISED PER ECR-20-000814	26MAY2020	PC	SW



1 MATERIAL: CONNECTOR - NYLON UL94V-2 (ORANGE).  
 CONTACTS - 0.00076[.000030] GOLD THK OR 0.00008[.000003] MIN THK GOLD FLASH OVER 0.00068[.000027] THK PALLADIUM NICKEL, PER TE CONNECTIVITY'S DISCRETION. IN CONTACT AREA WITH MATTE TIN FOR -2 THRU -28, MATTE WHISKER MITIGATED TIN FOR 3-641222-2 THRU 5-641222-4 OVER NICKEL UNDERPLATE.

2 CONTACTS ACCEPT 18 AWG WIRE WITH 2.41[.095] MAX INSULATION DIAMETER.

3 CONTACTS MUST ACCEPT 1.14±0.03 [.045±.001] SQUARE POST AND REMAIN LOCKED IN POSITION.

4 IDENTIFICATION NUMBER FOR LAST CIRCUIT MAY NOT APPEAR ON ALL ASSEMBLIES.

5 DIMENSIONS IN BRACKETS ARE IN INCHES.

6 HOUSING FEATURES ARE: CLOSED END WITHOUT LOCKING RAMP.

7 OBSOLETE PARTS: OBSOLETE CIS STREAMLINING PER D.RENAUD/D.SINISI

95.10	[3.744]	24	5-641222-4
91.14	[3.588]	23	5-641222-3
87.17	[3.432]	22	5-641222-2
83.21	[3.276]	21	5-641222-1
79.25	[3.120]	20	5-641222-0
75.29	[2.964]	19	4-641222-9
71.32	[2.808]	18	4-641222-8
67.36	[2.652]	17	4-641222-7
63.40	[2.496]	16	4-641222-6
59.44	[2.340]	15	4-641222-5
55.47	[2.184]	14	4-641222-4
51.51	[2.028]	13	4-641222-3
47.55	[1.872]	12	4-641222-2
43.59	[1.716]	11	4-641222-1
39.62	[1.560]	10	4-641222-0
35.66	[1.404]	9	3-641222-9
31.70	[1.248]	8	3-641222-8
27.74	[1.092]	7	3-641222-7
23.77	[.936]	6	3-641222-6
19.81	[.780]	5	3-641222-5
15.85	[.624]	4	3-641222-4
11.89	[.468]	3	3-641222-3
7.92	[.312]	2	3-641222-2

7	SUPERSEDED BY 5-641222-4	95.10	[3.744]	24	<del>2-641222-4</del>
7	SUPERSEDED BY 5-641222-3	91.14	[3.588]	23	<del>2-641222-3</del>
	OBSOLETE	87.17	[3.432]	22	<del>2-641222-2</del>
7	SUPERSEDED BY 5-641222-1	83.21	[3.276]	21	<del>2-641222-1</del>
7	SUPERSEDED BY 5-641222-0	79.25	[3.120]	20	<del>2-641222-0</del>
7	SUPERSEDED BY 4-641222-9	75.29	[2.964]	19	<del>1-641222-9</del>
7	SUPERSEDED BY 4-641222-8	71.32	[2.808]	18	<del>1-641222-8</del>
7	SUPERSEDED BY 4-641222-7	67.36	[2.652]	17	<del>1-641222-7</del>
7	SUPERSEDED BY 4-641222-6	63.40	[2.496]	16	<del>1-641222-6</del>
	OBSOLETE	59.44	[2.340]	15	<del>1-641222-5</del>
7	SUPERSEDED BY 4-641222-4	55.47	[2.184]	14	<del>1-641222-4</del>
7	SUPERSEDED BY 4-641222-3	51.51	[2.028]	13	<del>1-641222-3</del>
7	SUPERSEDED BY 4-641222-2	47.55	[1.872]	12	<del>1-641222-2</del>
7	SUPERSEDED BY 4-641222-1	43.59	[1.716]	11	<del>1-641222-1</del>
7	SUPERSEDED BY 4-641222-0	39.62	[1.560]	10	<del>1-641222-0</del>
7	SUPERSEDED BY 3-641222-9	35.66	[1.404]	9	<del>641222-9</del>
	OBSOLETE	31.70	[1.248]	8	<del>641222-8</del>
	OBSOLETE	27.74	[1.092]	7	<del>641222-7</del>
7	SUPERSEDED BY 3-641222-6	23.77	[.936]	6	<del>641222-6</del>
7	SUPERSEDED BY 3-641222-5	19.81	[.780]	5	<del>641222-5</del>
7	SUPERSEDED BY 3-641222-4	15.85	[.624]	4	<del>641222-4</del>
7	SUPERSEDED BY 3-641222-3	11.89	[.468]	3	<del>641222-3</del>
7	SUPERSEDED BY 3-641222-2	7.92	[.312]	2	<del>641222-2</del>

DIM A NO OF CIRCUITS PART NO

THIS DRAWING IS A CONTROLLED DOCUMENT.		DWN B. LEWIS 12 FEB 91		
DIMENSIONS: mm [INCHES]		CHK R. SWING 12 FEB 91		
TOLERANCES UNLESS OTHERWISE SPECIFIED:		APVD D. CLARK 21 FEB 91	NAME	
0 PLC ± - 1 PLC ± - 2 PLC ± - 3 PLC ± - 4 PLC ± - ANGLES ± -		PRODUCT SPEC 108-1051	MTA-156 CONNECTOR ASSEMBLY, 18 AWG, STANDARD	
MATERIAL 1		FINISH 1	SIZE A2	CAGE CODE 00779
CUSTOMER DRAWING		WEIGHT -	DRAWING NO C=641222	RESTRICTED TO -
		SCALE 4:1	SHEET 1 OF 1	REV Y