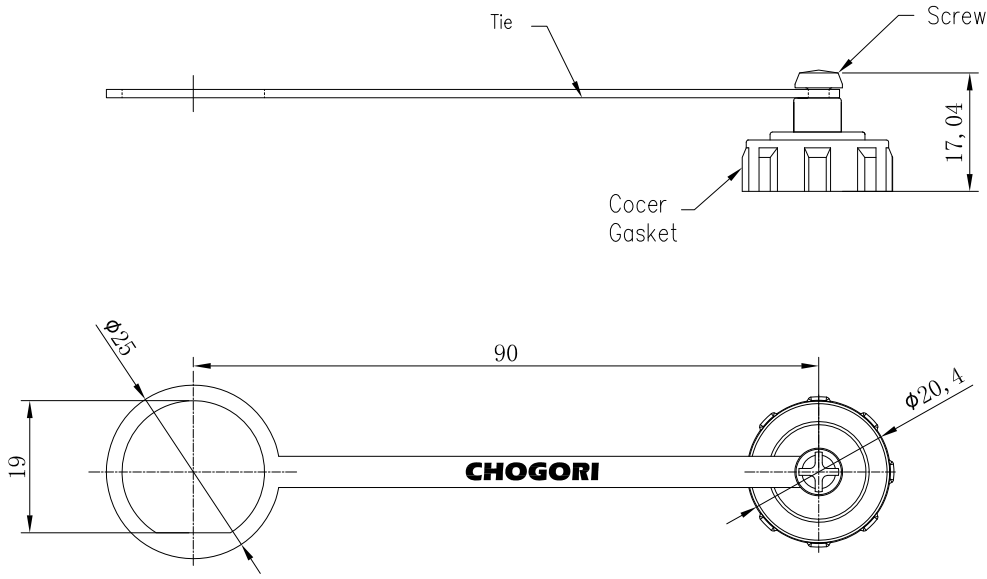


THIS INFORMATION IS CONFIDENTIAL AND IS DISCLOSED TO YOU ON CONDITION THAT NO FURTHER DISCLOSURE IS MADE BY YOU TO OTHER THAN CHOGORI PERSONNEL WITHOUT AUTHORIZATION FROM CHOGORI CORP.

| REV. | ECN NO. | DESCRIPTION | SIGN | DATE |
|------|---------|-----------------|-------------|------------|
| C1 | N/A | Initial Drawing | liyongsheng | 2020/04/29 |



- Specification:
- 1.The Surface Must Not Be Dirty, Burning Glue, Lack Of Materials, Cracks And Severe Shrinkage.
 - 2.RoHS Compliant.
 - 3.RJ45 Waterproof Cover: Nylon+GF
 - 4.Tie: Nylon+GF
 - 5.Gasket: Silicon
 - 6.Waterproof Rate: IP67(Mated)

| | | | | | | | |
|--|--|--|----------------|--------------------|-------------------------|-------------------------|--------------------|
| UNIT: mm | | DESCRIPTION RJ45 Protecting Cover(Screw Type) | CHOGORI | | PART NO 806-00003-00 | DRAWN BY liyongsheng | DATE 2020/04/29 |
| TOLERANCE .X ±0.25 .XX ±0.15 .XXX ±0.05 ANGLES ±1° | | SCALE 1:1 | SHEET 1 OF 1 | | DWG NO | CHECKED BY Allen | DATE 2020/04/29 |
| | | REV. C1 | SIZE A4 | * :Inspection Item | CUSTOMER | APPROVED BY Panson | DATE 2020/04/29 |

1 2 3 4 5 6 7 8

A B C D E F