

MKDS 1/ 4-3,5 HT BK - PCB terminal block



1820589

<https://www.phoenixcontact.com/us/products/1820589>

Please be informed that the data shown in this PDF document is generated from our online catalog. Please find the complete data in the user documentation. Our general terms of use for downloads are valid.



PCB terminal block, nominal current: 13.5 A, rated voltage (III/2): 200 V, nominal cross section: 1.5 mm², number of potentials: 4, number of rows: 1, number of positions per row: 4, product range: MKDS 1/..-HT, pitch: 3.5 mm, connection method: Screw connection with tension sleeve, screw head form: L Slotted, mounting: THR soldering, conductor/PCB connection direction: 0 °, color: black, Pin layout: Linear pinning, Solder pin [P]: 3.5 mm, number of solder pins per potential: 1, type of packaging: packed in cardboard

Your advantages

- Well-known connection principle allows worldwide use
- Low temperature rise, thanks to maximum contact force
- Allows connection of two conductors
- Extremely small design for the respective conductor cross section
- Designed for integration into the SMT soldering process

Commercial data

| | |
|--------------------------------------|---------------|
| Item number | 1820589 |
| Packing unit | 1 pc |
| Minimum order quantity | 50 pc |
| Sales key | AA12 |
| Product key | AALGAB |
| GTIN | 4046356783194 |
| Weight per piece (including packing) | 3.226 g |
| Weight per piece (excluding packing) | 3.226 g |
| Customs tariff number | 85369010 |
| Country of origin | DE |

MKDS 1/ 4-3,5 HT BK - PCB terminal block



1820589

<https://www.phoenixcontact.com/us/products/1820589>

Technical data

Product properties

| | |
|---------------------------|--------------------------------|
| Type | PC termination block |
| Product line | COMBICON Terminals S |
| Product type | Printed circuit board terminal |
| Product family | MKDS 1/..-HT |
| Number of positions | 4 |
| Pitch | 3.5 mm |
| Number of connections | 4 |
| Number of rows | 1 |
| Number of potentials | 4 |
| Pin layout | Linear pinning |
| Solder pins per potential | 1 |

Electrical properties

| | |
|-----------------------------|--------|
| Nominal current I_N | 13.5 A |
| Nominal voltage U_N | 200 V |
| Degree of pollution | 3 |
| Rated voltage (III/3) | 63 V |
| Rated surge voltage (III/3) | 2.5 kV |
| Rated voltage (III/2) | 200 V |
| Rated surge voltage (III/2) | 2.5 kV |
| Rated voltage (II/2) | 200 V |
| Rated surge voltage (II/2) | 2.5 kV |

Connection data

Connection technology

| | |
|-----------------------|----------------------|
| Type | PC termination block |
| Nominal cross section | 1.5 mm ² |

Conductor connection

| | |
|---|---|
| Connection method | Screw connection with tension sleeve |
| Conductor cross section rigid | 0.14 mm ² ... 1.5 mm ² |
| Conductor cross section flexible | 0.14 mm ² ... 1.5 mm ² |
| Conductor cross section AWG | 26 ... 16 |
| Conductor cross section flexible, with ferrule without plastic sleeve | 0.25 mm ² ... 0.5 mm ² |
| Conductor cross section, flexible, with ferrule, with plastic sleeve | 0.25 mm ² ... 0.5 mm ² |
| 2 conductors with same cross section, solid | 0.14 mm ² ... 0.5 mm ² |
| 2 conductors with same cross section, flexible | 0.14 mm ² ... 0.34 mm ² |
| Stripping length | 5 mm |
| Tightening torque | 0.22 Nm ... 0.25 Nm |

MKDS 1/ 4-3,5 HT BK - PCB terminal block



1820589

<https://www.phoenixcontact.com/us/products/1820589>

Mounting

| | |
|-----------------------|--------------------------------------|
| Mounting type | THR soldering |
| Pin layout | Linear pinning |
| Drive form screw head | Slotted (L) |
| Connection method | Screw connection with tension sleeve |
| Drive form screw head | Slotted (L) |

Material specifications

Material data - contact

| | |
|---|--|
| Note | WEEE/RoHS-compliant, free of whiskers according to IEC 60068-2-82/JEDEC JESD 201 |
| Contact material | Cu alloy |
| Surface characteristics | Tin-plated |
| Metal surface terminal point (top layer) | Tin (5 - 7 μm Sn) |
| Metal surface terminal point (middle layer) | Nickel (2 - 3 μm Ni) |
| Metal surface soldering area (top layer) | Tin (5 - 7 μm Sn) |
| Metal surface soldering area (middle layer) | Nickel (2 - 3 μm Ni) |

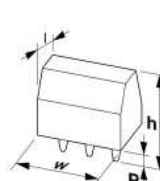
Material data - housing

| | |
|--|--------------|
| Color (Housing) | black (9005) |
| Insulating material | PA |
| Insulating material group | IIIa |
| CTI according to IEC 60112 | 250 - 399 |
| Flammability rating according to UL 94 | V0 |

Notes

| | |
|---------------------|--|
| Note on application | For safe conductor connection, always adhere to a defined tightening torque. Particularly in the case of PCB terminal blocks with two or three positions, the individual solder pin for each contact point cannot compensate for this. That is why the terminal blocks must be supported during conductor connection (held with one hand, support on the housing). |
|---------------------|--|

Dimensions

| | |
|---------------------|--|
| Dimensional drawing |  |
| Pitch | 3.5 mm |
| Width [w] | 14.5 mm |
| Height [h] | 12 mm |
| Length [l] | 7.3 mm |
| Installed height | 8.5 mm |

MKDS 1/ 4-3,5 HT BK - PCB terminal block



1820589

<https://www.phoenixcontact.com/us/products/1820589>

| | |
|-----------------------|--------------|
| Solder pin length [P] | 3.5 mm |
| Pin dimensions | 0.5 x 0.9 mm |

PCB design

| | |
|---------------|--------|
| Pin spacing | 3.5 mm |
| Hole diameter | 1.1 mm |

Electrical tests

Air clearances and creepage distances |

| | |
|--|---|
| Specification | IEC 60947-1:2007-06 + A1:2010-12 + A2:2014-09 |
| Insulating material group | IIIa |
| Comparative tracking index (IEC 60112) | CTI 250 - 399 |
| Rated insulation voltage (III/3) | 63 V |
| Rated surge voltage (III/3) | 2.5 kV |
| minimum clearance value - non-homogenous field (III/3) | 1.5 mm |
| minimum creepage distance (III/3) | 2 mm |
| Rated insulation voltage (III/2) | 200 V |
| Rated surge voltage (III/2) | 2.5 kV |
| minimum clearance value - non-homogenous field (III/2) | 1.5 mm |
| minimum creepage distance (III/2) | 2 mm |
| Rated insulation voltage (II/2) | 200 V |
| Rated surge voltage (II/2) | 2.5 kV |
| minimum clearance value - non-homogenous field (II/2) | 1.5 mm |
| minimum creepage distance (II/2) | 2 mm |

Environmental and real-life conditions

Ambient conditions

| | |
|---|---|
| Ambient temperature (operation) | -40 °C ... 100 °C (Depending on the current carrying capacity/derating curve) |
| Ambient temperature (storage/transport) | -40 °C ... 70 °C |
| Relative humidity (storage/transport) | 30 % ... 70 % |
| Ambient temperature (assembly) | -5 °C ... 100 °C |

Packaging specifications

| | |
|-------------------|---------------------|
| Type of packaging | packed in cardboard |
|-------------------|---------------------|

MKDS 1/ 4-3,5 HT BK - PCB terminal block

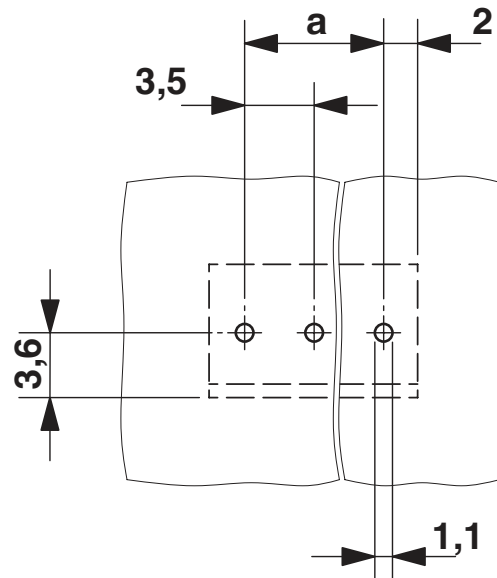


1820589

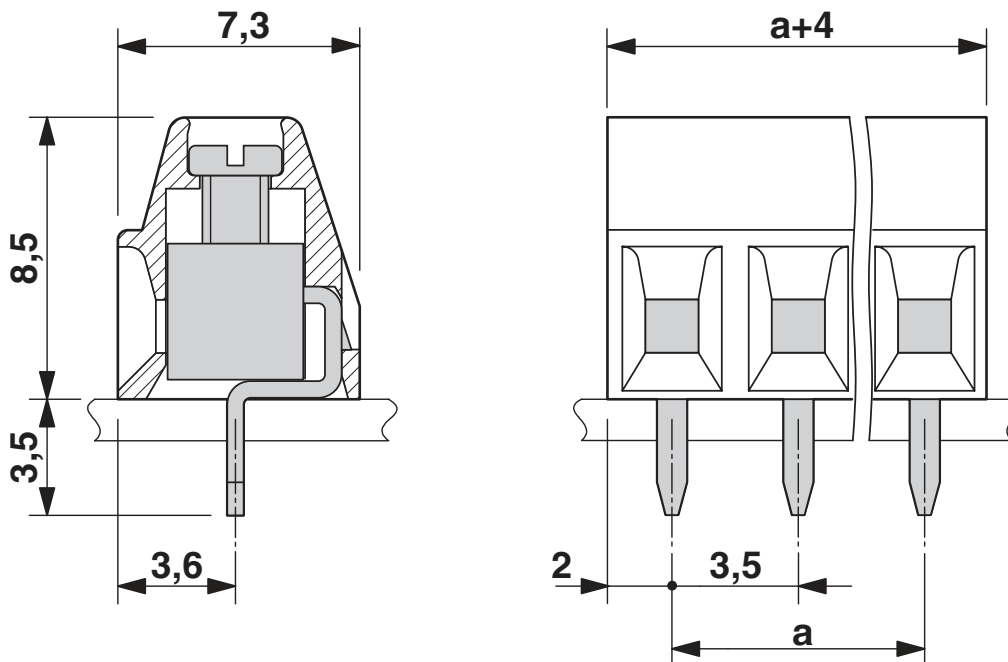
<https://www.phoenixcontact.com/us/products/1820589>

Drawings

Drilling plan/solder pad geometry



Dimensional drawing



MKDS 1/ 4-3,5 HT BK - PCB terminal block



1820589

<https://www.phoenixcontact.com/us/products/1820589>

Approvals

To download certificates, visit the product detail page: <https://www.phoenixcontact.com/us/products/1820589>



EAC

Approval ID: B.01687



cULus Recognized

Approval ID: E60425-19770427

| | Nominal voltage U_N | Nominal current I_N | Cross section AWG | Cross section mm^2 |
|--------------------------|-----------------------|-----------------------|-------------------|-----------------------------|
| Use group B | | | | |
| Only flexible conductors | 300 V | 13.5 A | 30 - 16 | - |
| Standard | 300 V | 10 A | 30 - 16 | - |
| Use group D | | | | |
| Only flexible conductors | 150 V | 13.5 A | 30 - 16 | - |
| Standard | 300 V | 10 A | 30 - 16 | - |



VDE Zeichengenehmigung

Approval ID: 40055394

| | Nominal voltage U_N | Nominal current I_N | Cross section AWG | Cross section mm^2 |
|--|-----------------------|-----------------------|-------------------|-----------------------------|
| | 200 V | 17.5 A | - | 0.2 - 1.5 |

MKDS 1/ 4-3,5 HT BK - PCB terminal block



1820589

<https://www.phoenixcontact.com/us/products/1820589>

Classifications

ECLASS

| | |
|-------------|----------|
| ECLASS-11.0 | 27460101 |
| ECLASS-12.0 | 27460101 |
| ECLASS-13.0 | 27460101 |

ETIM

| | |
|----------|----------|
| ETIM 8.0 | EC002643 |
|----------|----------|

UNSPSC

| | |
|-------------|----------|
| UNSPSC 21.0 | 39121400 |
|-------------|----------|

MKDS 1/ 4-3,5 HT BK - PCB terminal block



1820589

<https://www.phoenixcontact.com/us/products/1820589>

Environmental product compliance

| | |
|------------|---|
| China RoHS | Environmentally friendly use period: unlimited = EFUP-e |
| | No hazardous substances above threshold values |

Phoenix Contact 2023 © - all rights reserved
<https://www.phoenixcontact.com>

Phoenix Contact USA
586 Fulling Mill Road
Middletown, PA 17057, United States
(+717) 944-1300
info@phoenixcon.com