

MATERIAL

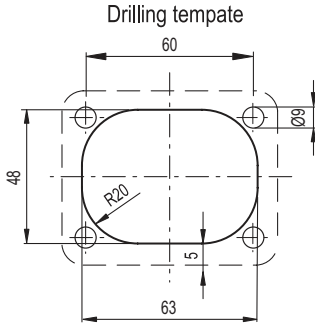
AISI 304 stainless steel with electropolished finish.
Handle with return spring from work to rest position.

STANDARD EXECUTION

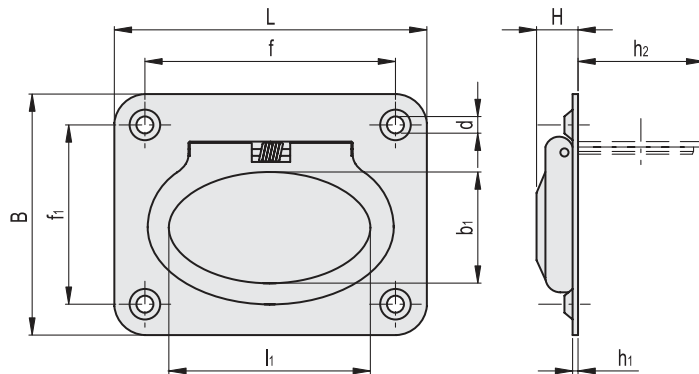
Pass-through holes for M4 countersunk-head screws.

APPLICATIONS

RH-EE-01 series flush pull handles are generally used on devices where it is requested to save space.



- 1
- 2
- 3
- 4
- 5
- 6
- 7
- 8
- 9
- 10
- 11
- 12
- 13
- 14
- 15
- 16
- 17
- 18



Conversion Table			
1 mm = 0.039 inch			
L		d	
mm	inch	mm	inch
75	2.95	4.5	0.18

Code	f	L	B	f1	b1	H	h1	h2	l1	d	⚖
RHEE-01.R075.39	60	75	58	43	26	10	1	34	46	4.5	51