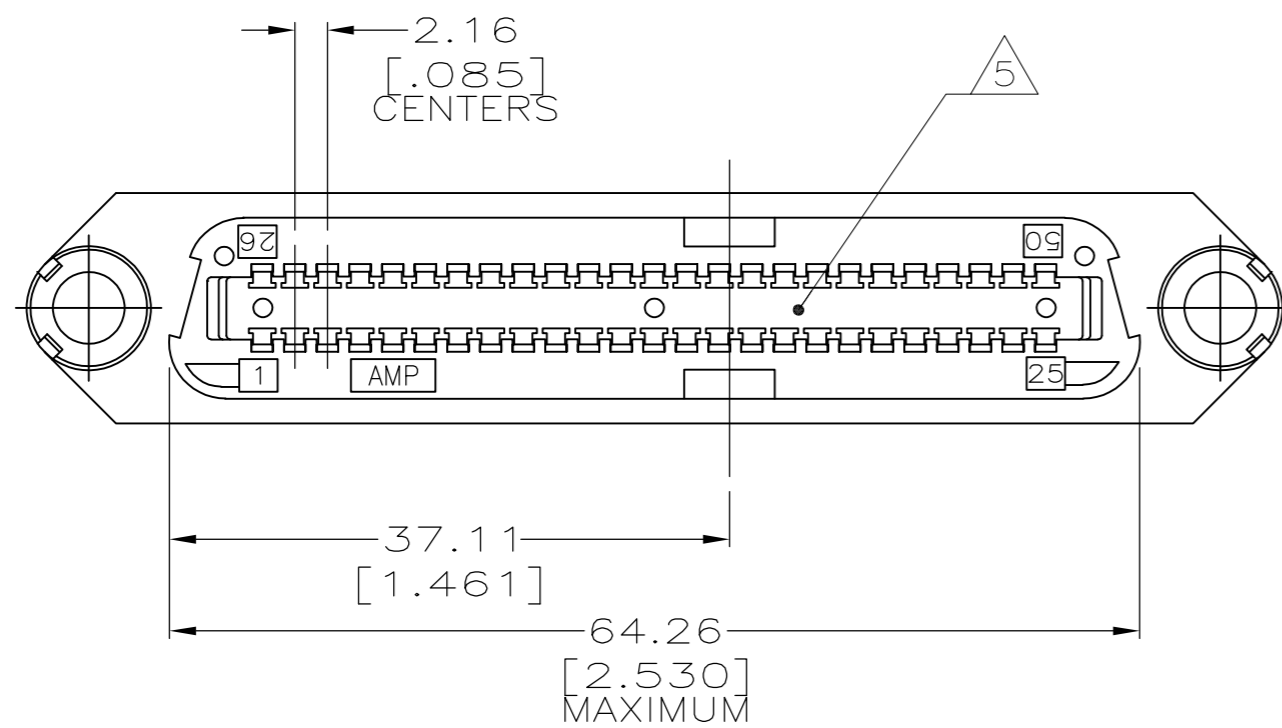
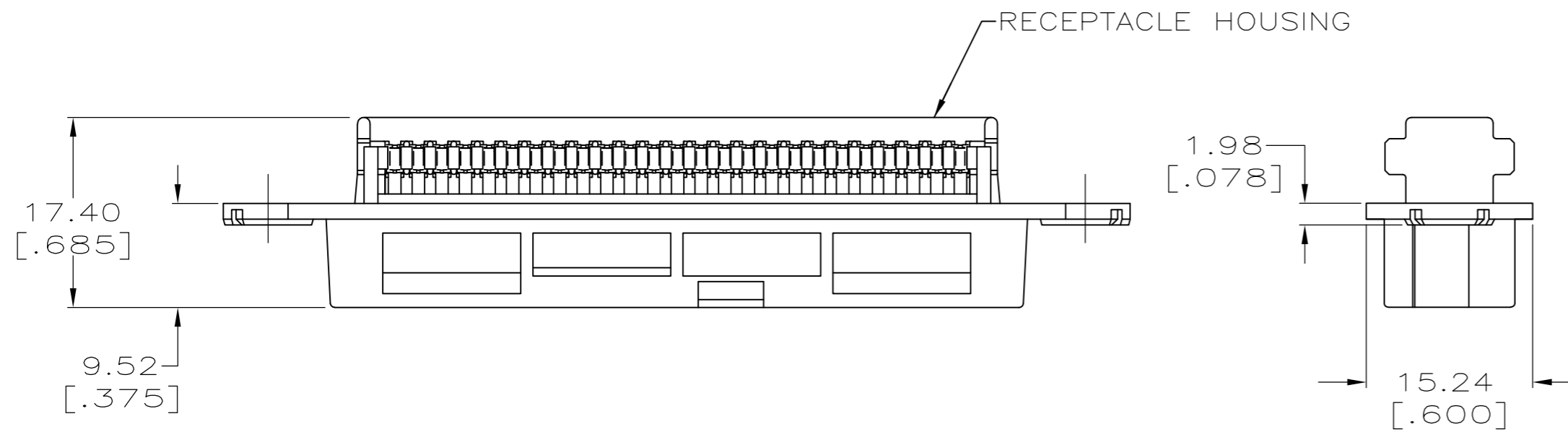
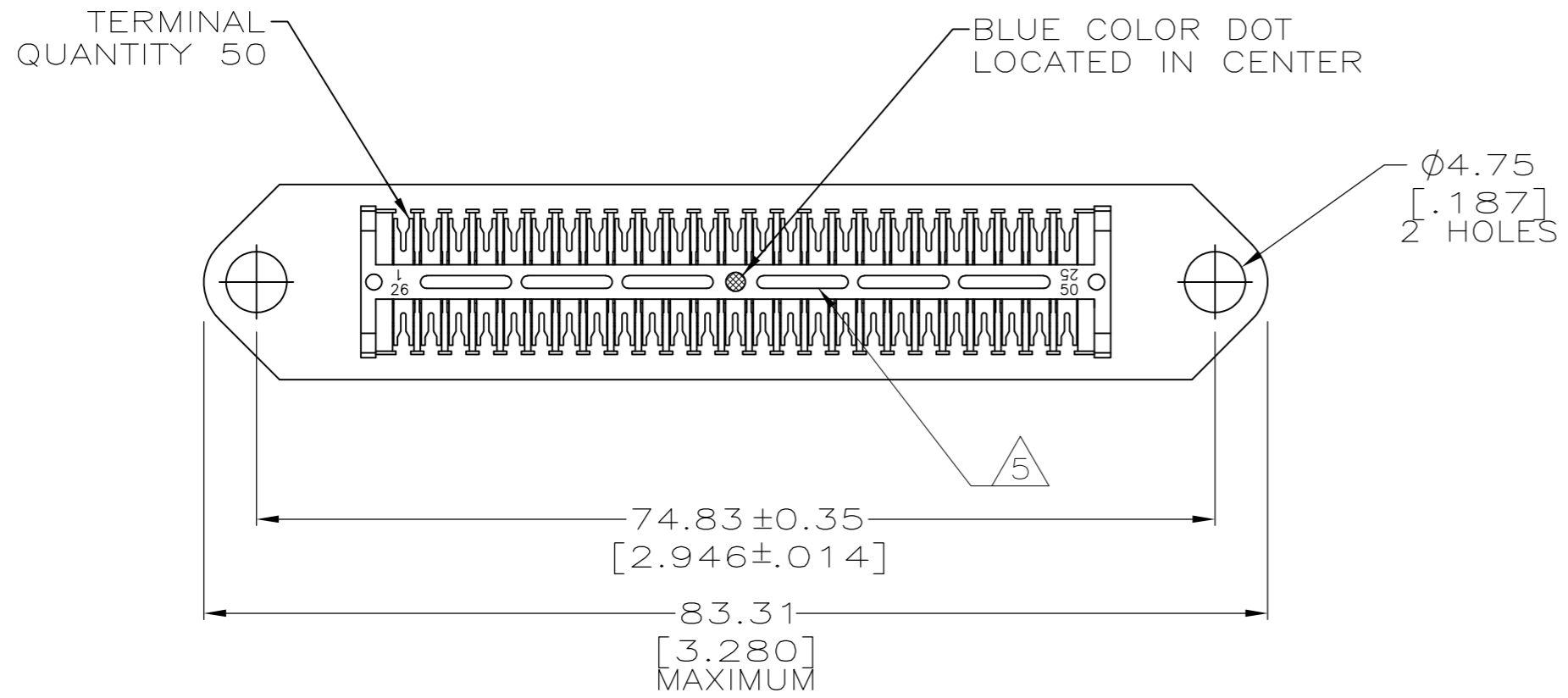


THIS DRAWING IS UNPUBLISHED. RELEASED FOR PUBLICATION
 © COPYRIGHT - By - ALL RIGHTS RESERVED.

LOC	DIST	REVISIONS					
		P	LTR	DESCRIPTION	DATE	DWN	APVD
GP	00	U1		REVISED PER ECO-11-004835	11MAR11	RK	HMR



1. THE CONTACT SURFACES OF THE TERMINALS ARE COATED WITH LUBRICANT.
2. ALL DIMENSIONS SHOWN ARE FOR REFERENCE ONLY UNLESS OTHERWISE SPECIFIED.
3. MATERIAL: HOUSING - POLYPHEYLENE OXIDE. TERMINAL - HIGH STRENGTH COPPER ALLOY PLATED WITH 0.76µm [.000030] MIN GOLD OR GOLD FLASH OVER PALLADIUM NICKEL PLATE, 0.76µm [.000030] MIN TOTAL ON MATING SURFACE. 1.27µm [.000050] MIN NICKEL UNDERPLATE OVER ENTIRE TERMINAL.
4. WIRE SIZE: 24 AND 26 AWG SOLID OR 24 7 STRANDED COPPER CONDUCTORS. MAX INSULATION DIAMETER OF 1.14[.045] IS ACCEPTABLE FOR MOST APPLICATIONS.
5. CORING MAY OR MAY NOT APPEAR AND IS AT THE DISCRETION OF AMP.

SUPERSEDED BY 2-552001-1	BLACK	THIN FLANGE	2-552001-1
	BLACK	THICK FLANGE	552001-1
	COLOR	DESCRIPTION	PART NUMBER

THIS DRAWING IS A CONTROLLED DOCUMENT.		DWN DL DRUMMOND 01JUN01	TE TE Connectivity	
DIMENSIONS: mm [INCHES]		CHK DL DRUMMOND 01JUN01		
TOLERANCES UNLESS OTHERWISE SPECIFIED:		APVD EW BEILES 01JUN01	NAME	
0 PLC ± -		PRODUCT SPEC	RECEPTACLE ASSEMBLY, 50 POSITION, B-SLOT, WITH .187 DIAMETER HOLES, CHAMP-LOK	
1 PLC ± -		APPLICATION SPEC	SIZE	CAGE CODE
2 PLC ± -		WEIGHT	A2	00779
3 PLC ± -		CUSTOMER DRAWING	DRAWING NO	RESTRICTED TO
4 PLC ± -		SCALE	C=552001	1 OF 1
ANGLES ± -		SHEET	2:1	REV U1
FINISH		SHEET	1 OF 1	