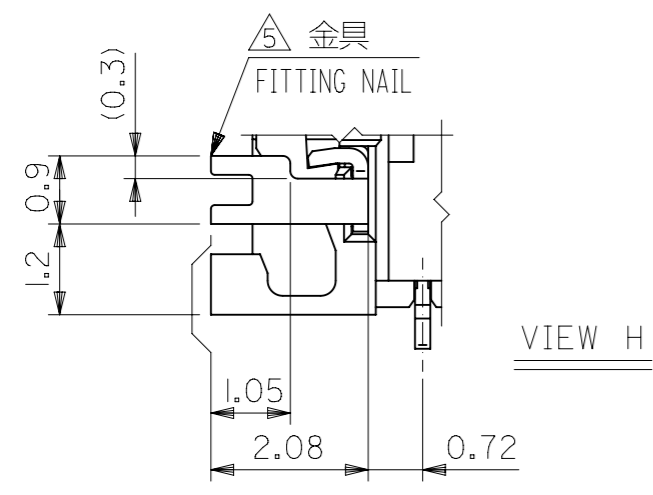
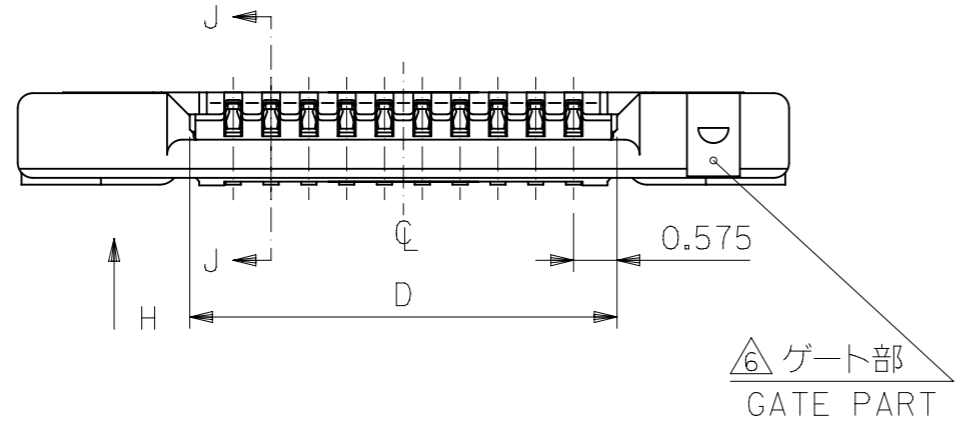
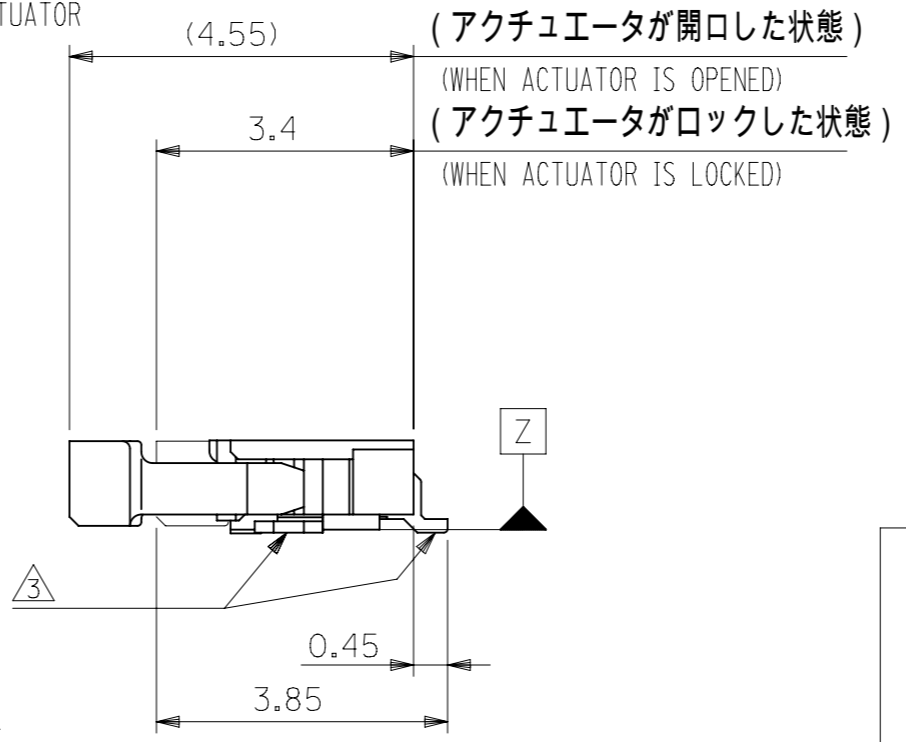


SECT. J-J  
SCALE 20:1



VIEW H

|                  |       |      |      |            |                  |     |
|------------------|-------|------|------|------------|------------------|-----|
| 0.3 ± 0.03       | 13.65 | 17   | 12.5 | 18.2       | 54550-2671       | 26  |
|                  | 12.65 | 16   | 11.5 | 17.2       | 54550-2471       | 24  |
|                  | 11.15 | 14.5 | 10   | 15.7       | 54550-2171       | 21  |
|                  | 10.65 | 14   | 9.5  | 15.2       | 54550-2071       | 20  |
|                  | 9.65  | 13   | 8.5  | 14.2       | 54550-1871       | 18  |
|                  | 8.65  | 12   | 7.5  | 13.2       | 54550-1671       | 16  |
|                  | 7.65  | 11   | 6.5  | 12.2       | 54550-1471       | 14  |
|                  | 6.65  | 10   | 5.5  | 11.2       | 54550-1271       | 12  |
|                  | 5.65  | 9    | 4.5  | 10.2       | 54550-1071       | 10  |
|                  | 5.15  | 8.5  | 4    | 9.7        | 54550-0971       | 9   |
|                  | 4.65  | 8    | 3.5  | 9.2        | 54550-0871       | 8   |
|                  | 4.15  | 7.5  | 3    | 8.7        | 54550-0771       | 7   |
|                  | 3.65  | 7    | 2.5  | 8.2        | 54550-0671       | 6   |
| 3.15             | 6.5   | 2    | 7.7  | 54550-0571 | 5                |     |
| 2.65             | 6     | 1.5  | 7.2  | 54550-0471 | 4                |     |
| THICKNESS OF FPC | D     | C    | B    | A          | EMBOSSED TAPE    | 極数  |
|                  |       |      |      |            | ORDER No. オーダー番号 | Ckt |

CONNECTOR SERIES NO. 54550-\*\*29

THIS DRAWING CONTAINS INFORMATION THAT IS PROPRIETARY TO MOLEX ELECTRONIC TECHNOLOGIES, LLC AND SHOULD NOT BE USED WITHOUT WRITTEN PERMISSION

DIMENSION UNITS: mm SCALE: 10:1

GENERAL TOLERANCES (UNLESS SPECIFIED):  
 ANGULAR TOL ± 3.0°  
 4 PLACES ±  
 3 PLACES ±  
 2 PLACES ±  
 1 PLACE ±  
 0 PLACES ±

DRAFT WHERE APPLICABLE MUST REMAIN WITHIN DIMENSIONS

THIRD ANGLE PROJECTION

DRAWING: A3-SIZE

SERIES: 54550

CURRENT REV DESC:  
 EC NO: 643543  
 DRWN: AHMADI2 2020/08/18  
 CHK'D: HSHIMOIYAMA 2020/08/20  
 APPR: SHOSHIKAWA 2020/08/20

INITIAL REVISION:  
 DRWN: MNINOMIYA 2004/03/02  
 APPR: MSASAO 2004/03/05

PRODUCT CUSTOMER DRAWING

DOCUMENT NUMBER: SD-54550-042

DOC TYPE: PSD

DOC PART: 001

REVISION: P

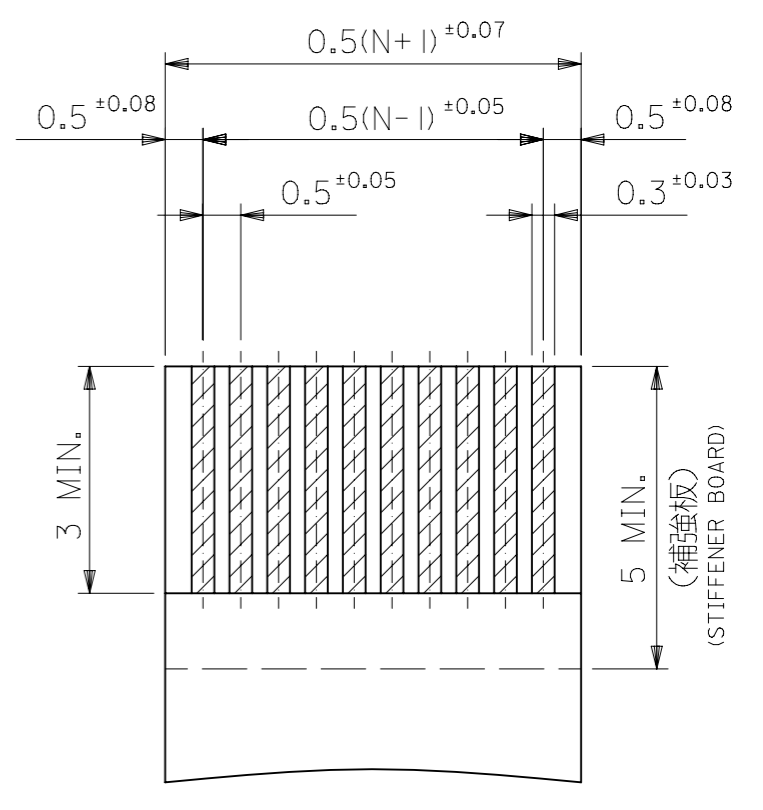
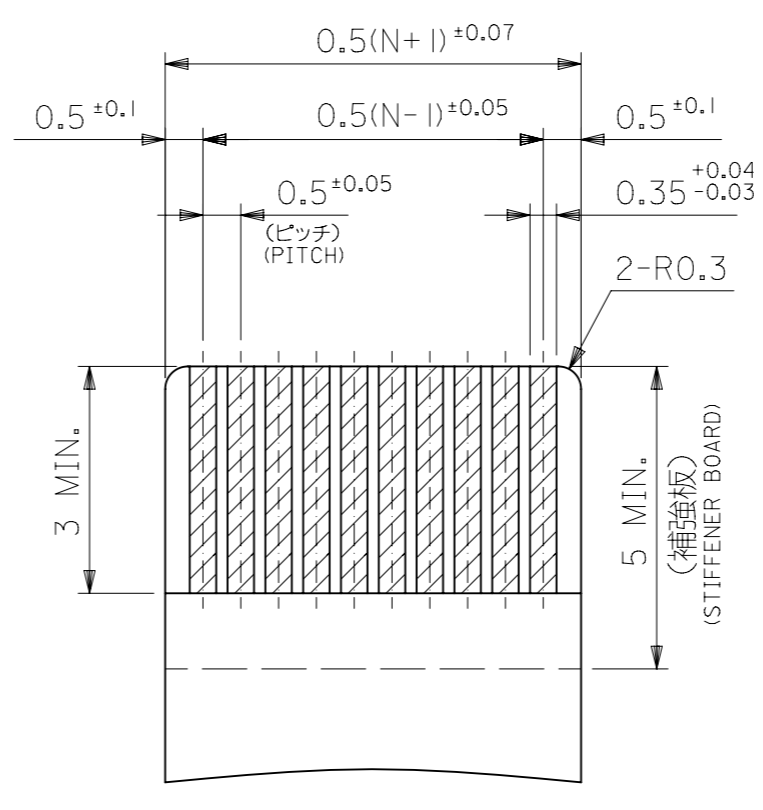
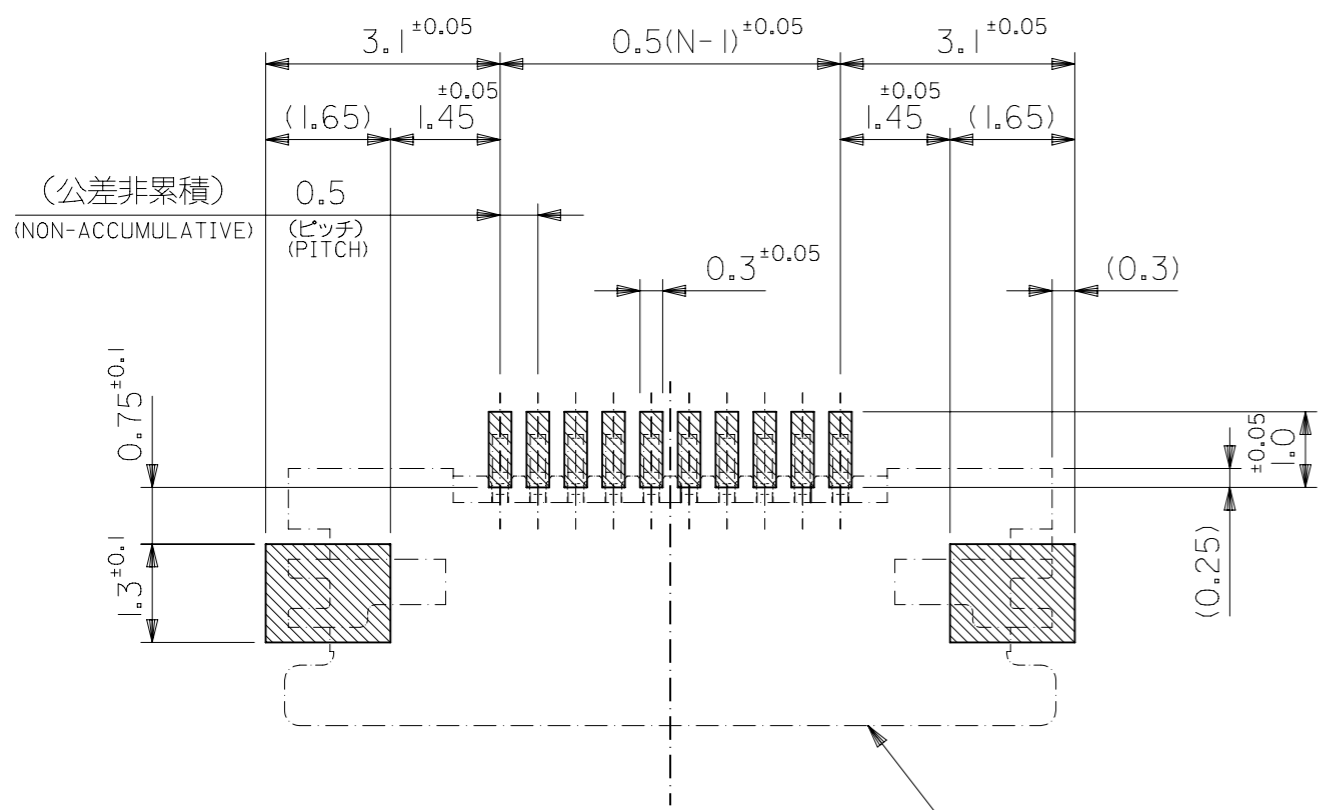
MATERIAL NUMBER: SEE TABLE

CUSTOMER: GENERAL MARKET

SHEET NUMBER: 1 OF 2

GENERAL TOLERANCES (UNLESS SPECIFIED)

|  |       |
|--|-------|
| 10 <sup>UNDER</sup>                    | ±0.2  |
| 10 <sup>OVER</sup> 30 <sup>UNDER</sup> | ±0.25 |
| 30 <sup>OVER</sup>                     | ±0.3  |



参考基板レイアウト  
RECOMMENDED P.C.BOARD  
PATTERN DIMENSION (REF.)  
(マウント面)  
(MOUNTING SIDE)

コネクタ位置  
CONNECTOR POSITION

適合FPC推奨寸法  
APPLICABLE FPC  
RECOMMENDED DIMENSION  
(仕上がり厚さ:表参照)  
(THICKNESS:SEE CHART)

適合FFC推奨寸法  
APPLICABLE FFC  
RECOMMENDED DIMENSION  
(仕上がり厚さ:表参照)  
(THICKNESS:SEE CHART)

注記 NOTES

1. 使用材料 MATERIAL
- ハウジング : LCP, UL94V-0
  - アクチュエータ : PPS, UL94V-0
  - ターミナル : リン青銅
  - メッキ : 接点部:金メッキ
  - 金具 : リン青銅, ニッケル下地 錫メッキ
2. インボステープ梱包時は、アクチュエータがロックした状態とする。
3. ソルダータール半田付け面のズレ量、及び金具半田付け面のズレ量は、基準面 Z に対し上方向 0MAX.、下方向 0.15MAX.とし 相互のパラッキ量は0.1MAX.とする。
4. 偶数極に適用。
5. パターンはくり止め用金具
6. ゲート部は、左右どちらか一方にあるものとする。
7. 本製品は 54550-\*\*27 の鉛フリー品である。
8. N: 極数 N: CIRCUIT.
9. ELV 及び RoHS 適合品 / ELV AND RoHS COMPLIANT.

FPC/FFC について:

打ち抜き方向は導体側から補強板側を推奨します。  
導体部については軟銅箔35μmまたは50μmを推奨します。

ABOUT FPC/FFC

RECOMMENDED PUNCHER DIRECTION : FROM CONDUCTOR SIDE TO STIFFENER FILM SIDE.  
RECOMMENDED CONDUCTOR SPEC : THICKNESS OF SOFT COPPER FOIL : 35 MICROMETER OR 50 MICROMETER.

FPC について:

補強フィルム材質はポリイミドを推奨します。ベースフィルムは25μmを推奨します。  
接着剤は熱硬化接着剤を推奨します。  
尚、接着剤の接点部への付着は導通不良の原因になりますので、染み出しが無い様、お願い致します。

ABOUT FPC

RECOMMENDED MATERIAL/THICKNESS.  
STIFFENER FILM : POLYIMIDE  
BASE FILM THICKNESS : 25μm  
BONDING AGENT : THERMOSETTING BONDING AGENT  
PLEASE PUT APPROPRIATE AMOUNT OF ADHESIVE ON THE CONTACT AREA BECAUSE THE EXTRA ADHESIVE MAY CAUSE THE DEFECT IN ELECTRICAL CONTINUITY.

補強板 : ポリイミド

STIFFNER BOARD: POLYIMIDE

熱硬化接着剤

THERMOSETTING ADHESIVE

ベースフィルム : ポリイミド (25μm)

BASE FILM: POLYIMIDE (25μm)

熱硬化接着剤

THERMOSETTING ADHESIVE

導体部 : 銅箔 (35μm)

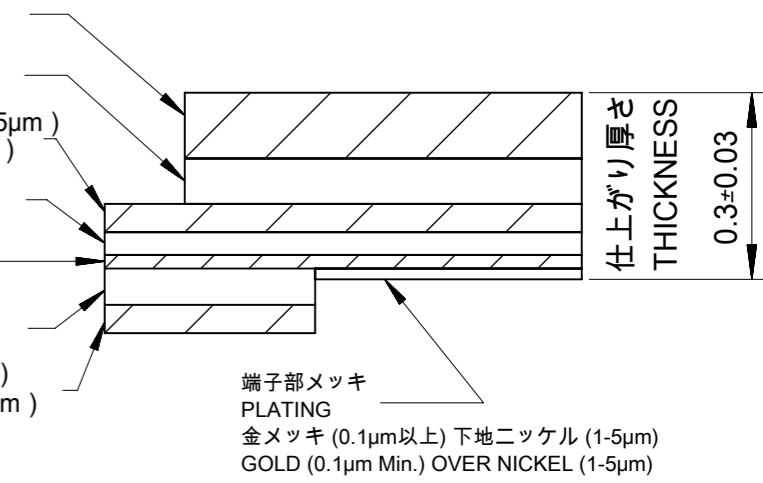
COPPER FOIL (35μm)

熱硬化接着剤

THERMOSETTING ADHESIVE

カバーレイ : ポリイミド (25μm)

COVER FILM: POLYIMIDE (25μm)



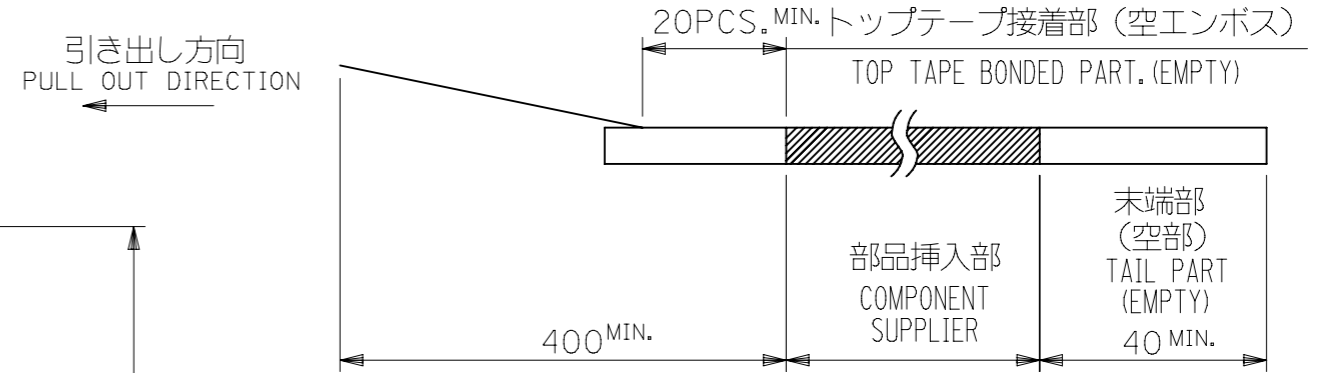
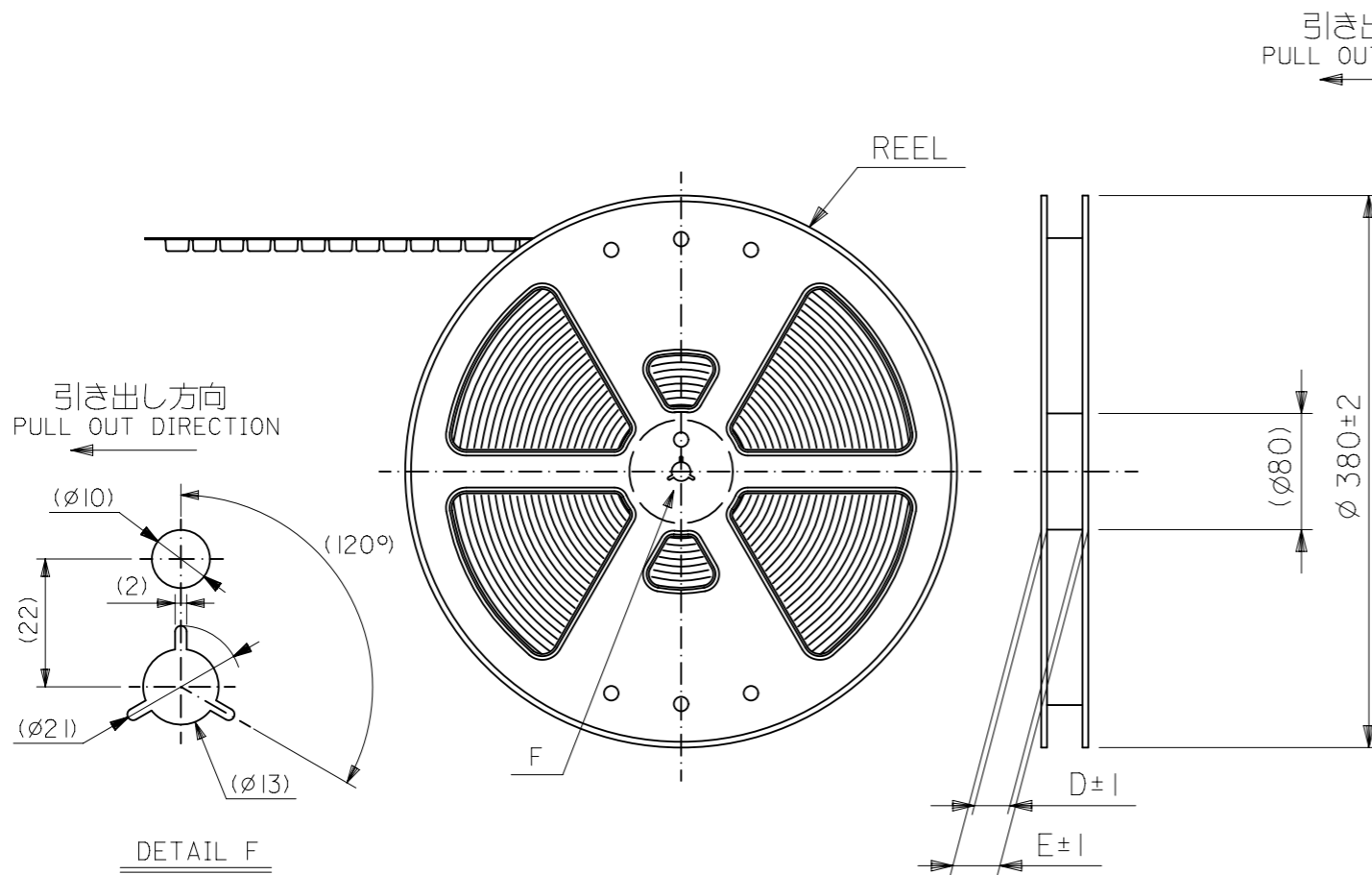
FPC構成推奨仕様  
STRUCTURE OF FPC

|   |       |                              |  |   |  |
|---|-------|------------------------------|--|---|--|
| THIS DRAWING CONTAINS INFORMATION THAT IS PROPRIETARY TO MOLEX ELECTRONIC TECHNOLOGIES, LLC AND SHOULD NOT BE USED WITHOUT WRITTEN PERMISSION |       | CURRENT REV DESC:            |  | <b>molex</b>                                |  |
| DIMENSION UNITS   | SCALE | EC NO: 643543                |  |   |  |
| mm  | 1:1   | DRWN: AHMADI2 2020/08/18     |  | 0.5 FPC CONN. HSG ASSY FOR SMT RA U/CONTACT |  |
| GENERAL TOLERANCES (UNLESS SPECIFIED)   |       | CHK'D: HSHIMOYAMA 2020/08/20 |  | PRODUCT CUSTOMER DRAWING                    |  |
| ANGULAR TOL ± 3.0°  |       | APPR: SHOSHIKAWA 2020/08/20  |  | DOCUMENT NUMBER                             |  |
| 4 PLACES ±  |       | INITIAL REVISION:            |  | SD-54550-042                                |  |
| 3 PLACES ±  |       | DRWN: MNINOMIYA 2004/03/02   |  | DOC TYPE                                    |  |
| 2 PLACES ±  |       | APPR: MSASAO 2004/03/05      |  | PSD   |  |
| 1 PLACE ±   |       | SERIES                       |  | 001   |  |
| 0 PLACES ±  |       | 54550                        |  | P   |  |
| DRAFT WHERE APPLICABLE MUST REMAIN WITHIN DIMENSIONS  |       | THIRD ANGLE PROJECTION       |  | MATERIAL NUMBER                             |  |
|   |       | DRAWING                      |  | CUSTOMER                                    |  |
|   |       | A3-SIZE                      |  | GENERAL MARKET                              |  |
|   |       | SHEET NUMBER                 |  | 2 OF 2                                      |  |

|  |       |
|--|-------|
| GENERAL TOLERANCES (UNLESS SPECIFIED)  |       |
| 10 <sup>UNDER</sup>                    | ±0.2  |
| 10 <sup>OVER</sup> 30 <sup>UNDER</sup> | ±0.25 |
| 30 <sup>OVER</sup>                     | ±0.3  |

NOTES

- 1. 製品詳細寸法については図面 SD-54550-042 を参照下さい。  
RE DETAILED DIMENSION, SEE SD-54550-042.
- 2. 梱包数量：3000個/リール  
NUMBER OF CONNECTORS : 3000PCS/REEL
- 3. リードテープ長さ LEAD TAPE LENGTH

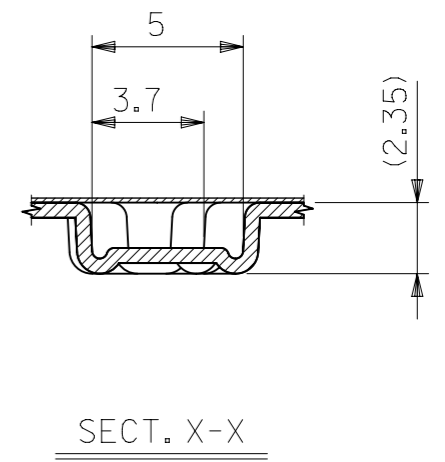
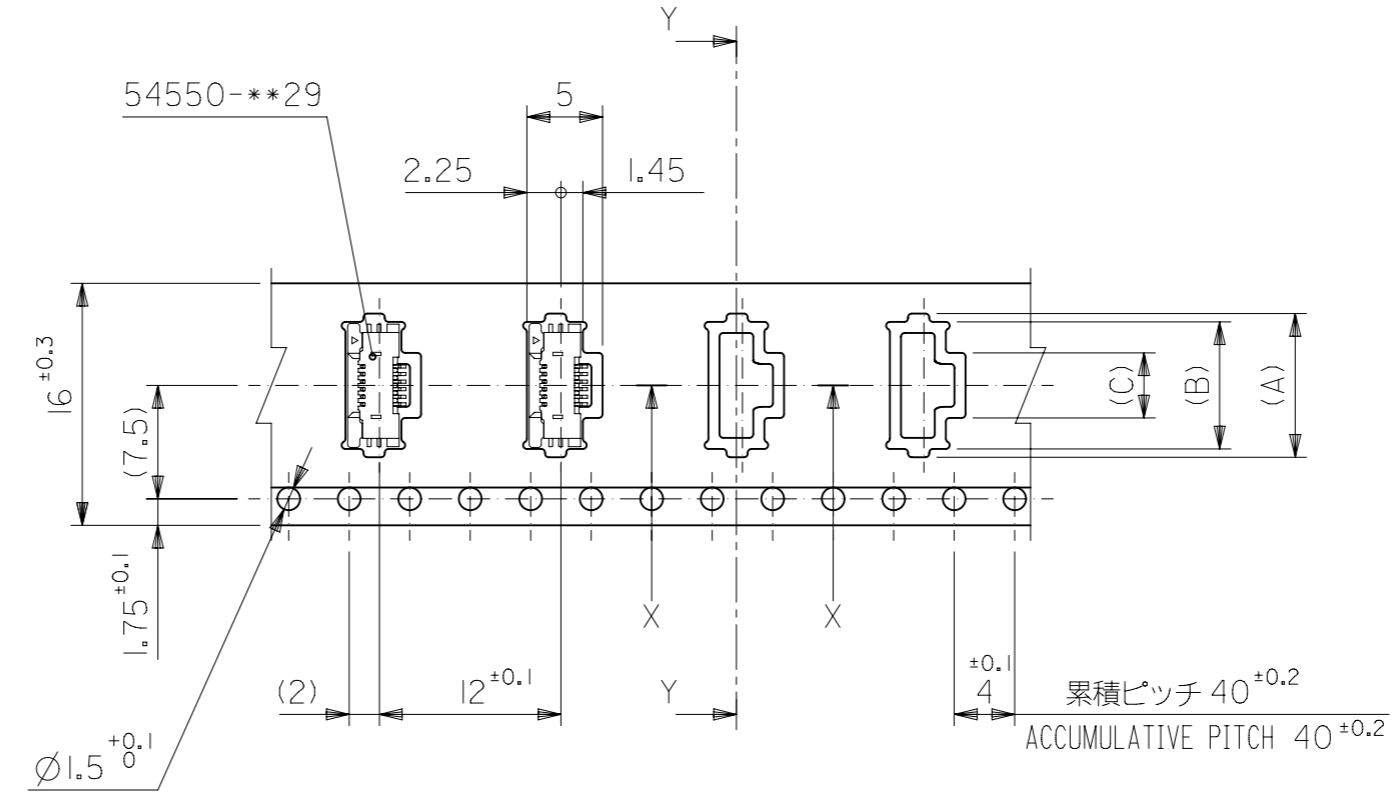
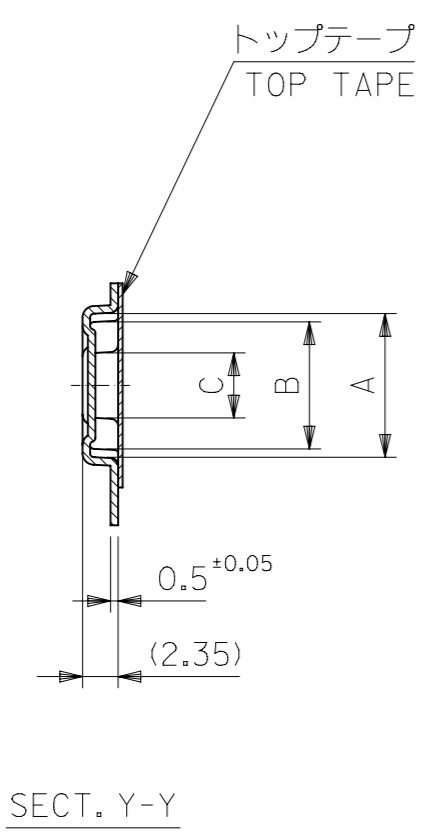


- 4. 材料(MATERIAL)  
キャリアテープ(CARRIER TAPE)：ポリプロピレン(POLYPROPYLENE)  
トップテープ(TOPTAPE)：PET, PE, PEF  
リール(REEL)：ポリスチレン(PS) <リサイクル材を含む>  
POLYSTYRENE(PS) <RECYCLE MATERIAL CONTAINED>
- 5. 本製品は 54550-\*\*9I の鉛フリー品である。  
THIS PRODUCT IS LEAD FREE OF 54550-\*\*9I.
- 6. ELV 及び RoHS 適合品 / ELV AND RoHS COMPLIANT.

|   |  |  |  |   |  |
|---|--|--|--|---|--|
| THIS DRAWING CONTAINS INFORMATION THAT IS PROPRIETARY TO MOLEX ELECTRONIC TECHNOLOGIES, LLC AND SHOULD NOT BE USED WITHOUT WRITTEN PERMISSION |  | CURRENT REV DESC: OBSOLETE PART NUMBER |  | <b>molex</b>                                |  |
| DIMENSION UNITS: mm   |  | SCALE: NTS                             |  |   |  |
| GENERAL TOLERANCES (UNLESS SPECIFIED)   |  |  |  | EMBSTP PKG FOR 0.5 FPC<br>CONN ZIF UPR CONT |  |
|   |  |  |  | PRODUCT CUSTOMER DRAWING                    |  |
| GENERAL TOLERANCES (UNLESS SPECIFIED)   |  |  |  | DOCUMENT NUMBER                             |  |
|   |  |  |  | SD-54550-043                                |  |
| 4 PLACES ±  |  |  |  | DOC TYPE                                    |  |
| 3 PLACES ±  |  |  |  | PSD   |  |
| 2 PLACES ±  |  |  |  | DOC PART                                    |  |
| 1 PLACE ±   |  |  |  | 001   |  |
| 0 PLACES ±  |  |  |  | REVISION                                    |  |
| ANGULAR TOL ± 3.0°  |  |  |  | M   |  |
| DRAFT WHERE APPLICABLE MUST REMAIN WITHIN DIMENSIONS  |  |  |  | SHEET NUMBER                                |  |
| THIRD ANGLE PROJECTION  |  |  |  | 1 OF 3                                      |  |
| DRAWING   |  | SERIES                                 |  | MATERIAL NUMBER                             |  |
| A3-SIZE   |  | 54550                                  |  | SEE TABLE                                   |  |
| CUSTOMER  |  | GENERAL MARKET                         |  |   |  |

|  |       |
|--|-------|
| GENERAL TOLERANCES (UNLESS SPECIFIED)  |       |
| 10 <sup>UNDER</sup>                    | ±0.2  |
| 10 <sup>OVER</sup> 30 <sup>UNDER</sup> | ±0.25 |
| 30 <sup>OVER</sup>                     | ±0.3  |

引き出し方向  
PULL OUT DIRECTION



16mm幅キャリアテープ  
16mm WIDTH CARRIER TAPE

|                                |      |      |     |     |     |                      |           |
|--------------------------------|------|------|-----|-----|-----|----------------------|-----------|
| 16                             | 21.4 | 17.4 | 4.3 | 8.4 | 9.5 | 54550-0671           | 6         |
|                                |      |      | 3.8 | 7.9 | 9   | 54550-0571           | 5         |
|                                |      |      | 3.3 | 7.4 | 8.5 | 54550-0471           | 4         |
| キャリアテープ幅<br>CARRIER TAPE WIDTH | E    | D    | (C) | (B) | (A) | 製品番号<br>MATERIAL No. | 極数<br>CK+ |

THIS DRAWING CONTAINS INFORMATION THAT IS PROPRIETARY TO MOLEX ELECTRONIC TECHNOLOGIES, LLC AND SHOULD NOT BE USED WITHOUT WRITTEN PERMISSION

CURRENT REV DESC: OBSOLETE PART NUMBER

|  |       |                    |      |
|--|-------|--------------------|------|
| DIMENSION UNITS                        |       | SCALE              |      |
| mm                                     | NTS   |                    |      |
| GENERAL TOLERANCES (UNLESS SPECIFIED)  |       |                    |      |
|  |       | MM                 | INCH |
| 4 PLACES                               | ±     |                    |      |
| 3 PLACES                               | ±     |                    |      |
| 2 PLACES                               | ±     |                    |      |
| 1 PLACE                                | ±     |                    |      |
| 0 PLACES                               | ±     |                    |      |
| GENERAL TOLERANCES (UNLESS SPECIFIED)  |       | ANGULAR TOL ± 3.0° |      |
| 10 <sup>UNDER</sup>                    | ±0.2  |                    |      |
| 10 <sup>OVER</sup> 30 <sup>UNDER</sup> | ±0.25 |                    |      |
| 30 <sup>OVER</sup>                     | ±0.3  |                    |      |

EC NO: 636343  
DRWN: AKUMAR19 2020/04/22  
CHK'D: GGA 2020/07/10  
APPR: GGA 2020/07/10

INITIAL REVISION:  
DRWN: MNINOMIYA 2004/02/12  
APPR: MSASAO 2004/02/12

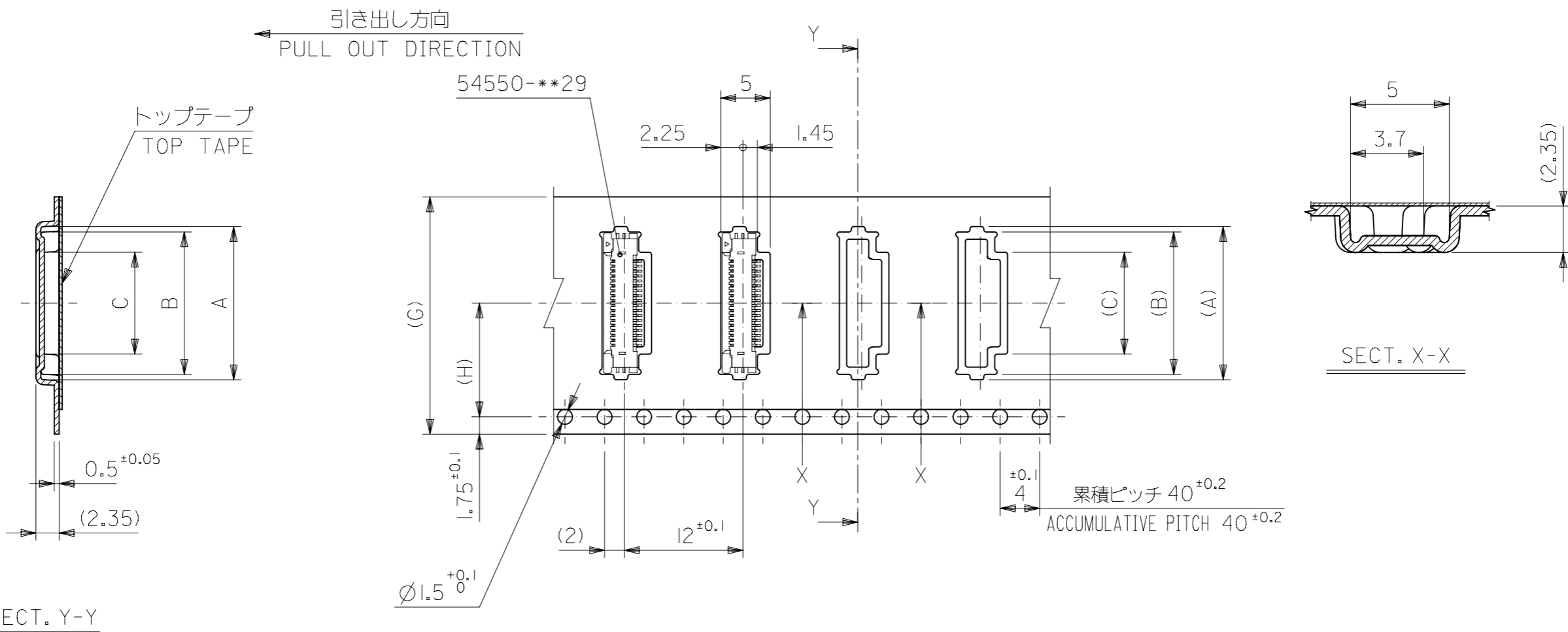
THIRD ANGLE PROJECTION

DRAFT WHERE APPLICABLE MUST REMAIN WITHIN DIMENSIONS

DOCUMENT NUMBER: SD-54550-043  
DOC TYPE: PSD  
DOC PART: 001  
REVISION: M

PRODUCT CUSTOMER DRAWING

SHEET NUMBER: 2 OF 3



24, 32mm幅キャリアテープ  
24mm, 32mm WIDTH CARRIER TAPE

|                                  |      |      |            |      |      |      |                      |           |
|----------------------------------|------|------|------------|------|------|------|----------------------|-----------|
| 32 <sup>±0.3</sup>               | 14.2 | 37.4 | 33.4       | 14.3 | 18.4 | 19.5 | 54550-2671           | 26        |
|                                  |      |      |            | 13.3 | 17.4 | 18.5 | 54550-2471           | 24        |
| 24 <sup>±0.3</sup>               | 11.5 | 29.4 | 25.4       | 11.8 | 15.9 | 17   | 54550-2171           | 21        |
|                                  |      |      |            | 11.3 | 15.4 | 16.5 | 54550-2071           | 20        |
|                                  |      |      |            | 10.3 | 14.4 | 15.5 | 54550-1871           | 18        |
|                                  |      |      |            | 9.3  | 13.4 | 14.5 | 54550-1671           | 16        |
|                                  |      |      |            | 8.3  | 12.4 | 13.5 | 54550-1471           | 14        |
|                                  |      |      |            | 7.3  | 11.4 | 12.5 | 54550-1271           | 12        |
|                                  |      |      |            | 6.3  | 10.4 | 11.5 | 54550-1071           | 10        |
| 5.8                              | 9.9  | 11   | 54550-0971 | 9    |      |      |                      |           |
| 5.3                              | 9.4  | 10.5 | 54550-0871 | 8    |      |      |                      |           |
| 4.8                              | 8.9  | 10   | 54550-0771 | 7    |      |      |                      |           |
| G キャリアテープ幅<br>CARRIER TAPE WIDTH | H    | E    | D          | (C)  | (B)  | (A)  | 製品番号<br>MATERIAL No. | 極数<br>Ck+ |

THIS DRAWING CONTAINS INFORMATION THAT IS PROPRIETARY TO MOLEX ELECTRONIC TECHNOLOGIES, LLC AND SHOULD NOT BE USED WITHOUT WRITTEN PERMISSION

SCALE: mm NTS

GENERAL TOLERANCES (UNLESS SPECIFIED)

| PLACES   | MM | INCH |
|----------|----|------|
| 4 PLACES | ±  | ±    |
| 3 PLACES | ±  | ±    |
| 2 PLACES | ±  | ±    |
| 1 PLACE  | ±  | ±    |
| 0 PLACES | ±  | ±    |

ANGULAR TOL ± 3.0°

DRAFT WHERE APPLICABLE MUST REMAIN WITHIN DIMENSIONS

THIRD ANGLE PROJECTION

DRAWING: A3-SIZE

SERIES: 54550

MATERIAL NUMBER: SEE TABLE

CUSTOMER: GENERAL MARKET

SHEET NUMBER: 3 OF 3

EC NO: 636343  
DRWN: AKUMAR19  
CHK'D: GGA  
APPR: GGA  
2020/04/22  
2020/07/10  
2020/07/10

INITIAL REVISION:  
DRWN: MNINOMIYA  
APPR: MSASAO  
2004/02/12  
2004/02/12

CURRENT REV DESC: OBSOLETE PART NUMBER

**molex**

EMBSTP PKG FOR 0.5 FPC  
CONN ZIF UPR CONT

PRODUCT CUSTOMER DRAWING

DOCUMENT NUMBER: SD-54550-043  
DOC TYPE: PSD  
DOC PART: 001  
REVISION: M

GENERAL TOLERANCES (UNLESS SPECIFIED)

|  |       |
|--|-------|
| 10 <sup>UNDER</sup>                    | ±0.2  |
| 10 <sup>OVER</sup> 30 <sup>UNDER</sup> | ±0.25 |
| 30 <sup>OVER</sup>                     | ±0.3  |