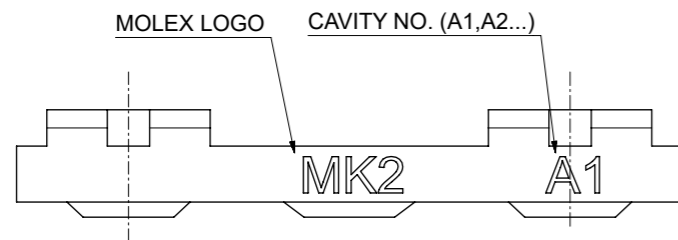
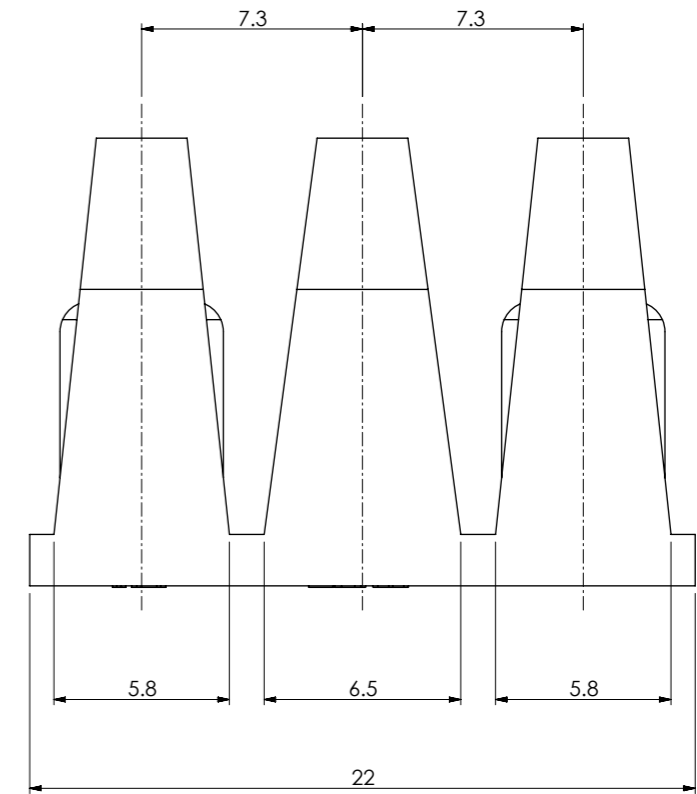
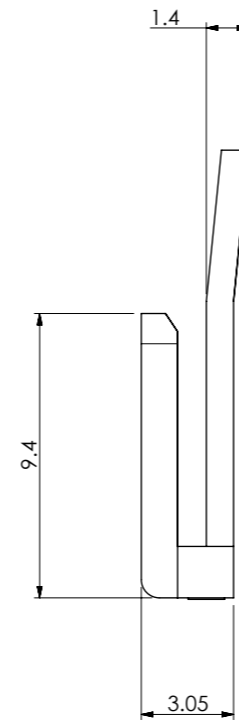
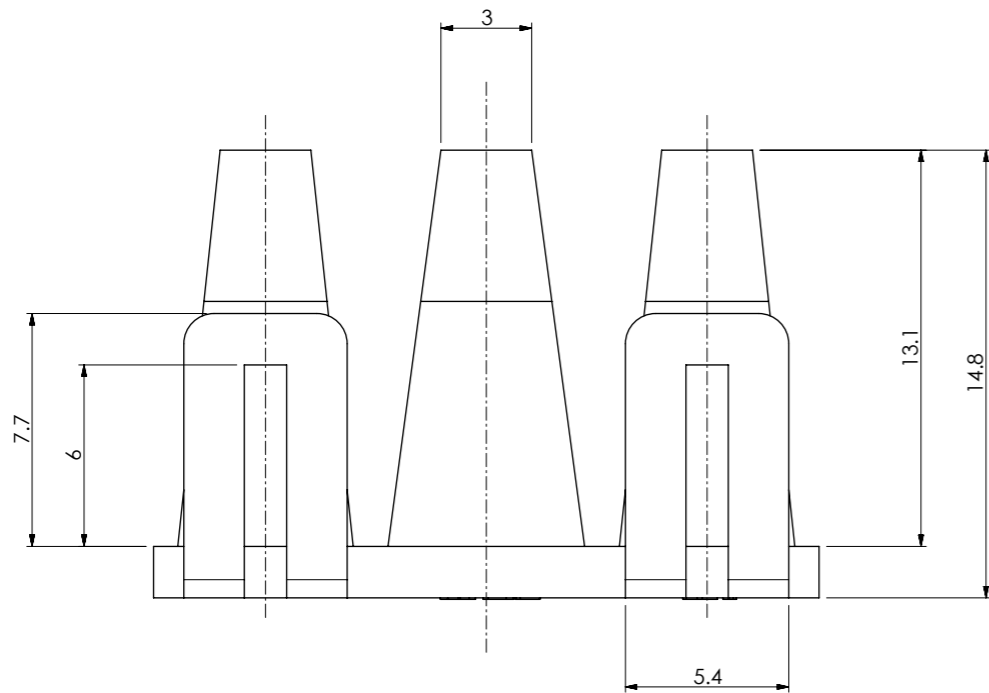
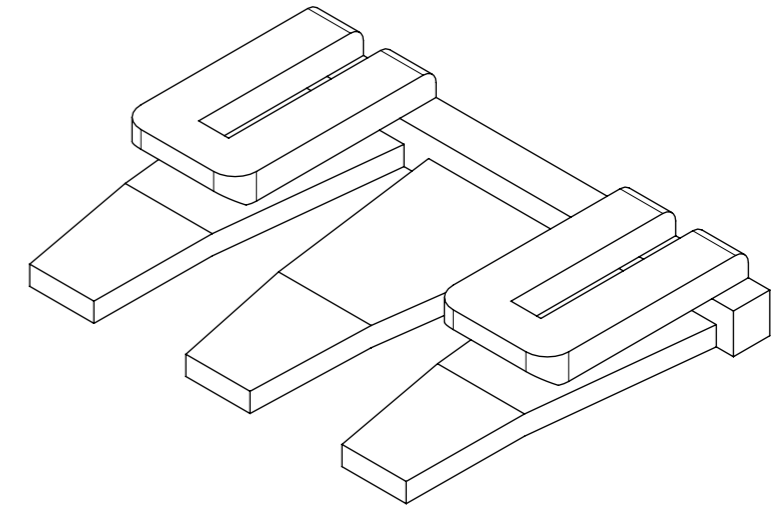


NOTE

1. MATERIAL : NYLON(PA6) UNFILLED, UL94V-0
COLOR : GRAY
2. APPLICATION HOUSING : 217347-0300
217348-0300
3. PRODUCT SPECIFICATION : 2173470000PS
4. PACKAGING SPECIFICATION : 2173470000PK



FUNCTIONAL SYMBOLS	THIS DRAWING CONTAINS INFORMATION THAT IS PROPRIETARY TO MOLEX ELECTRONIC TECHNOLOGIES, LLC AND SHOULD NOT BE USED WITHOUT WRITTEN PERMISSION		CURRENT REV DESC:		molex								
	FA = 0	mm							SCALE 4:1				
DIVISIONAL SYMBOLS	GENERAL TOLERANCES (UNLESS SPECIFIED)		EC NO: 743246 DRWN: JDPARK01 2023/03/17 CHK'D: SCHONG03 2023/03/22 APPR: AIDA 2023/03/23		HIGH TEMP VERSABLADE TPA 3P								
	FB = 0	ANGULAR TOL ± 3.0°											
	FC = 0	4 PLACES ±			INITIAL REVISION: DRWN: SCHONG03 2021/05/21 APPR: JBJIN 2021/10/28		PRODUCT CUSTOMER DRAWING						
	FD = 0	3 PLACES ±							DOCUMENT NUMBER 2173470390		DOC TYPE PSD	DOC PART 000	REVISION A1
	FE = 0	2 PLACES ± 0.35									MATERIAL NUMBER 2173470390		CUSTOMER GENERAL
FF = 0	1 PLACE ± 0.35												
FG = 0	0 PLACES ± 0.35	DRAFT WHERE APPLICABLE MUST REMAIN WITHIN DIMENSIONS		THIRD ANGLE PROJECTION	DRAWING A3-SIZE	SERIES 217347							