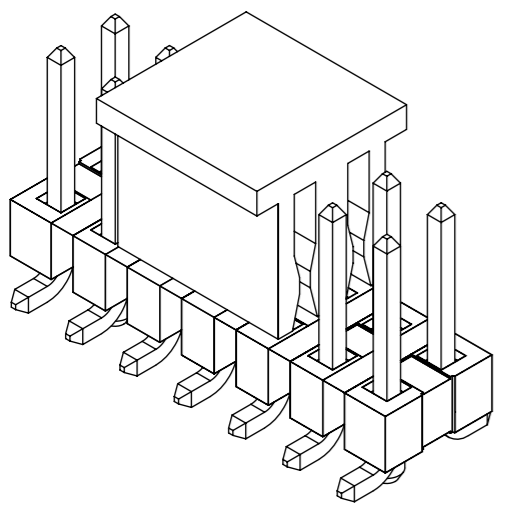


- NOTES:
- MATERIAL:
 - HSG: LCP, GLASS-FILLED, UL94V-0, COLOR: BLACK
 - CAP: NYLON, GLASS-FILLED, UL94V-0, COLOR: BLACK
 - PIN: 0.64MM SQ, COPPER ALLOY
 - PLATING TYPE:
 - (1) 0.38µm MIN. GOLD PLATE ON CONTACT AND 2.00µm MIN. TIN ON SOLDER TAIL OVER 1.25µm MIN. NICKEL OVERALL.
 - (2) 0.75µm MIN. GOLD PLATE ON CONTACT AND 2.00µm MIN. TIN ON SOLDER TAIL OVER 1.25µm MIN. NICKEL OVERALL.
 - (3) 2.50µm MIN. TIN OVERALL 1.25µm MIN. NICKEL OVERALL
 - PACKAGING TYPE: SEE TABLE
 - PCB THICKNESS 1.60±0.10mm
 - PRODUCT SPECIFICATION: PS-87920-019
 - WAFER TO BE FLAT WITHIN 0.003 mm/mm
 - △7 BEND DEPRESSION IS ACCEPTED SO LONG AS IT DOES NOT AFFECT THE OVERALL COPLANARITY OF TAIL
 - △8 COPLANARITY IS TO BE MEASURED BY RESTING THE SOLDER TAIL ON A FLAT SURFACE
 - △9 CAP LOCATION IS CENTERED ALONG THE MATING ENDS AS SHOWN. TOP SURFACE OF CAP TO BE FLAT FOR THE PURPOSE OF PICK & PLACE BY VACUUM SUCTION NOZZLE
 - △10 IRREGULAR CIRCUIT CUTOFF WITHIN BREAKAWAY SECTION IS PERMISSIBLE. CUTTING OR CHIPPING OF THE MAIN BODY IS NOT ACCEPTABLE
 - PARTS ARE NOT STACKABLE ON 2.54 CENTER
 - △12 COPLANARITY FOR SIZES UP TO 40 IS 0.15MM.
 - THE ABOVE CKT 14 IS FOR ILLUSTRATION PURPOSE ONLY
 - TUBE LENGTH IS 560MM PER STANDARD
 - PACKAGING SPECIFICATION: TUBE: PK-89990-478
TAPE & REEL : PK-89990-479
TRAY : PK-89990-489



THIS DRAWING CONTAINS INFORMATION THAT IS PROPRIETARY TO MOLEX ELECTRONIC TECHNOLOGIES, LLC AND SHOULD NOT BE USED WITHOUT WRITTEN PERMISSION		CURRENT REV DESC:			
DIMENSION UNITS	SCALE				
mm	NTS			CUSTOM HEADER	
GENERAL TOLERANCES (UNLESS SPECIFIED)				2.54MM PITCH DUAL ROW HEADER SINGLE WAFER SMT	
		MM	INCH	PRODUCT CUSTOMER DRAWING	
4 PLACES	±	±	±	DOCUMENT NUMBER	
3 PLACES	±	±	±	DOC TYPE	
2 PLACES	±	0.2	±	DOC PART	
1 PLACE	±	±	±	REVISION	
0 PLACES	±	±	±	SD-87920-020	
ANGULAR TOL ± 3.0°				PSD	001
DRAFT WHERE APPLICABLE MUST REMAIN WITHIN DIMENSIONS		THIRD ANGLE PROJECTION	DRAWING	SERIES	SHEET NUMBER
			A3-SIZE	87920	1 OF 11
				MATERIAL NUMBER	CUSTOMER
				SEE TABLE	GENERAL MARKET

10

9

8

7

6

5

4

3

2

1

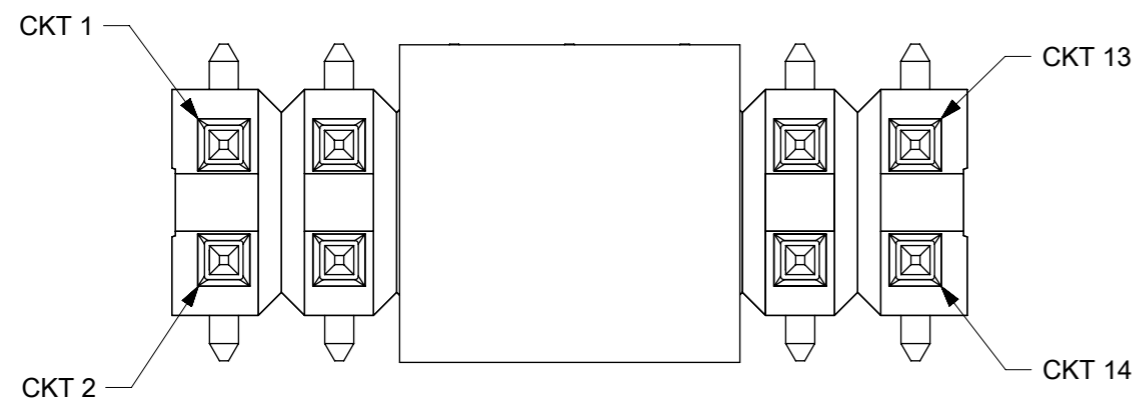
F

F

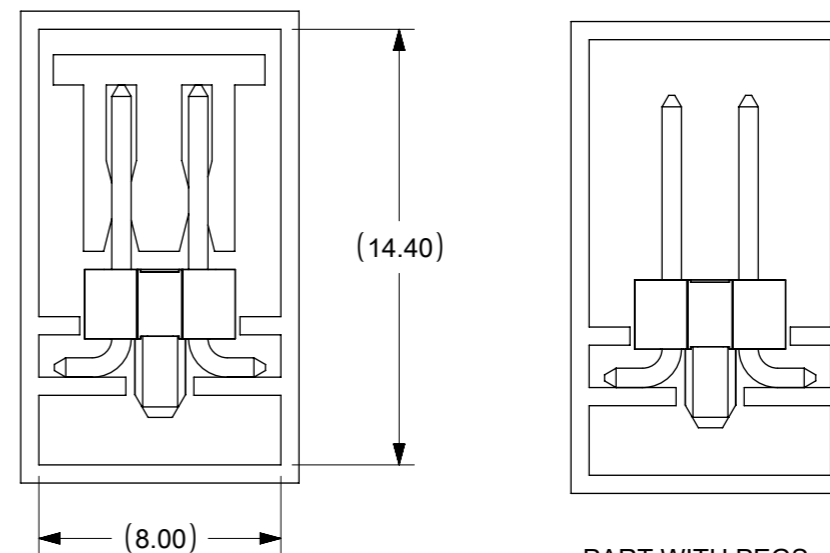
E

E

CIRCUITS POSITION CONFIGURATION

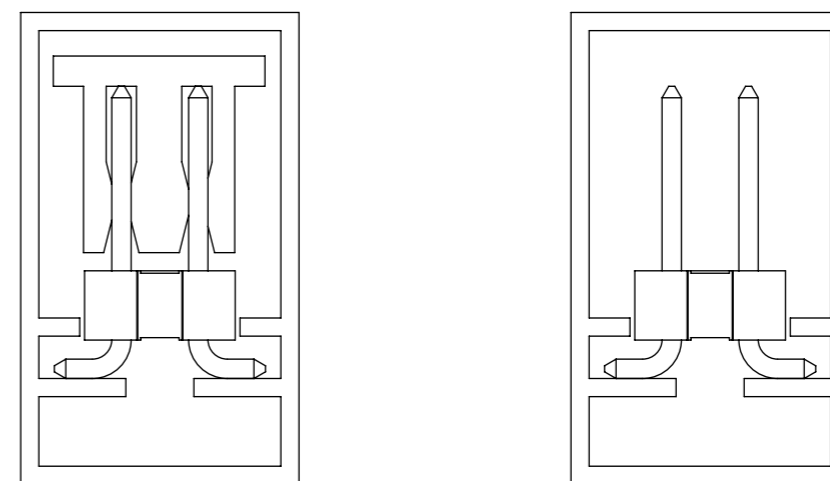


PART PACKED IN TUBE ORIENTATION



PART WITH PEGS WITH CAP IN TUBE

PART WITH PEGS WITHOUT CAP IN TUBE



PART WITHOUT PEGS WITH CAP IN TUBE

PART WITHOUT PEGS WITHOUT CAP IN TUBE

THIS DRAWING CONTAINS INFORMATION THAT IS PROPRIETARY TO MOLEX ELECTRONIC TECHNOLOGIES, LLC AND SHOULD NOT BE USED WITHOUT WRITTEN PERMISSION											
DIMENSION UNITS		SCALE		CURRENT REV DESC:						molex	
mm		NTS									
GENERAL TOLERANCES (UNLESS SPECIFIED)				EC NO: 694093		DRWN: DANUSA		2022/01/21		CUSTOM HEADER	
				CHK'D: DANUSA		2022/02/01		2.54MM PITCH DUAL ROW HEADER SINGLE WAFER		SMT	
				APPR: MRAMAKRISHNA		2022/02/03		PRODUCT CUSTOMER DRAWING			
				INITIAL REVISION:		DRWN: SKLIM01		2006/02/09		DOCUMENT NUMBER	
				APPR: MLONG		2010/02/08		SD-87920-020		DOC TYPE	
				ANGULAR TOL ± 3.0°		SERIES		87920		DOC PART	
				DRAFT WHERE APPLICABLE MUST REMAIN WITHIN DIMENSIONS		THIRD ANGLE PROJECTION		DRAWING		REVISION	
						A3-SIZE		MATERIAL NUMBER		SEE TABLE	
						GENERAL MARKET		CUSTOMER		SHEET NUMBER	
						2 OF 11					

9

8

7

6

5

4

3

2

1

A

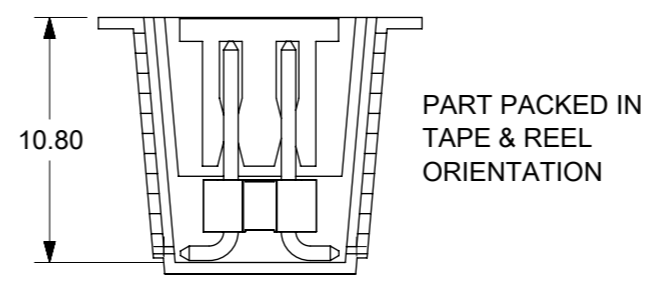
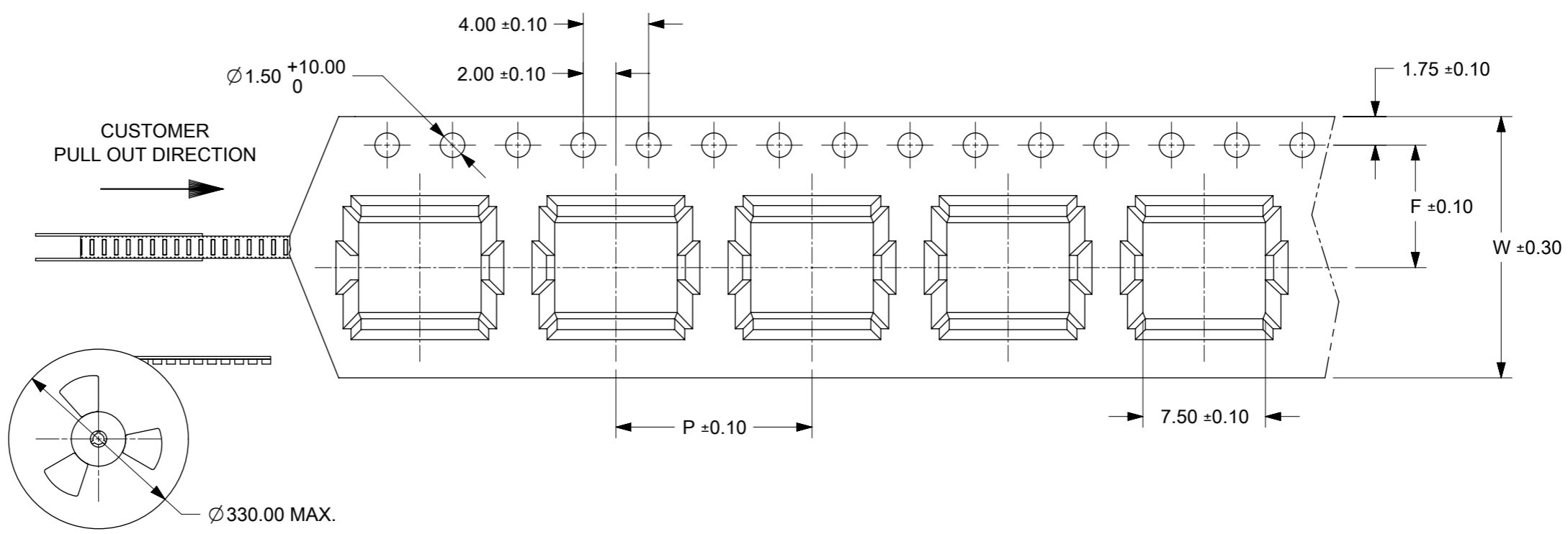
A

A

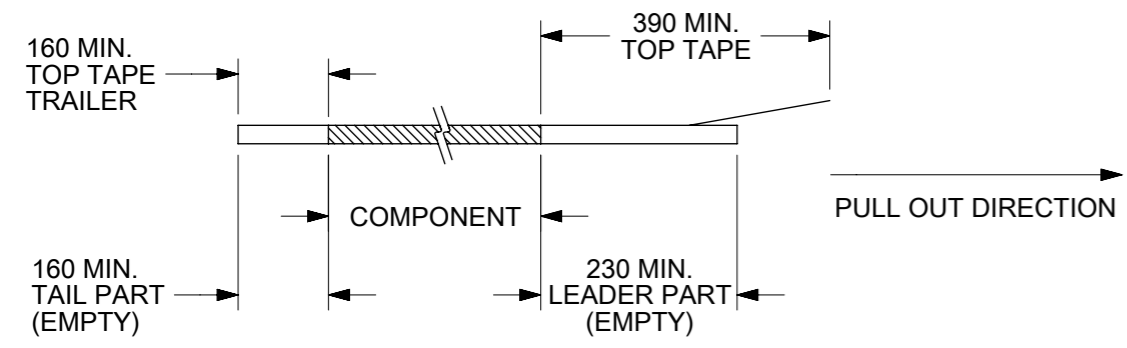
A

CKT	F	P1	W
04	7.50	12.00	16.00

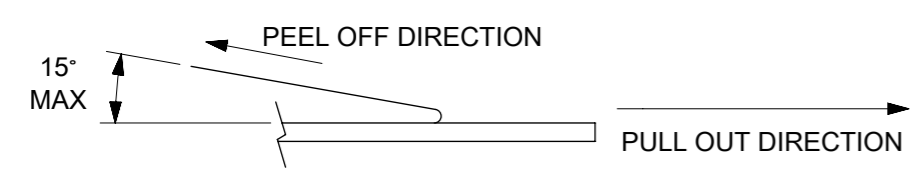
THIS TYPE OF CARRIER TAPE IS FOR CKT SIZE 04 ONLY



NOTES:
1. LEADER AND TRAILER TAPE



2. PEELING OFF FORCE OF THE TOP TAPE: 20-80gf.
(PEELING DIRECTION AS SHOWN IN FOLLOWING FIGURE)



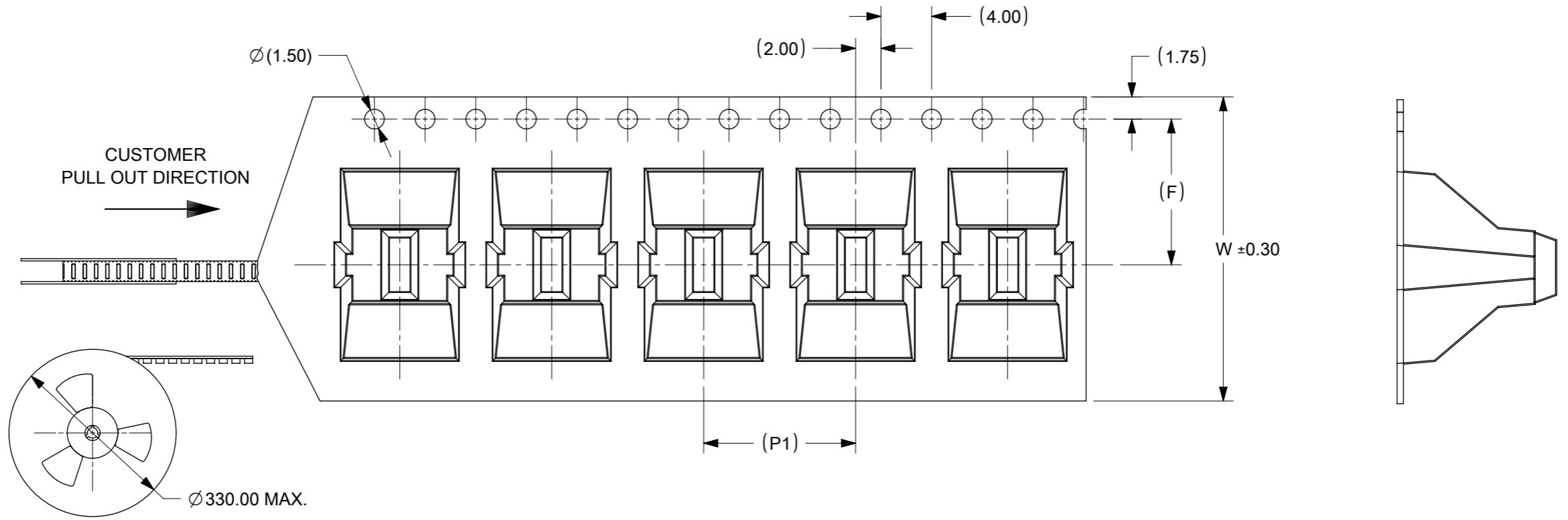
3. PACKAGING STANDARD IS AS PER EIA-481.
4. TAPE & REEL QUANTITY = 500PCS/REEL
5. THE TAPE IS TREATED FOR ANTI-STATIC.

THIS DRAWING CONTAINS INFORMATION THAT IS PROPRIETARY TO MOLEX ELECTRONIC TECHNOLOGIES, LLC AND SHOULD NOT BE USED WITHOUT WRITTEN PERMISSION		CURRENT REV DESC:		molex	
DIMENSION UNITS	SCALE	EC NO: 694093			
mm	NTS	DRWN: DANUSA 2022/01/21		CUSTOMER	
GENERAL TOLERANCES (UNLESS SPECIFIED)		CHK'D: DANUSA 2022/02/01		2.54MM PITCH DUAL ROW HEADER SINGLE WAFER SMT	
		MM	INCH	PRODUCT CUSTOMER DRAWING	
4 PLACES	±			DOCUMENT NUMBER	
3 PLACES	±			DOC TYPE	
2 PLACES	± 0.2			DOC PART	
1 PLACE	±			REVISION	
0 PLACES	±			SD-87920-020	
ANGULAR TOL ± 3.0°		INITIAL REVISION:		PSD	
		DRWN: SKLIM01 2010/02/08		001	
		APPR: MLONG		D11	
DRAFT WHERE APPLICABLE MUST REMAIN WITHIN DIMENSIONS		THIRD ANGLE PROJECTION	DRAWING	MATERIAL NUMBER	CUSTOMER
			A3-SIZE	SEE TABLE	GENERAL MARKET
		SERIES	87920	SHEET NUMBER	
				3 OF 11	

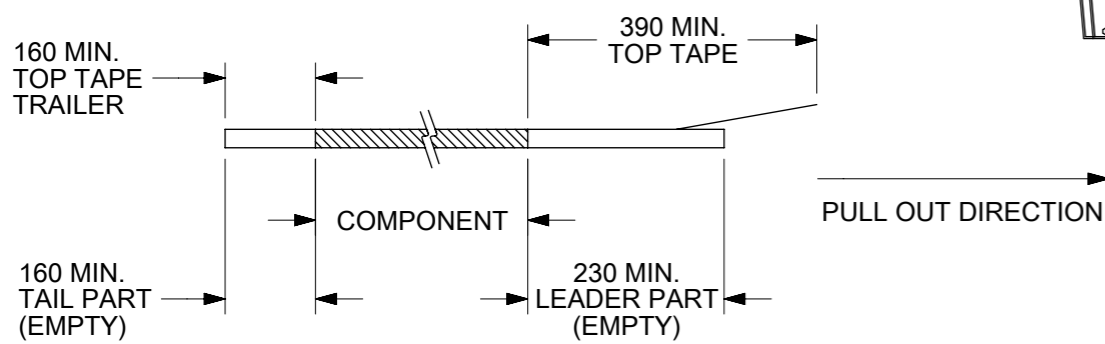
DOCUMENT STATUS	P1	RELEASE DATE	2022/02/03 03:19:19
-----------------	----	--------------	---------------------

CKT	F	P1	W
06	11.50	12.00	24.00

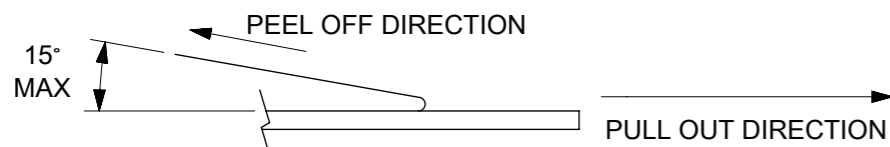
THIS TYPE OF CARRIER TAPE IS FOR CKT SIZE 06 ONLY



NOTES:
1. LEADER AND TRAILER TAPE

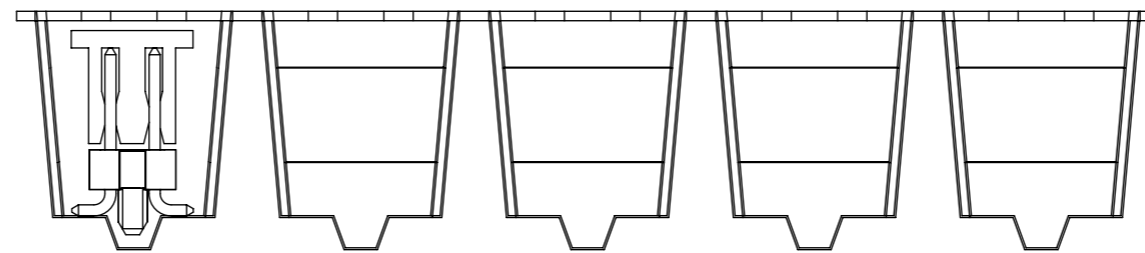


2. PEELING OFF FORCE OF THE TOP TAPE: 20-80gf.
(PEELING DIRECTION AS SHOWN IN FOLLOWING FIGURE)



3. PACKAGING STANDARD IS AS PER EIA-481.
4. TAPE & REEL QUANTITY = 440PCS/REEL
5. THE TAPE IS TREATED FOR ANTI-STATIC.

PART PACKED IN TAPE & REEL ORIENTATION

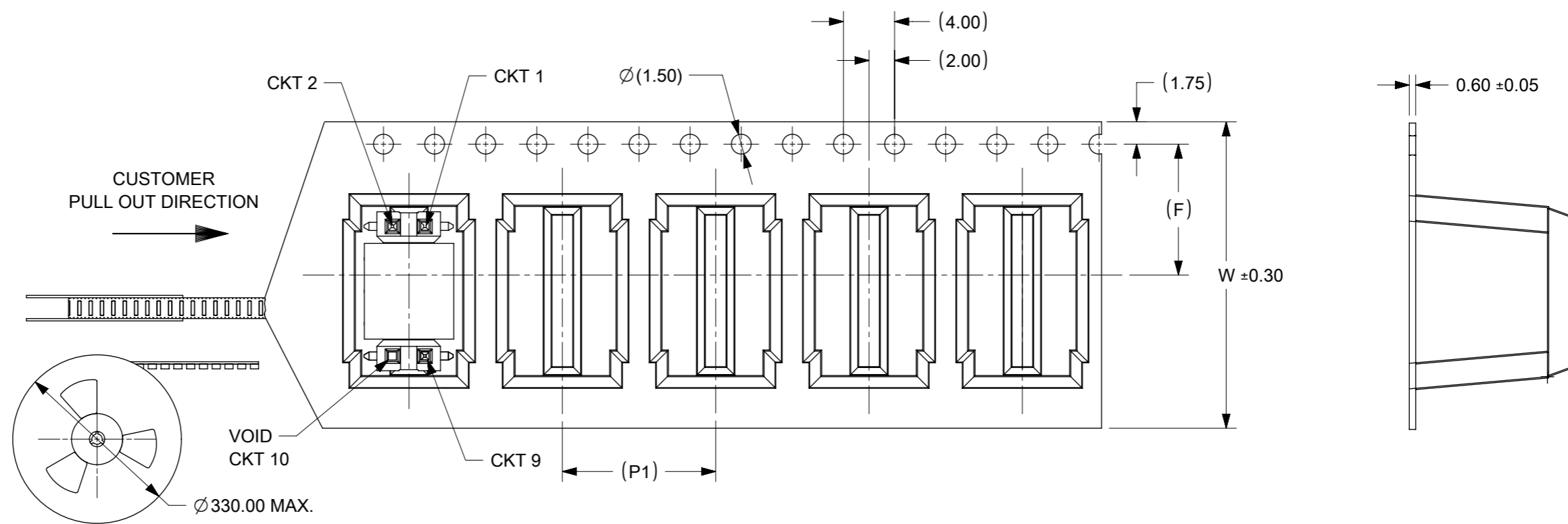


THIS DRAWING CONTAINS INFORMATION THAT IS PROPRIETARY TO MOLEX ELECTRONIC TECHNOLOGIES, LLC AND SHOULD NOT BE USED WITHOUT WRITTEN PERMISSION		CURRENT REV DESC:		molex	
DIMENSION UNITS	SCALE	EC NO: 694093			
mm	NTS	DRWN: DANUSA		CUSTOMER	
GENERAL TOLERANCES (UNLESS SPECIFIED)		CHK'D: DANUSA		2.54MM PITCH DUAL ROW HEADER SINGLE WAFER SMT	
	MM	INCH	APPR: MRAMAKRISHNA		PRODUCT CUSTOMER DRAWING
4 PLACES	±	±	INITIAL REVISION:		DOCUMENT NUMBER
3 PLACES	±	±	DRWN: SKLIM01		DOC TYPE
2 PLACES	±	0.2	APPR: MLONG		DOC PART
1 PLACE	±	±	2010/02/08		REVISION
0 PLACES	±	±	2006/02/09		SD-87920-020
ANGULAR TOL ± 3.0°		THIRD ANGLE PROJECTION		MATERIAL NUMBER	
DRAFT WHERE APPLICABLE MUST REMAIN WITHIN DIMENSIONS		DRAWING		CUSTOMER	
		A3-SIZE		GENERAL MARKET	
		SERIES		SHEET NUMBER	
		87920		4 OF 11	

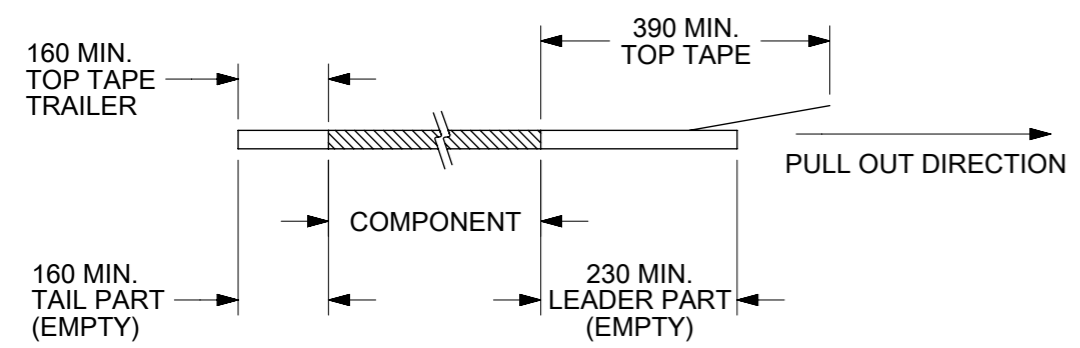
DOCUMENT STATUS	P1	RELEASE DATE	2022/02/03	03:19:19
-----------------	----	--------------	------------	----------

CKT	F	P1	W
08	11.50	12.00	24.00
10	11.50	12.00	24.00

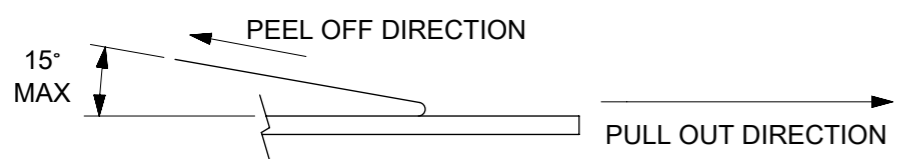
THIS TYPE OF CARRIER TAPE IS FOR CKT SIZE 08 AND 10 ONLY



NOTES:
1. LEADER AND TRAILER TAPE

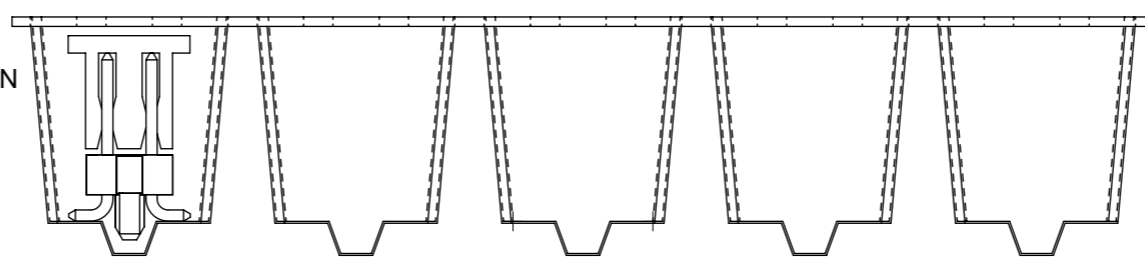


2. PEELING OFF FORCE OF THE TOP TAPE: 20-80gf.
(PEELING DIRECTION AS SHOWN IN FOLLOWING FIGURE)



- 3. PACKAGING STANDARD IS AS PER EIA-481.
- 4. TAPE & REEL QUANTITY = 440PCS/REEL
- 5. THE TAPE IS TREATED FOR ANTI-STATIC.
- 6. ATTACHED ABOVE CONNECTOR IN T&R WITH VOID CKT#10 IS FOR ILLUSTRATION ONLY.

PART PACKED IN TAPE & REEL ORIENTATION

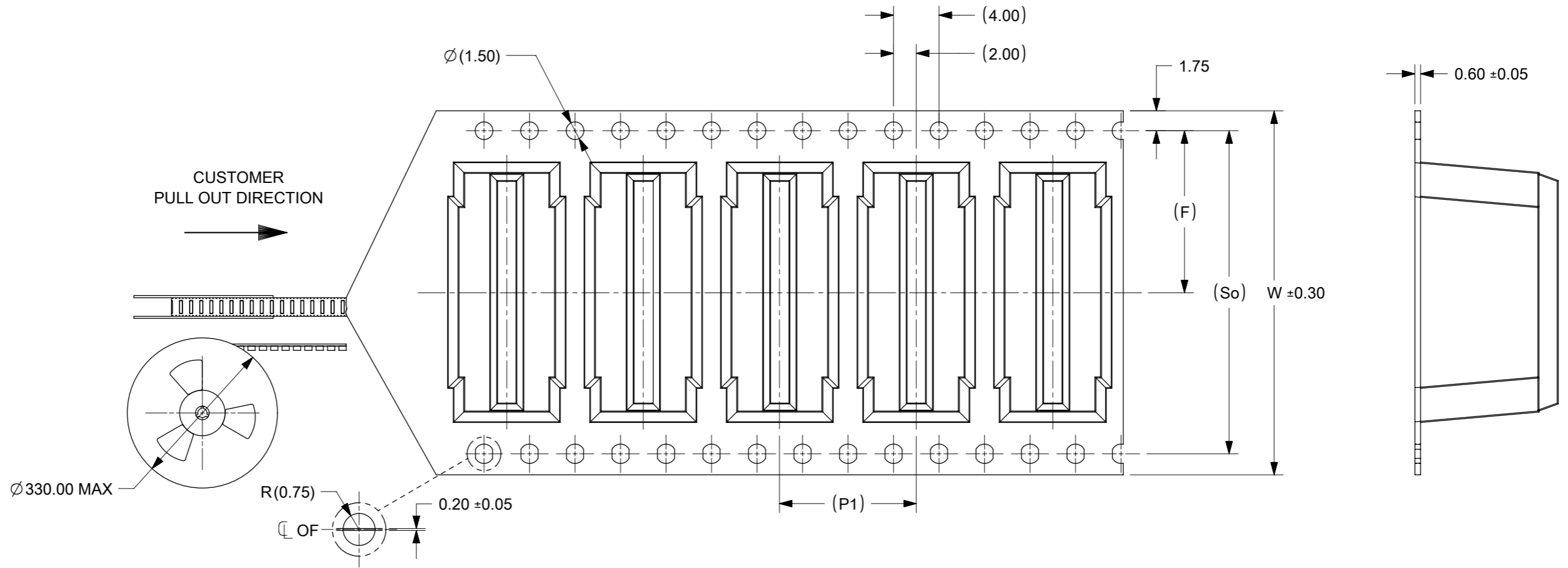


THIS DRAWING CONTAINS INFORMATION THAT IS PROPRIETARY TO MOLEX ELECTRONIC TECHNOLOGIES, LLC AND SHOULD NOT BE USED WITHOUT WRITTEN PERMISSION		CURRENT REV DESC:		molex	
DIMENSION UNITS: mm		SCALE: NTS			
GENERAL TOLERANCES (UNLESS SPECIFIED)				2.54MM PITCH DUAL ROW HEADER SINGLE WAFER SMT	
				PRODUCT CUSTOMER DRAWING	
4 PLACES ±				DOCUMENT NUMBER	
3 PLACES ±				SD-87920-020	
2 PLACES ± 0.2				DOC TYPE	
1 PLACE ±				PSD	
0 PLACES ±				DOC PART	
ANGULAR TOL ± 3.0°				001	
DRAFT WHERE APPLICABLE MUST REMAIN WITHIN DIMENSIONS		THIRD ANGLE PROJECTION		REVISION	
		DRAWING: A3-SIZE		D11	
		SERIES: 87920		SHEET NUMBER	
		MATERIAL NUMBER: SEE TABLE		5 OF 11	
		CUSTOMER: GENERAL MARKET			

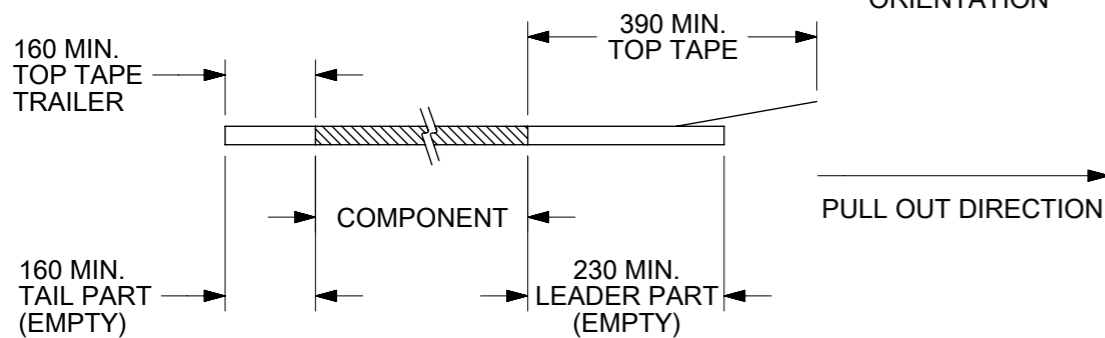
DOCUMENT STATUS	P1	RELEASE DATE	2022/02/03	03:19:19
-----------------	----	--------------	------------	----------

CKT	F	P1	So	W
12	14.20	12.00	28.40	32.00
14	14.20	12.00	28.40	32.00
16	14.20	12.00	28.40	32.00
20	20.20	12.00	40.40	44.00

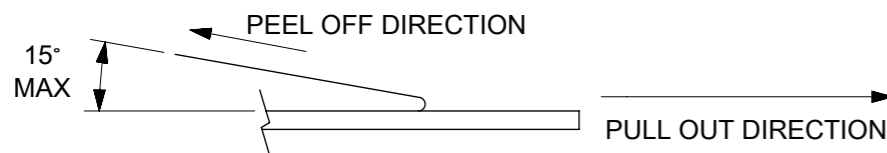
THIS TYPE OF CARRIER TAPE IS FOR CKT SIZE 12, 14, 16 AND 20



NOTES:
1. LEADER AND TRAILER TAPE

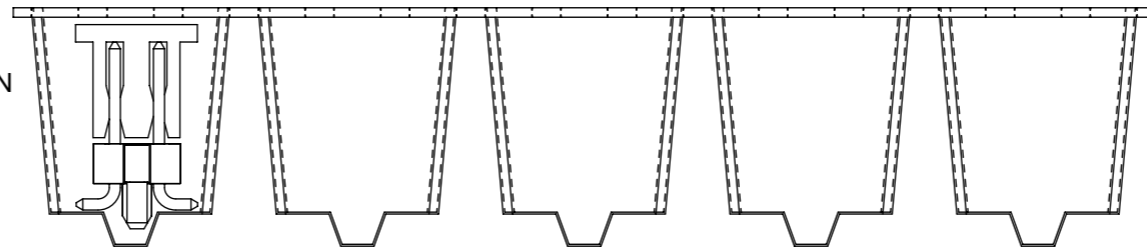


2. PEELING OFF FORCE OF THE TOP TAPE: 20-80gf.
(PEELING DIRECTION AS SHOWN IN FOLLOWING FIGURE)



- 3. PACKAGING STANDARD IS AS PER EIA-481.
- 4. TAPE & REEL QUANTITY = 440PCS/REEL
- 5. THE TAPE IS TREATED FOR ANTI-STATIC.

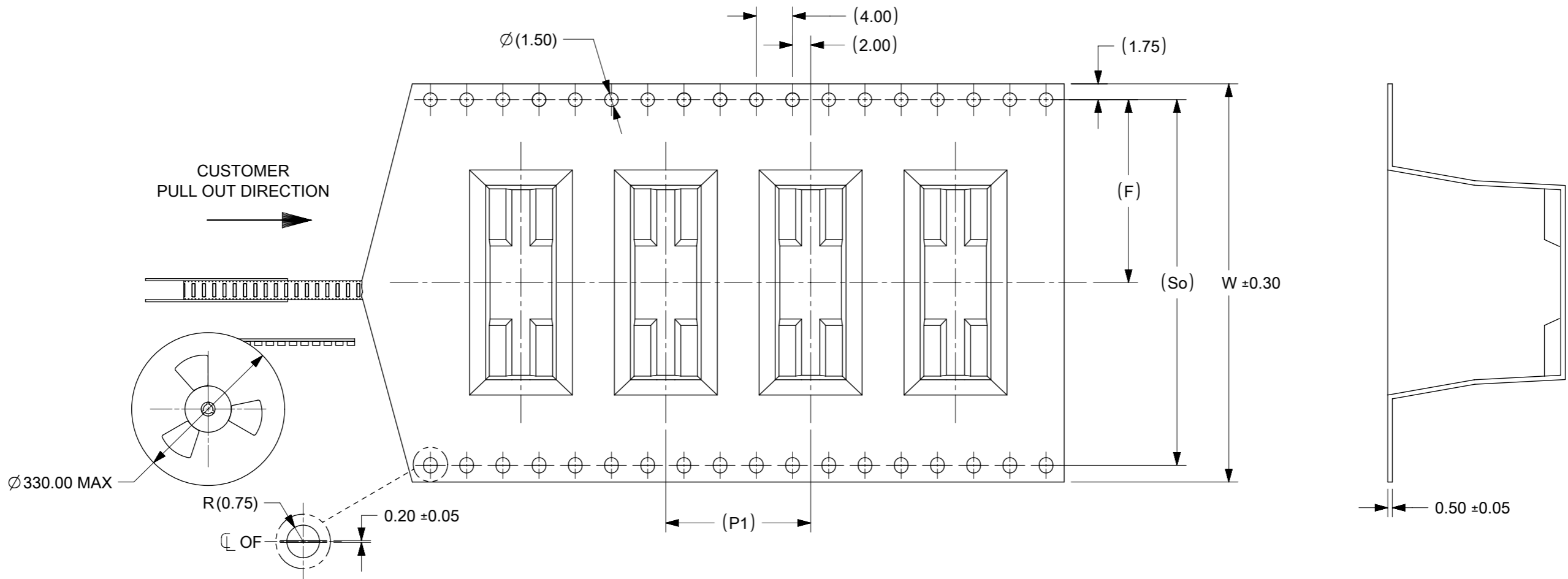
PART PACKED IN
TAPE & REEL
ORIENTATION



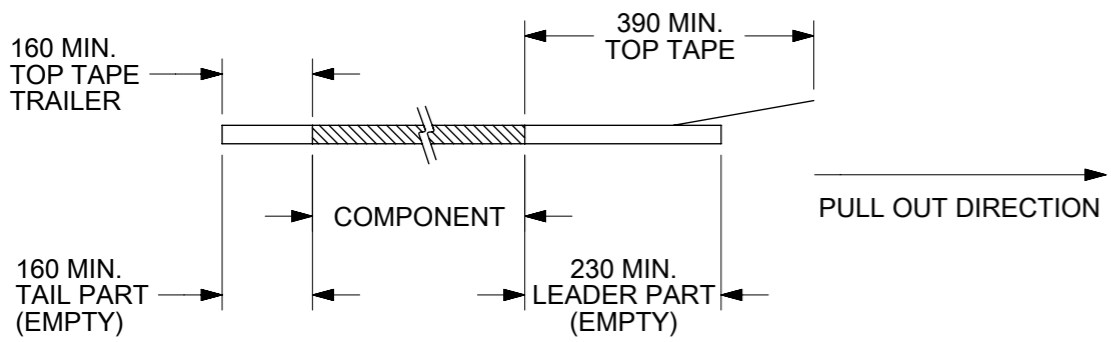
THIS DRAWING CONTAINS INFORMATION THAT IS PROPRIETARY TO MOLEX ELECTRONIC TECHNOLOGIES, LLC AND SHOULD NOT BE USED WITHOUT WRITTEN PERMISSION		CURRENT REV DESC:		molex	
DIMENSION UNITS: mm		SCALE: NTS			
GENERAL TOLERANCES (UNLESS SPECIFIED)				CUSTOM HEADER 2.54MM PITCH DUAL ROW HEADER SINGLE WAFER SMT	
				PRODUCT CUSTOMER DRAWING	
4 PLACES ±				DOCUMENT NUMBER	
3 PLACES ±				SD-87920-020	
2 PLACES ± 0.2				DOC TYPE	
1 PLACE ±				PSD	
0 PLACES ±				DOC PART	
ANGULAR TOL ± 3.0°				REVISION	
DRAFT WHERE APPLICABLE MUST REMAIN WITHIN DIMENSIONS				D11	
THIRD ANGLE PROJECTION		DRAWING		SHEET NUMBER	
A3-SIZE		SERIES		6 OF 11	
87920		MATERIAL NUMBER		GENERAL MARKET	
SEE TABLE		CUSTOMER			

CKT	F	P1	So	W
40	34.20	16.00	68.50	72.00

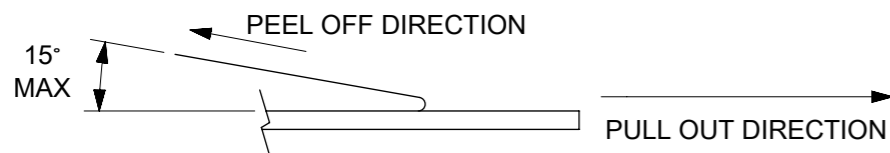
THIS TYPE OF CARRIER TAPE IS FOR CKT SIZE 40



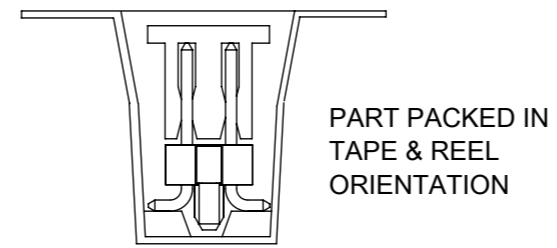
NOTES:
1. LEADER AND TRAILER TAPE



2. PEELING OFF FORCE OF THE TOP TAPE: 20-80gf.
(PEELING DIRECTION AS SHOWN IN FOLLOWING FIGURE)



- 3. PACKAGING STANDARD IS AS PER EIA-481.
- 4. TAPE & REEL QUANTITY = 250PCS/REEL
- 5. THE TAPE IS TREATED FOR ANTI-STATIC.


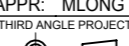


THIS DRAWING CONTAINS INFORMATION THAT IS PROPRIETARY TO MOLEX ELECTRONIC TECHNOLOGIES, LLC AND SHOULD NOT BE USED WITHOUT WRITTEN PERMISSION		CURRENT REV DESC:		molex	
DIMENSION UNITS	SCALE	EC NO: 694093			
mm	NTS	DRWN: DANUSA 2022/01/21		CUSTOM HEADER	
GENERAL TOLERANCES (UNLESS SPECIFIED)		CHK'D: DANUSA 2022/02/01		2.54MM PITCH DUAL ROW HEADER SINGLE WAFER SMT	
		MM	INCH	PRODUCT CUSTOMER DRAWING	
4 PLACES	±			DOCUMENT NUMBER	
3 PLACES	±			DOC TYPE	
2 PLACES	± 0.2			DOC PART	
1 PLACE	±			REVISION	
0 PLACES	±			SD-87920-020	
ANGULAR TOL ± 3.0°		DRWN: SKLIM01 2010/02/08		PSD	001
DRAFT WHERE APPLICABLE MUST REMAIN WITHIN DIMENSIONS		THIRD ANGLE PROJECTION	DRAWING	SERIES	SHEET NUMBER
			A3-SIZE	87920	7 OF 11
		MATERIAL NUMBER	CUSTOMER		
		SEE TABLE	GENERAL MARKET		

DOCUMENT STATUS	P1	RELEASE DATE	2022/02/03 03:19:19
-----------------	----	--------------	---------------------

PART NUMBER IN PACKAGING OPTION				CKT SIZE	PEG	PLATE OPT.	VOID CKT	DIMENSION					
TAPE & REEL WITH CAP	TUBE WITHOUT CAP	TRAY WITHOUT CAP	TUBE WITH CAP					A	B	C	F	G	M
87920-9111	-----	87920-9044	-----	4	N	1	---	5.08	2.54	-----	9.66	10.66	6.10
87920-9211	-----	87920-9045	-----	4	N	2	---	5.08	2.54	-----	9.66	10.66	6.10
87920-9311	-----	87920-9046	-----	4	N	3	---	5.08	2.54	-----	9.66	10.66	6.10
87920-9320	-----	87920-9048	-----	4	N	3	---	5.08	2.54	-----	9.66	10.66	6.10
87920-9112	-----	87920-9064	-----	6	N	1	---	7.62	5.08	-----	9.66	10.66	6.10
87920-9212	-----	87920-9065	-----	6	N	2	---	7.62	5.08	-----	9.66	10.66	6.10
87920-9312	-----	87920-9066	-----	6	N	3	---	7.62	5.08	-----	9.66	10.66	6.10
87920-9333	-----	87920-9067	-----	6	N	3	---	7.62	5.08	-----	9.66	10.66	6.10
87920-9113	87920-9084	-----	87920-9087	8	N	1	---	10.16	7.62	-----	9.66	10.66	6.10
87920-9213	87920-9085	-----	87920-9088	8	N	2	---	10.16	7.62	-----	9.66	10.66	6.10
87920-9313	87920-9086	-----	87920-9089	8	N	3	---	10.16	7.62	-----	9.66	10.66	6.10
87920-9334	87920-9090	-----	87920-9091	8	N	3	---	10.16	7.62	-----	9.66	10.66	6.10
87920-9114	87920-9104	-----	87920-9107	10	N	1	---	12.70	10.16	-----	9.66	10.66	6.10
87920-9214	87920-9105	-----	87920-9108	10	N	2	---	12.70	10.16	-----	9.66	10.66	6.10
87920-9314	87920-9106	-----	87920-9109	10	N	3	---	12.70	10.16	-----	9.66	10.66	6.10
87920-9335	87920-9121	-----	87920-9110	10	N	3	---	12.70	10.16	-----	9.66	10.66	6.10
87920-1007	-----	-----	-----	10	N	1	10	12.70	10.16	-----	9.66	10.66	6.10


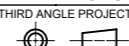
PART NUMBER IN PACKAGING OPTION				CKT SIZE	PEG	PLATE OPT.	DIMENSION						
TAPE & REEL WITH CAP	TUBE WITHOUT CAP	TUBE WITH CAP	A				B	C	F	G	M		
-----	-----	-----	-----	---	---	---	---	---	---	---	---	---	---
-----	-----	-----	-----	---	---	---	---	---	---	---	---	---	---
-----	87920-9047	-----	-----	4	Y	3	---	5.08	2.54	---	9.66	10.66	6.10
-----	87920-9049	-----	-----	4	Y	3	---	5.08	2.54	---	9.66	10.66	6.10
87920-8113	87920-8084	87920-8087	-----	8	Y	1	---	10.16	7.62	5.08	9.66	10.66	6.10
87920-8213	87920-8085	87920-8088	-----	8	Y	2	---	10.16	7.62	5.08	9.66	10.66	6.10
87920-8313	87920-8086	87920-8089	-----	8	Y	3	---	10.16	7.62	5.08	9.66	10.66	6.10
87920-8114	87920-8104	87920-8107	-----	10	Y	1	---	12.70	10.16	7.62	9.66	10.66	6.10
87920-8214	87920-8105	87920-8108	-----	10	Y	2	---	12.70	10.16	7.62	9.66	10.66	6.10
87920-8314	87920-8106	87920-8109	-----	10	Y	3	---	12.70	10.16	7.62	9.66	10.66	6.10
87920-8319	87920-8111	87920-8110	-----	10	Y	3	---	12.70	10.16	7.62	9.66	10.66	6.10

THIS DRAWING CONTAINS INFORMATION THAT IS PROPRIETARY TO MOLEX ELECTRONIC TECHNOLOGIES, LLC AND SHOULD NOT BE USED WITHOUT WRITTEN PERMISSION															
DIMENSION UNITS		SCALE		CURRENT REV DESC:				 CUSTOMER HEADER 2.54MM PITCH DUAL ROW HEADER SINGLE WAFER SMT							
mm		NTS													
GENERAL TOLERANCES (UNLESS SPECIFIED)				EC NO: 694093 DRWN: DANUSA 2022/01/21 CHK'D: DANUSA 2022/02/01 APPR: MRAMAKRISHNA 2022/02/03 INITIAL REVISION: DRWN: SKLIM01 2006/02/09 APPR: MLONG 2010/02/08				PRODUCT CUSTOMER DRAWING							
								DOCUMENT NUMBER		DOC TYPE		DOC PART		REVISION	
4 PLACES ±		±						SD-87920-020		PSD		001		D11	
3 PLACES ±		±						SEE TABLE		GENERAL MARKET				8 OF 11	
2 PLACES ±		0.2 ±													
1 PLACE ±		±													
0 PLACES ±		±													
ANGULAR TOL ± 3.0°				THIRD ANGLE PROJECTION		DRAWING		SERIES		MATERIAL NUMBER					
DRAFT WHERE APPLICABLE MUST REMAIN WITHIN DIMENSIONS						A3-SIZE		87920							

F
E
D
C
B
A

PART NUMBER IN PACKAGING OPTION				CKT SIZE	PEG	PLATE OPT.	DIMENSION					
TAPE & REEL W/O CAP	TAPE & REEL WITH CAP	TUBE WITHOUT CAP	TUBE WITH CAP				A	B	C	F	G	M
87920-9120	87920-9119	87920-9124	87920-9127	12	N	1	15.24	12.70	---	9.66	10.66	6.10
-----	-----	87920-9125	87920-9128	12	N	2	15.24	12.70	---	9.66	10.66	6.10
-----	-----	87920-9126	87920-9129	12	N	3	15.24	12.70	---	9.66	10.66	6.10
-----	-----	87920-9126	87920-9131	12	N	3	15.24	12.70	---	9.66	10.66	6.10
-----	87920-9115	87920-9144	87920-9147	14	N	1	17.78	15.24	---	9.66	10.66	6.10
-----	87920-9215	87920-9145	87920-9148	14	N	2	17.78	15.24	---	9.66	10.66	6.10
-----	87920-9315	87920-9146	87920-0014	14	N	3	17.78	15.24	---	9.66	10.66	6.10
-----	87920-9321	87920-9150	87920-0015	14	N	3	17.78	15.24	---	9.66	10.66	6.10
-----	87920-9116	87920-9164	87920-9167	16	N	1	20.32	17.78	---	9.66	10.66	6.10
-----	87920-9216	87920-9165	87920-9168	16	N	2	20.32	17.78	---	9.66	10.66	6.10
-----	87920-9316	87920-9166	87920-9169	16	N	3	20.32	17.78	---	9.66	10.66	6.10
-----	87920-9322	87920-9170	87920-9171	16	N	3	20.32	17.78	---	9.66	10.66	6.10
-----	-----	87920-9184	87920-9187	18	N	1	22.86	20.32	---	9.66	10.66	6.10
-----	-----	87920-9185	87920-9188	18	N	2	22.86	20.32	---	9.66	10.66	6.10
-----	-----	87920-9186	87920-9189	18	N	3	22.86	20.32	---	9.66	10.66	6.10
-----	-----	87920-9190	87920-9191	18	N	3	22.86	20.32	---	9.66	10.66	6.10
-----	87920-9117	87920-9204	87920-9207	20	N	1	25.40	22.86	---	9.66	10.66	6.10
-----	87920-9217	87920-9205	87920-9208	20	N	2	25.40	22.86	---	9.66	10.66	6.10
-----	87920-9317	87920-9206	87920-9209	20	N	3	25.40	22.86	---	9.66	10.66	6.10
-----	87920-9323	87920-9210	87920-9219	20	N	3	25.40	22.86	---	9.66	10.66	6.10



PART NUMBER IN PACKAGING OPTION				CKT SIZE	PEG	PLATE OPT.	DIMENSION					
TAPE & REEL WITH CAP	TUBE WITHOUT CAP	TUBE WITH CAP	A				B	C	F	G	M	
-----	87920-8124	87920-8127	12	Y	1	15.24	12.70	10.16	9.66	10.66	6.10	
-----	87920-8125	87920-8128	12	Y	2	15.24	12.70	10.16	9.66	10.66	6.10	
-----	87920-8126	87920-8129	12	Y	3	15.24	12.70	10.16	9.66	10.66	6.10	
87920-8115	87920-8144	87920-8147	14	Y	1	17.78	15.24	12.70	9.66	10.66	6.10	
87920-8215	87920-8145	87920-8148	14	Y	2	17.78	15.24	12.70	9.66	10.66	6.10	
87920-8315	87920-8146	87920-8149	14	Y	3	17.78	15.24	12.70	9.66	10.66	6.10	
87920-8116	87920-8164	87920-8167	16	Y	1	20.32	17.78	15.24	9.66	10.66	6.10	
87920-8216	87920-8165	87920-8168	16	Y	2	20.32	17.78	15.24	9.66	10.66	6.10	
87920-8316	87920-8166	87920-8169	16	Y	3	20.32	17.78	15.24	9.66	10.66	6.10	
-----	87920-8184	87920-8187	18	Y	1	22.86	20.32	17.78	9.66	10.66	6.10	
-----	87920-8185	87920-8188	18	Y	2	22.86	20.32	17.78	9.66	10.66	6.10	
-----	87920-8186	87920-8189	18	Y	3	22.86	20.32	17.78	9.66	10.66	6.10	
87920-8117	87920-8204	87920-8207	20	Y	1	25.40	22.86	20.32	9.66	10.66	6.10	
87920-8217	87920-8205	87920-8208	20	Y	2	25.40	22.86	20.32	9.66	10.66	6.10	
87920-8317	87920-8206	87920-8209	20	Y	3	25.40	22.86	20.32	9.66	10.66	6.10	
87920-8320	87920-8210	87920-8211	20	Y	3	25.40	22.86	20.32	9.66	10.66	6.10	

THIS DRAWING CONTAINS INFORMATION THAT IS PROPRIETARY TO MOLEX ELECTRONIC TECHNOLOGIES, LLC AND SHOULD NOT BE USED WITHOUT WRITTEN PERMISSION											
DIMENSION UNITS		SCALE		CURRENT REV DESC:							
mm		NTS									
GENERAL TOLERANCES (UNLESS SPECIFIED)				MM		INCH		EC NO: 694093		CUSTOM HEADER	
4 PLACES ±				±		±		DRWN: DANUSA		2.54MM PITCH DUAL ROW HEADER SINGLE WAFER SMT	
3 PLACES ±				±		±		CHK'D: DANUSA		PRODUCT CUSTOMER DRAWING	
2 PLACES ± 0.2				±		±		APPR: MRAMAKRISHNA		DOCUMENT NUMBER	
1 PLACE ±				±		±		INITIAL REVISION:		SD-87920-020	
0 PLACES ±				±		±		DRWN: SKLIM01		DOC TYPE	
ANGULAR TOL ± 3.0°				± 3.0°		± 3.0°		APPR: MLONG		DOC PART	
DRAFT WHERE APPLICABLE MUST REMAIN WITHIN DIMENSIONS				THIRD ANGLE PROJECTION		DRAWING		SERIES		REVISION	
						A3-SIZE		87920		D11	
				MATERIAL NUMBER		CUSTOMER		SHEET NUMBER			
				SEE TABLE		GENERAL MARKET		9 OF 11			

F
E
D
C
B
A



PART NUMBER IN PACKAGING OPTION			CKT SIZE	PEG	PLATE OPT.	DIMENSION					
TAPE & REEL WITH CAP	TUBE WITHOUT CAP	TUBE WITH CAP				A	B	C	F	G	M
-----	87920-9224	87920-9227	22	N	1	27.94	25.40	----	9.66	10.66	6.10
-----	87920-9225	87920-9228	22	N	2	27.94	25.40	----	9.66	10.66	6.10
-----	87920-9226	87920-9229	22	N	3	27.94	25.40	----	9.66	10.66	6.10
-----	87920-9230	87920-9231	22	N	3	27.94	25.40	----	9.66	10.66	6.10
-----	87920-9244	87920-9247	24	N	1	30.48	27.94	----	9.66	10.66	6.10
-----	87920-9245	87920-9248	24	N	2	30.48	27.94	----	9.66	10.66	6.10
-----	87920-9246	87920-9249	24	N	3	30.48	27.94	----	9.66	10.66	6.10
-----	87920-9250	87920-9251	24	N	3	30.48	27.94	----	9.66	10.66	6.10
-----	87920-9264	87920-9267	26	N	1	33.02	30.48	----	9.66	10.66	6.10
-----	87920-9265	87920-9268	26	N	2	33.02	30.48	----	9.66	10.66	6.10
-----	87920-9266	87920-9269	26	N	3	33.02	30.48	----	9.66	10.66	6.10
-----	87920-9270	87920-9271	26	N	3	33.02	30.48	----	9.66	10.66	6.10
-----	87920-9284	87920-9287	28	N	1	35.56	33.02	----	9.66	10.66	6.10
-----	87920-9285	87920-9288	28	N	2	35.56	33.02	----	9.66	10.66	6.10
-----	87920-9286	87920-9289	28	N	3	35.56	33.02	----	9.66	10.66	6.10
-----	87920-9290	87920-9291	28	N	3	35.56	33.02	----	9.66	10.66	6.10
-----	87920-9304	87920-9307	30	N	1	38.10	35.56	----	9.66	10.66	6.10
-----	87920-9305	87920-9308	30	N	2	38.10	35.56	----	9.66	10.66	6.10
-----	87920-9306	87920-9309	30	N	3	38.10	35.56	----	9.66	10.66	6.10
-----	87920-9310	87920-9319	30	N	3	38.10	35.56	----	9.66	10.66	6.10

PART NUMBER IN PACKAGING OPTION			CKT SIZE	PEG	PLATE OPT.	DIMENSION					
TAPE & REEL WITH CAP	TUBE WITHOUT CAP	TUBE WITH CAP				A	B	C	F	G	M
-----	87920-8224	87920-8227	22	Y	1	27.94	25.40	22.86	9.66	10.66	6.10
-----	87920-8225	87920-8228	22	Y	2	27.94	25.40	22.86	9.66	10.66	6.10
-----	87920-8226	87920-8229	22	Y	3	27.94	25.40	22.86	9.66	10.66	6.10
-----	87920-8230	87920-8231	22	Y	3	27.94	25.40	22.86	9.66	10.66	6.10
-----	87920-8244	87920-8247	24	Y	1	30.48	27.94	25.40	9.66	10.66	6.10
-----	87920-8245	87920-8248	24	Y	2	30.48	27.94	25.40	9.66	10.66	6.10
-----	87920-8246	87920-8249	24	Y	3	30.48	27.94	25.40	9.66	10.66	6.10
-----	87920-8264	87920-8267	26	Y	1	33.02	30.48	27.94	9.66	10.66	6.10
-----	87920-8265	87920-8268	26	Y	2	33.02	30.48	27.94	9.66	10.66	6.10
-----	87920-8266	87920-8269	26	Y	3	33.02	30.48	27.94	9.66	10.66	6.10
-----	87920-8284	87920-8287	28	Y	1	35.56	33.02	30.48	9.66	10.66	6.10
-----	87920-8285	87920-8288	28	Y	2	35.56	33.02	30.48	9.66	10.66	6.10
-----	87920-8286	87920-8289	28	Y	3	35.56	33.02	30.48	9.66	10.66	6.10
-----	87920-8304	87920-8307	30	Y	1	38.10	35.56	33.02	9.66	10.66	6.10
-----	87920-8305	87920-8308	30	Y	2	38.10	35.56	33.02	9.66	10.66	6.10
-----	87920-8306	87920-8309	30	Y	3	38.10	35.56	33.02	9.66	10.66	6.10

THIS DRAWING CONTAINS INFORMATION THAT IS PROPRIETARY TO MOLEX ELECTRONIC TECHNOLOGIES, LLC AND SHOULD NOT BE USED WITHOUT WRITTEN PERMISSION													
DIMENSION UNITS		SCALE		CURRENT REV DESC:									
mm		NTS											
GENERAL TOLERANCES (UNLESS SPECIFIED)				EC NO: 694093		DRWN: DANUSA		2022/01/21		CUSTOM HEADER 2.54MM PITCH DUAL ROW HEADER SINGLE WAFER SMT			
				CHK'D: DANUSA		2022/02/01							
				APPR: MRAMAKRISHNA		2022/02/03		PRODUCT CUSTOMER DRAWING					
				INITIAL REVISION:				DOCUMENT NUMBER		DOC TYPE	DOC PART	REVISION	
				DRWN: SKLIM01		2006/02/09		SD-87920-020		PSD	001	D11	
				APPR: MLONG		2010/02/08							
DRAFT WHERE APPLICABLE MUST REMAIN WITHIN DIMENSIONS				THIRD ANGLE PROJECTION		DRAWING		SERIES		MATERIAL NUMBER		CUSTOMER	SHEET NUMBER
						A3-SIZE		87920		SEE TABLE		GENERAL MARKET	10 OF 11

PART NUMBER IN PACKAGING OPTION			CKT SIZE	PEG	PLATE OPT.	DIMENSION					
TAPE & REEL WITH CAP	TUBE WITHOUT CAP	TUBE WITH CAP				A	B	C	F	G	M
-----	87920-9324	87920-9327	32	N	1	40.64	38.10	----	9.66	10.66	6.10
-----	87920-9325	87920-9328	32	N	2	40.64	38.10	----	9.66	10.66	6.10
-----	87920-9326	87920-9329	32	N	3	40.64	38.10	----	9.66	10.66	6.10
-----	87920-9330	87920-9331	32	N	3	40.64	38.10	----	9.66	10.66	6.10
-----	87920-9344	87920-9347	34	N	1	43.18	40.64	----	9.66	10.66	6.10
-----	87920-9345	87920-9348	34	N	2	43.18	40.64	----	9.66	10.66	6.10
-----	87920-9346	87920-9349	34	N	3	43.18	40.64	----	9.66	10.66	6.10
-----	87920-9350	87920-9351	34	N	3	43.18	40.64	----	9.66	10.66	6.10
-----	87920-9364	87920-9367	36	N	1	45.72	43.18	----	9.66	10.66	6.10
-----	87920-9365	87920-9368	36	N	2	45.72	43.18	----	9.66	10.66	6.10
-----	87920-9366	87920-9369	36	N	3	45.72	43.18	----	9.66	10.66	6.10
-----	87920-9370	87920-9371	36	N	3	45.72	43.18	----	9.66	10.66	6.10
-----	87920-9384	87920-9387	38	N	1	48.26	45.72	----	9.66	10.66	6.10
-----	87920-9385	87920-9388	38	N	2	48.26	45.72	----	9.66	10.66	6.10
-----	87920-9386	87920-9389	38	N	3	48.26	45.72	----	9.66	10.66	6.10
-----	87920-9390	87920-9391	38	N	3	48.26	45.72	----	9.66	10.66	6.10
87920-9118	87920-9404	87920-9407	40	N	1	50.80	48.26	----	9.66	10.66	6.10
87920-9218	87920-9405	87920-9408	40	N	2	50.80	48.26	----	9.66	10.66	6.10
87920-9318	87920-9406	87920-9409	40	N	3	50.80	48.26	----	9.66	10.66	6.10
87920-9332	87920-9410	87920-9411	40	N	3	50.80	48.26	----	9.66	10.66	6.10

PART NUMBER IN PACKAGING OPTION			CKT SIZE	PEG	PLATE OPT.	DIMENSION					
TAPE & REEL WITH CAP	TUBE WITHOUT CAP	TUBE WITH CAP				A	B	C	F	G	M
-----	87920-8324	87920-8327	32	Y	1	40.64	38.10	35.56	9.66	10.66	6.10
-----	87920-8325	87920-8328	32	Y	2	40.64	38.10	35.56	9.66	10.66	6.10
-----	87920-8326	87920-8329	32	Y	3	40.64	38.10	35.56	9.66	10.66	6.10
-----	87920-8344	87920-8347	34	Y	1	43.18	40.64	38.10	9.66	10.66	6.10
-----	87920-8345	87920-8348	34	Y	2	43.18	40.64	38.10	9.66	10.66	6.10
-----	87920-8346	87920-8349	34	Y	3	43.18	40.64	38.10	9.66	10.66	6.10
-----	87920-8364	87920-8367	36	Y	1	45.72	43.18	40.64	9.66	10.66	6.10
-----	87920-8365	87920-8368	36	Y	2	45.72	43.18	40.64	9.66	10.66	6.10
-----	87920-8366	87920-8369	36	Y	3	45.72	43.18	40.64	9.66	10.66	6.10
-----	87920-8384	87920-8387	38	Y	1	48.26	45.72	43.18	9.66	10.66	6.10
-----	87920-8385	87920-8388	38	Y	2	48.26	45.72	43.18	9.66	10.66	6.10
-----	87920-8386	87920-8389	38	Y	3	48.26	45.72	43.18	9.66	10.66	6.10
87920-8118	87920-8404	87920-8407	40	Y	1	50.80	48.26	45.72	9.66	10.66	6.10
87920-8218	87920-8405	87920-8408	40	Y	2	50.80	48.26	45.72	9.66	10.66	6.10
87920-8318	87920-8406	87920-8409	40	Y	3	50.80	48.26	45.72	9.66	10.66	6.10

THIS DRAWING CONTAINS INFORMATION THAT IS PROPRIETARY TO MOLEX ELECTRONIC TECHNOLOGIES, LLC AND SHOULD NOT BE USED WITHOUT WRITTEN PERMISSION													
DIMENSION UNITS		SCALE		CURRENT REV DESC:									
mm		NTS											
GENERAL TOLERANCES (UNLESS SPECIFIED)				EC NO: 694093		DRWN: DANUSA		2022/01/21		CUSTOM HEADER 2.54MM PITCH DUAL ROW HEADER SINGLE WAFER SMT			
				CHK'D: DANUSA		2022/02/01							
				APPR: MRAMAKRISHNA		2022/02/03		PRODUCT CUSTOMER DRAWING					
				INITIAL REVISION:				DOCUMENT NUMBER		DOC TYPE		DOC PART	
				DRWN: SKLIM01		2006/02/09		SD-87920-020		PSD		001	
				APPR: MLONG		2010/02/08						D11	
DRAFT WHERE APPLICABLE MUST REMAIN WITHIN DIMENSIONS				THIRD ANGLE PROJECTION		DRAWING		SERIES		MATERIAL NUMBER		CUSTOMER	
						A3-SIZE		87920		SEE TABLE		GENERAL MARKET	
												SHEET NUMBER	
												11 OF 11	