

## CTLVC6020F Series

From 0.5 $\mu$ H to 22 $\mu$ H



### SPECIFICATIONS

Please specify inductance tolerance code when ordering.

CTLVC6020F-1R5\_ ← M =  $\pm 20\%$ , N =  $\pm 30\%$

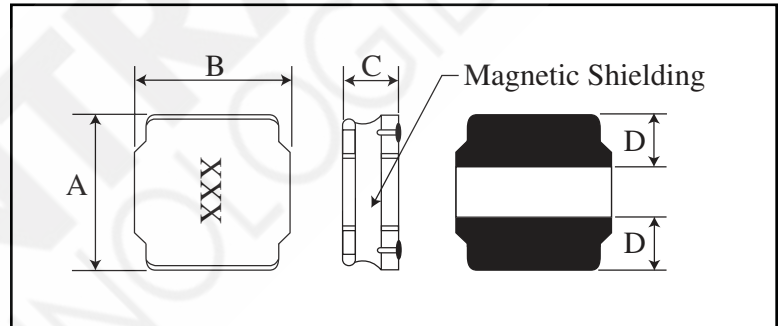
\*Isat: DC current (A) that will cause L to drop approximately 30%.

\*\*Irms: DC current (A) that will cause an approximate  $\Delta T$  of 40°C.

Part Number	Inductance ( $\mu$ H)	L Test Freq. (kHz)	DCR $\pm 30\%$ (m $\Omega$ )	*Isat Typ.(Max.) (A)	**Irms Typ.(Max.) (A)
CTLVC6020F-R50N	0.5	100	13	8.0(7.20)	5.3(4.77)
CTLVC6020F-R90N	0.9	100	18	6.3(5.67)	4.2(3.78)
CTLVC6020F-1R0N	1.0	100	19	6.2(5.58)	4.1(3.69)
CTLVC6020F-1R5_	1.5	100	26	5.0(4.50)	3.6(3.24)
CTLVC6020F-2R2_	2.2	100	34	4.2(3.78)	3.2(2.88)
CTLVC6020F-3R3_	3.3	100	40	3.2(2.88)	2.7(2.43)
CTLVC6020F-4R7_	4.7	100	58	2.5(2.25)	2.2(1.98)
CTLVC6020F-6R8_	6.8	100	85	2.2(1.98)	1.8(1.62)
CTLVC6020F-100_	10	100	125	2.0(1.80)	1.6(1.44)
CTLVC6020F-150_	15	100	190	1.3(1.17)	1.3(1.17)
CTLVC6020F-220_	22	100	260	1.1(0.99)	1.1(0.99)

### PHYSICAL DIMENSIONS

Size	A	B	C	D
mm	6.0 $\pm$ 0.2	6.0 $\pm$ 0.2	2.0 $\pm$ 0.2, -0.3	1.7 $\pm$ 0.3
inches	0.236 $\pm$ 0.008	0.236 $\pm$ 0.008	0.079 $\pm$ 0.008, -0.012	0.067 $\pm$ 0.012



### CHARACTERISTICS

**Description:** SMD power inductors sealed with magnetic resin.

**Applications:** Smart phones, DSC, Tablet PC's, DC/DC converters, etc.

**Operating Temperature:** -55°C to 125°C (including self - temperature rise)

**Inductance Tolerance:**  $\pm 20\%$ ,  $\pm 30\%$

**Testing:** Inductance is tested on an HP4284A at 100kHz, 1V

**Packaging:** Tape & Reel.

**Marking:** Parts are marked with inductance code.

**Miscellaneous:** **RoHS Compliant.**

**Additional Information:** Additional electrical & physical information available upon request.

**Samples available. See website for ordering information.**

### PAD LAYOUT

Unit: mm

