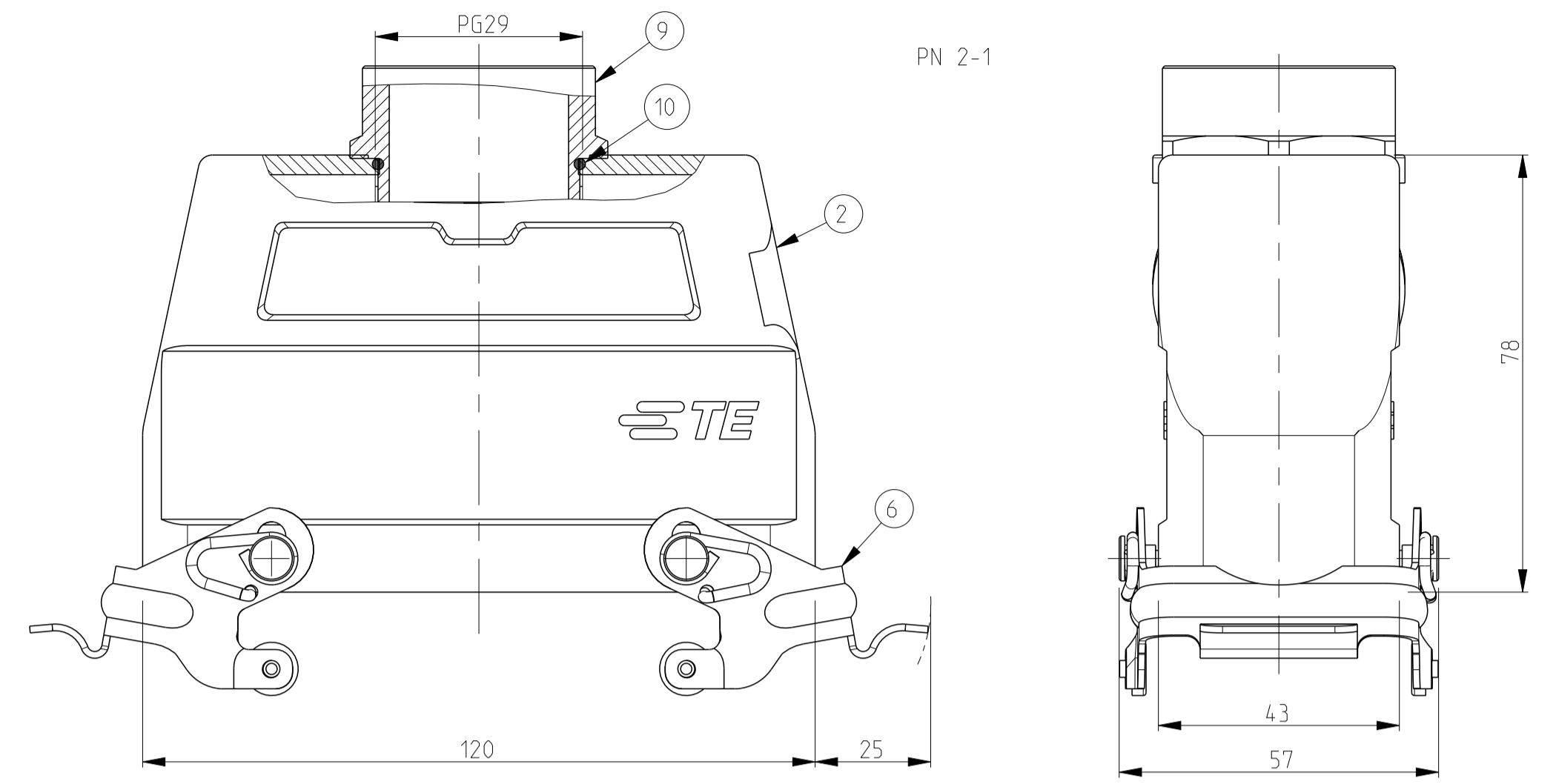
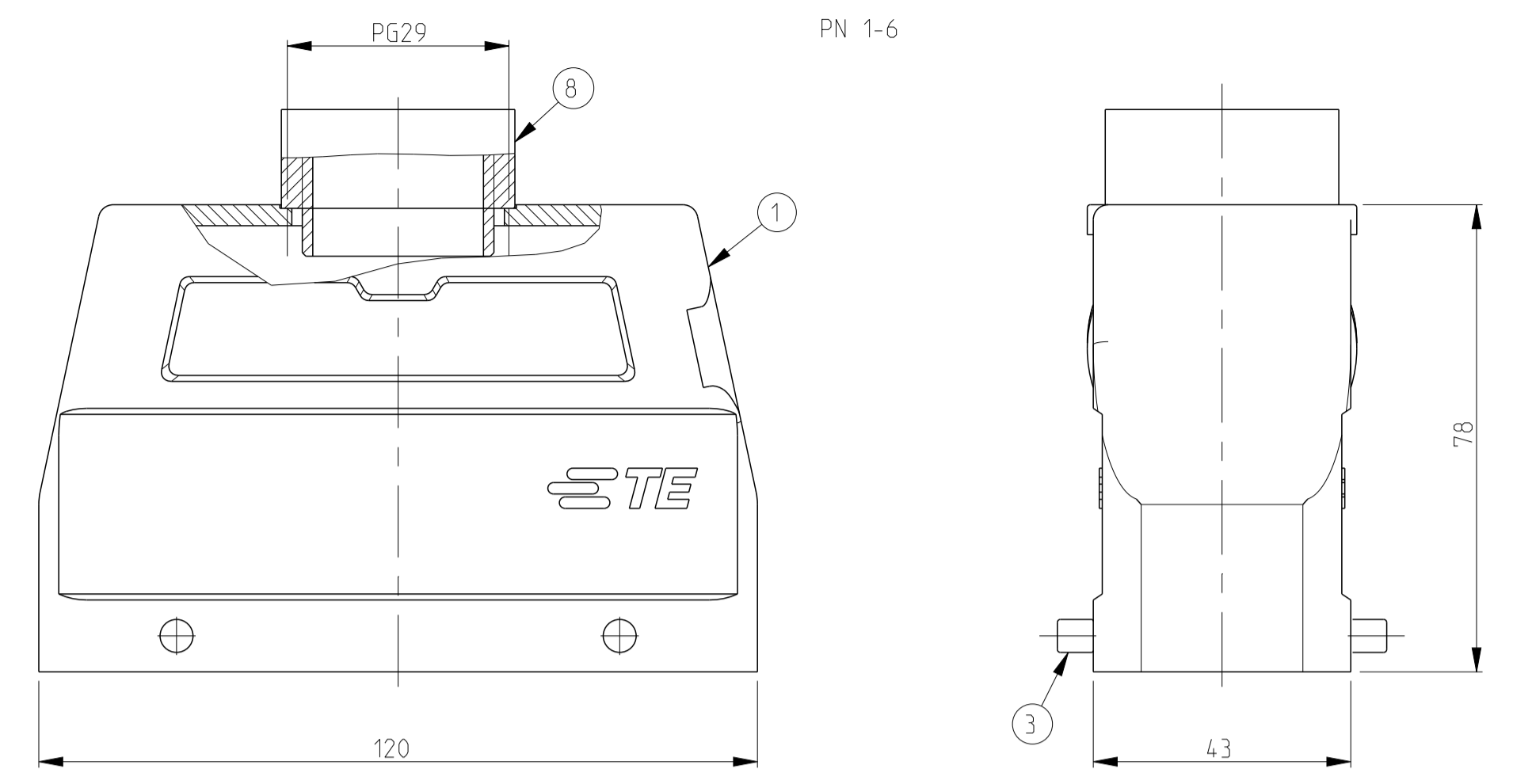
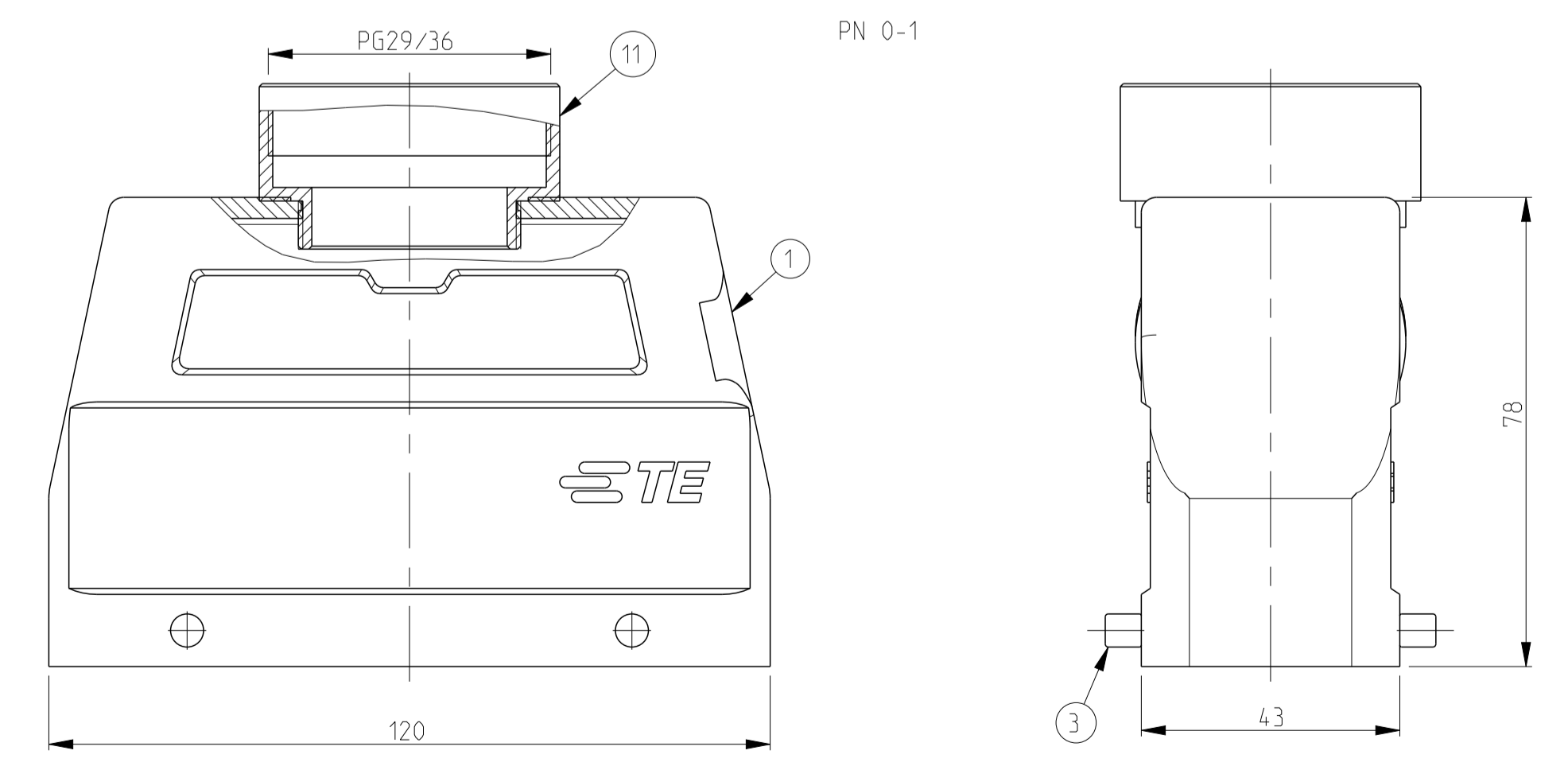
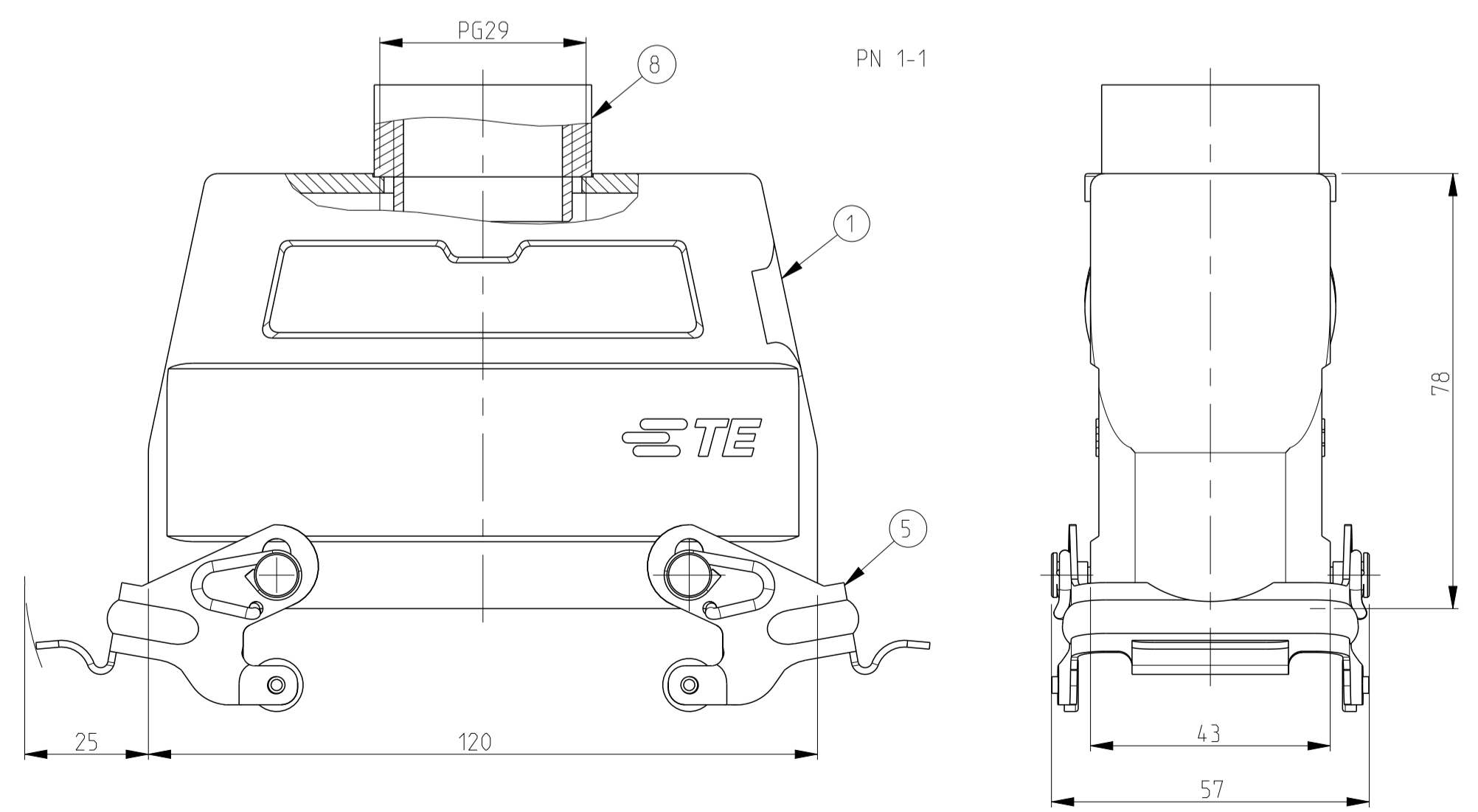
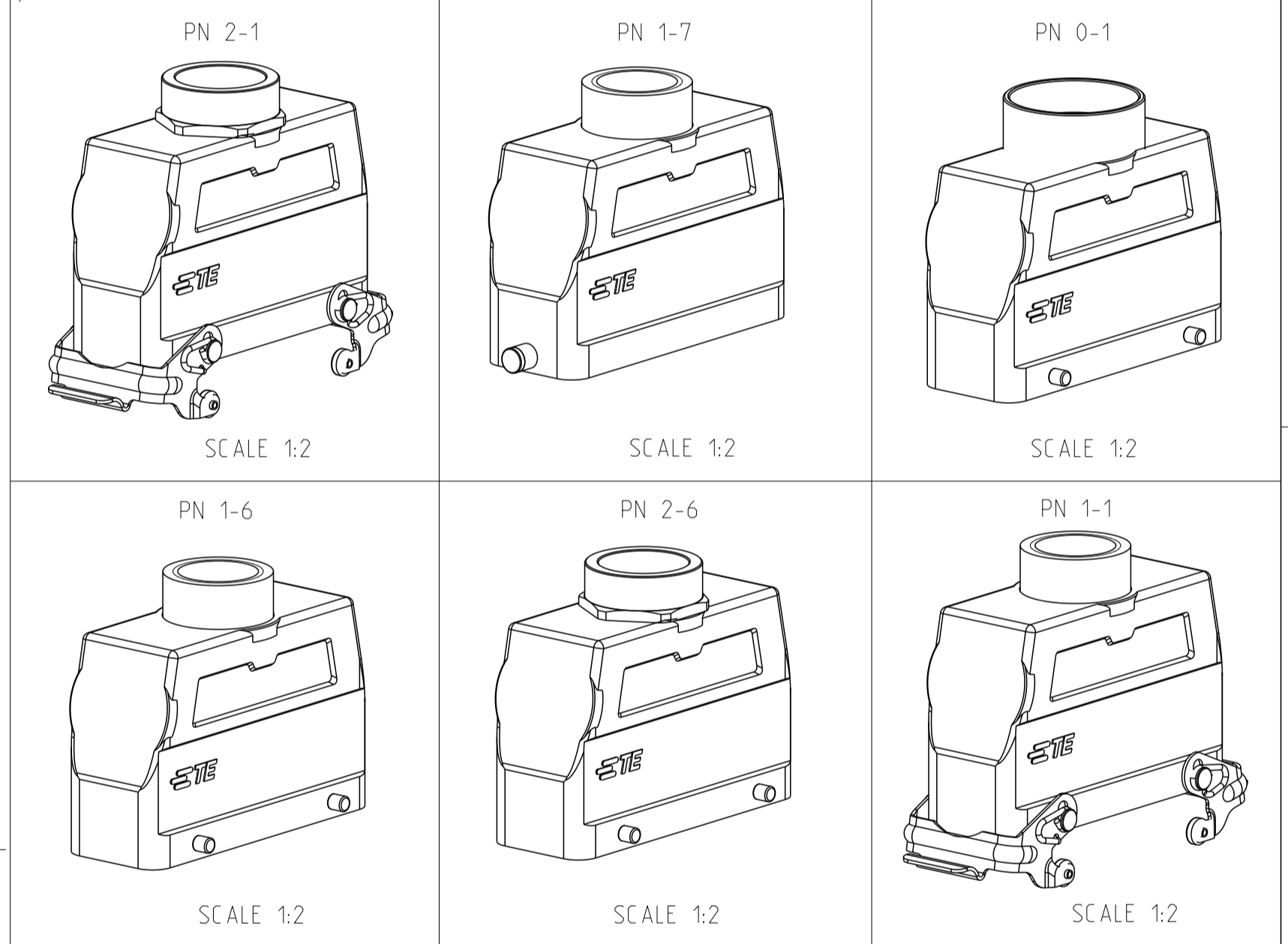
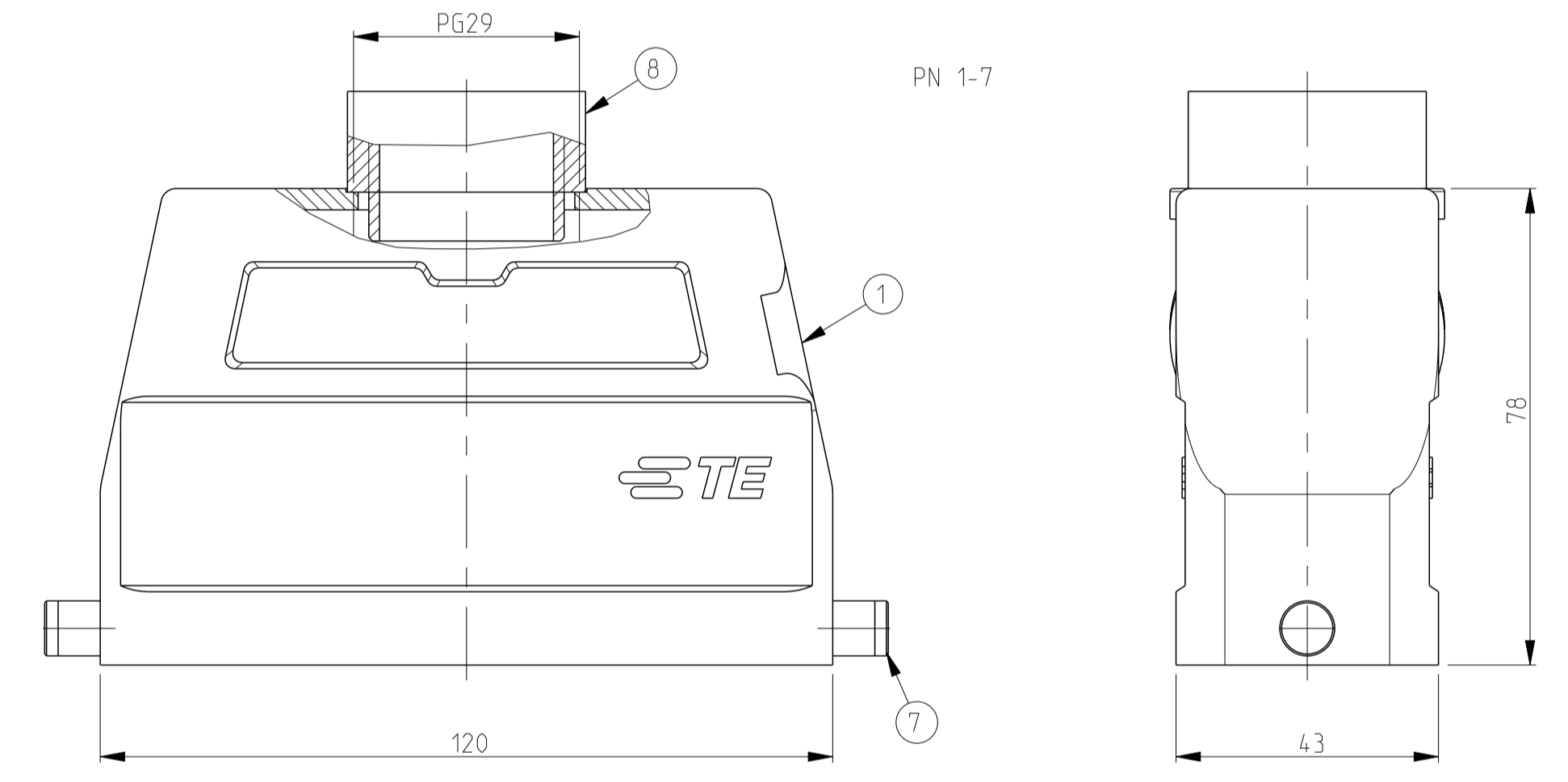
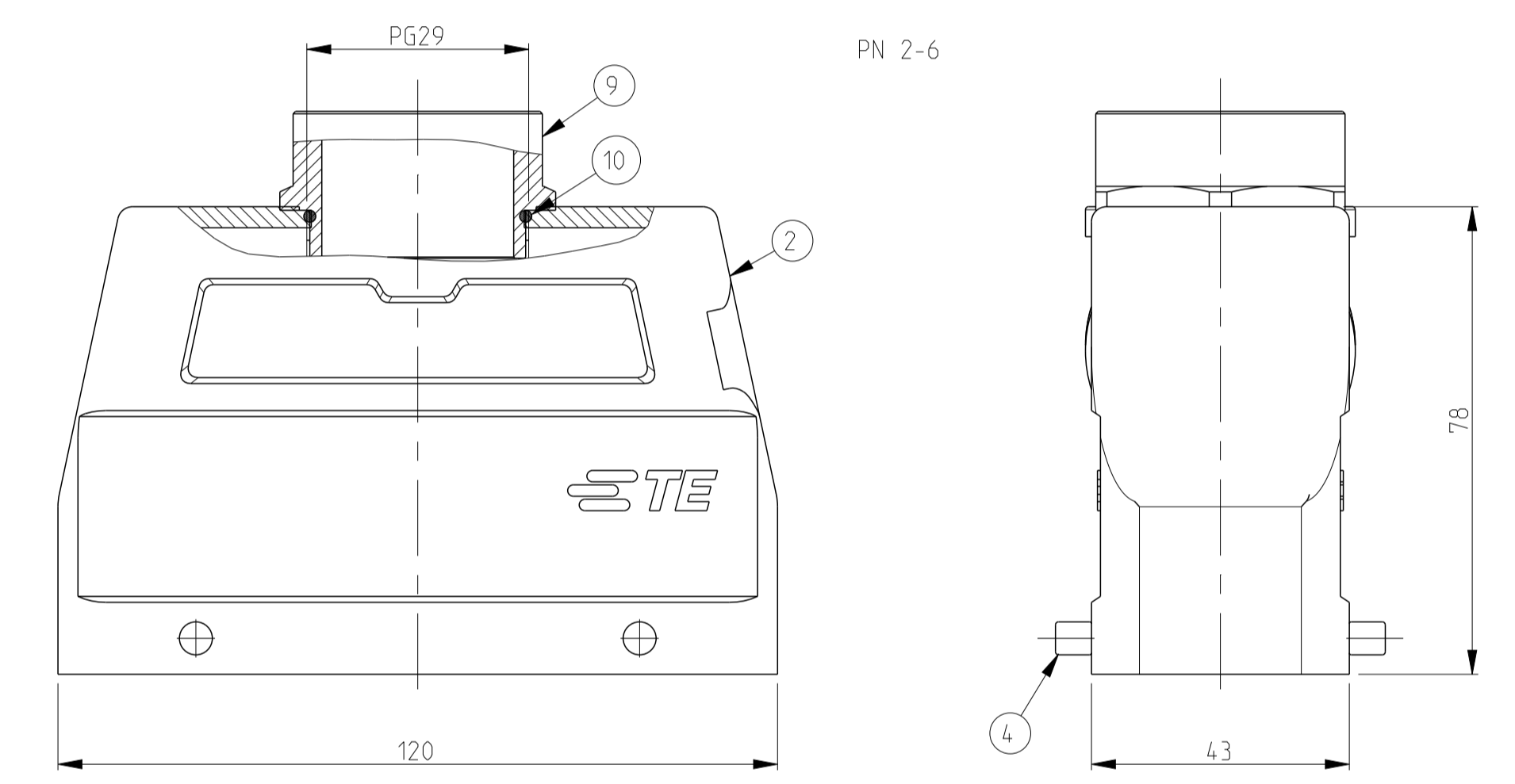


REVISIONS				
P	LTM	DESCRIPTION	DATE	DMN APVD
A6		ECR-17-014.011	27MAR2018	SG MKO



- NOTES.
- 1 Material:Housing:Aluminium Diecasting Alloy
 - 2 Surface:Varnish grey
 - 3 Varnish on the inside not necessary
 - 4 Packaging Quantity 5 Pieces in a box



QTY	DESCRIPTION	MATERIAL	SURFACE	COLOR	TEM NO	REMARKS
1	Extension Pg29/36	Brass	Nickel plated	-	11	
1	O ring	Neoprene	-	Black	10	
1	6-Kf-adaptor round	Brass	Nickel plated	-	9	
1	Cable connection round	Brass	Nickel plated	-	8	
2	LB-Side bolt	Steel	Zinc plated	Blue	7	
2	VS-Locking clip	Stainless steel	-	-	6	
2	VS-Locking clip	Steel	Zinc plated	Blue	5	
4	VS-Clip bolt	Stainless steel	-	-	4	
4	VS-Clip bolt	Steel	Zinc plated	Blue	3	
1	Hood HD.64.Pg.1.29	Aluminium	Aluminium oxide	Black	2	
1	Hood HD.64.Pg.1.29	Aluminium	-	Grey	1	
0-11-7-2-11-12-61-6	DESCRIPTION	MATERIAL	SURFACE	COLOR	TEM NO	REMARKS
ORDERING TEXT						
HD.64.Sto.1.29.Z						
HD-K.64.Sto.1.29.Z						
HD.64.Sto-VS.1.29.Z						
HD-K.64.Sto-VS.1.29.Z						
HD.64.Sto-GR.1.29.Z						
HD.64.Sto.1.29.ERW.29.736						

THIS DRAWING IS A CONTROLLED DOCUMENT. DMN 09.12.1998
 CHK 09.12.1998

STE TE Connectivity

NAME: Hood HD.64.Sto.1.29.Z

PRODUCT SPEC: -

APPLICATION SPEC: -

WEIGHT: -

CUSTOMER DRAWING

DIMENSIONS: mm

TOLERANCES UNLESS OTHERWISE SPECIFIED:

0 PLC ±

1 PLC ±

3 PLC ±

4 PLC ±

ANGLES ±

FINISH: -

SCALE: 5:1 SHEET 1 OF 1 REV: A6