

Part Number: D3I3090

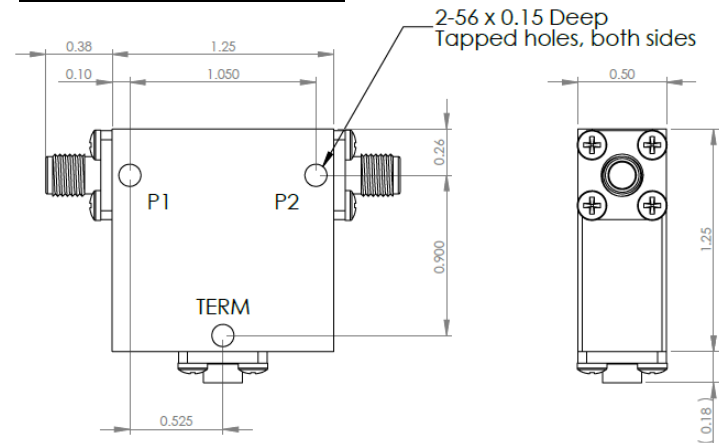
Electrical Specifications

Frequency Range (GHz):	3.0 – 9.0
Isolation (dB):	14 MIN
Insertion Loss (dB):	1.0 MAX
VSWR:	1.5:1 MIN
Forward Power (W):	20 AVG 20 PK
Reflective Power (W):	2 AVG

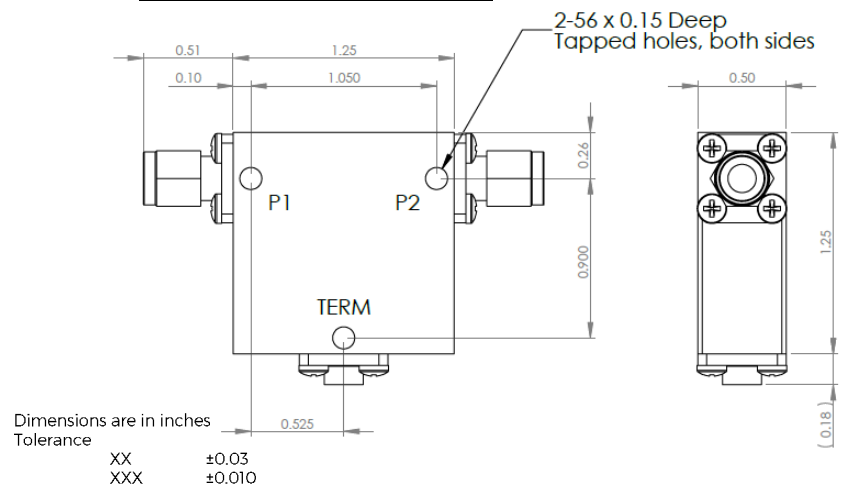
Mechanical/Environmental Specifications

Connector Type:	SMA
Connector Body:	Passivated stainless steel
Connector Pin:	Gold plated copper
Load Body:	Brass
Magnetic Shunt:	Nickel plated CRS
Operational Temp:	-20°C to +75°C
Weight (oz)	2.0 MAX

D3I3090 Dimensions



D3I3090-3 Dimensions



Type of Device	PN Suffix	Connector Configuration Input / Output	PN Example
Single and Dual Junction Isolator, 2-Port Device Input / Output	N/A	Female / Female	D3I3090
	-1	Male / Female	D3I3090-1
	-2	Female / Male	D3I3090-2
	-3	Male / Male	D3I3090-3



MEASURED DATA

Part Number: D3I3090, +25°C

