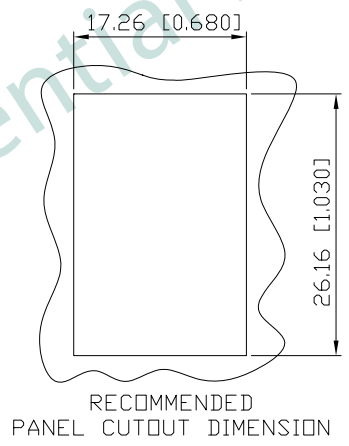
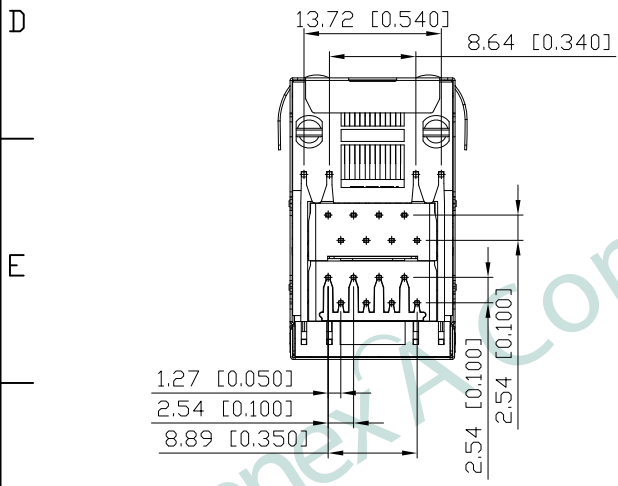
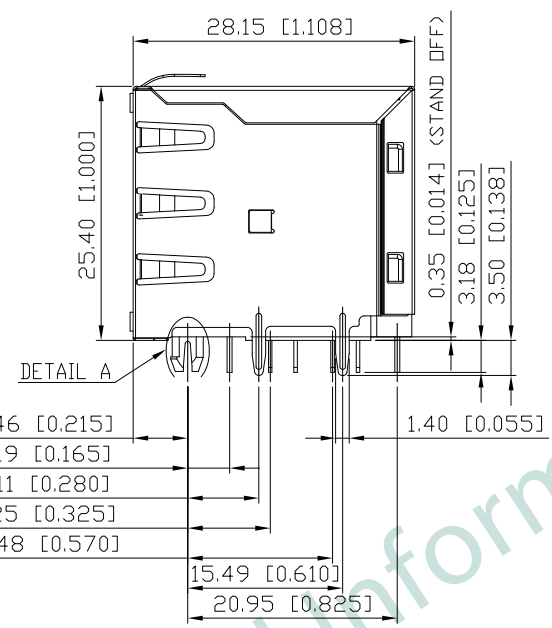
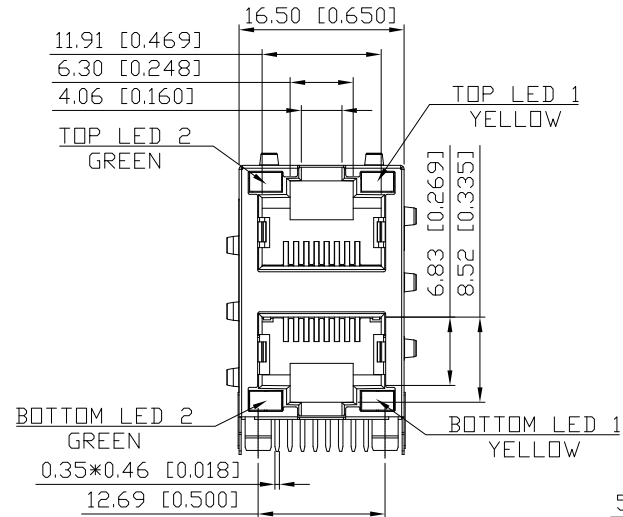
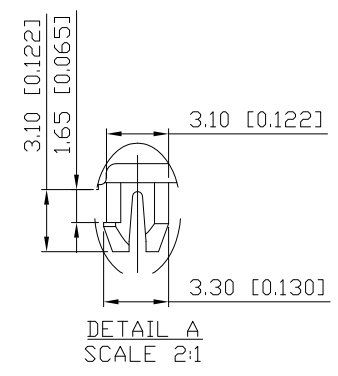


1. MECHANICAL DIMENSIONS :



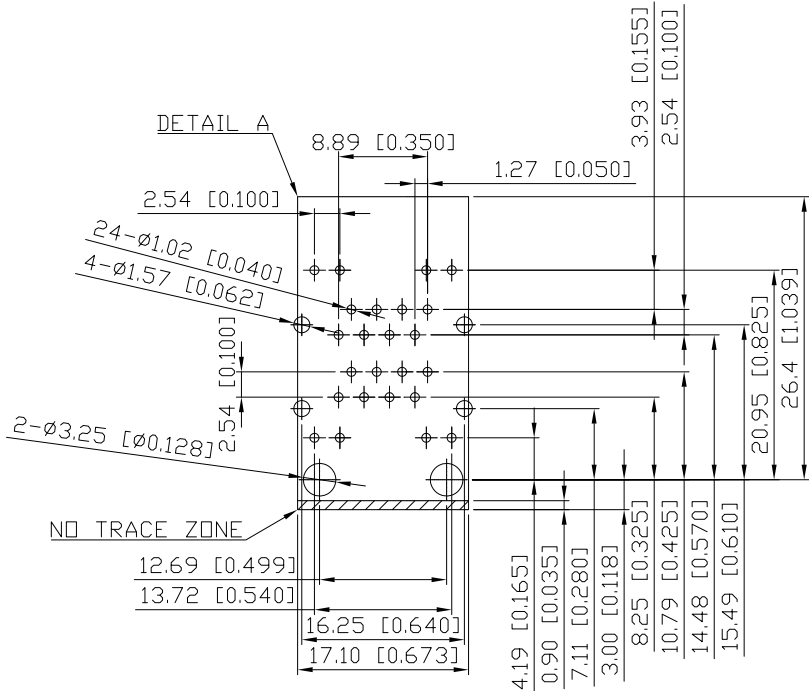
REV.	DATE	DESCRIPTION
01	Aug. 28 '18	1st RELEASE

- NOTES:
- MATERIAL:
HOUSING: HIGH THERMOPLASTIC, UL94V-0, BLACK
CONTACTS: T=0.35mm PHOS-BRONZE, XXu" GOLD PLATING ON CONTACT AREA, NICKEL UNDERPLATING OVERALL
SHIELD: COPPER ALLOY, NICKEL PLATING
 - OPERATING TEMPERATURE: -40°C~+85°C
 - INSERTION FORCE: 4 POUNDS MAX.
EXTRACTION FORCE: 4 POUNDS MAX.
 - DURABILITY: 750 MATING CYCLED MIN.
 - CAVITY CONFORMS TO FCC RULES AND REGULATIONS PART 68, SUBPART F.
 - UNSPECIFIED TOLERANCE: .XX ±0.25[0.010]
.X ±0.35[0.014]

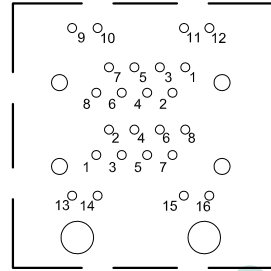


PART NO		KRD-S-21-8-8-4-1DX		
TITLE	STACKED RJ45 2X1 8P8C, W/LED, SHIELDED			
REV : 01				
UNIT	DRAWN	CHKD	DATE	SHEET
mm[inch]	CINDY	VINCENT	Aug. 28, '18	1 of 3

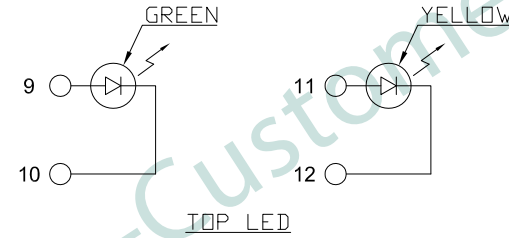
2. PCB LAYOUT :



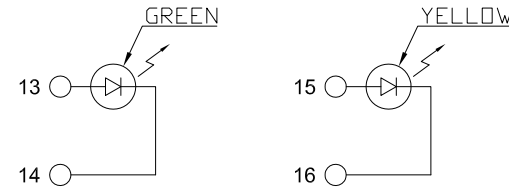
SUGGESTED PCB LAYOUT
(TOP VIEW)
DIMENSIONAL TOLERANCE: .XX ±0.08[0.003]



DETAIL A

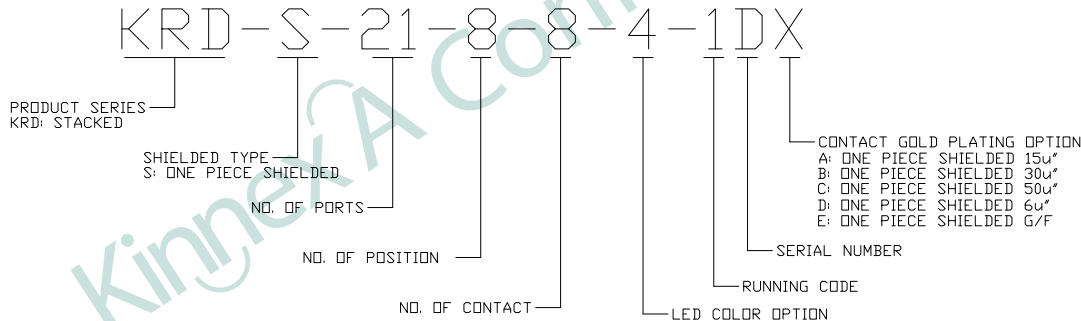


TOP LED



BOTTOM LED

COLOR	VF(V) @20mA		IV(mcd) @20mA		IF(mA)		PEAK WAVE LENGTH λP(nm) @20mA	
	TYP	MAX	TYP	TYP	TYP	TYP	TYP	TYP
GREEN	2.2	2.6	10	20	20	20	570	
YELLOW	2.2	2.6	15	20	20	20	588	



PART NO KRD-S-21-8-8-4-1DX				
TITLE	STACKED RJ45 2X1 8P8C, W/LED, SHIELDED			
REV : 01				
UNIT	DRAWN	CHKD	DATE	SHEET
mm[inch]	CINDY	VINCENT	Aug. 28, '18	2 of 3

DWG NO KRD-S-21-8-8-4-1DX

KinnexA, INC. 8F, No. 172, CHENG TEH ROAD SEC. 4, TAIPEI 11167, TAIWAN

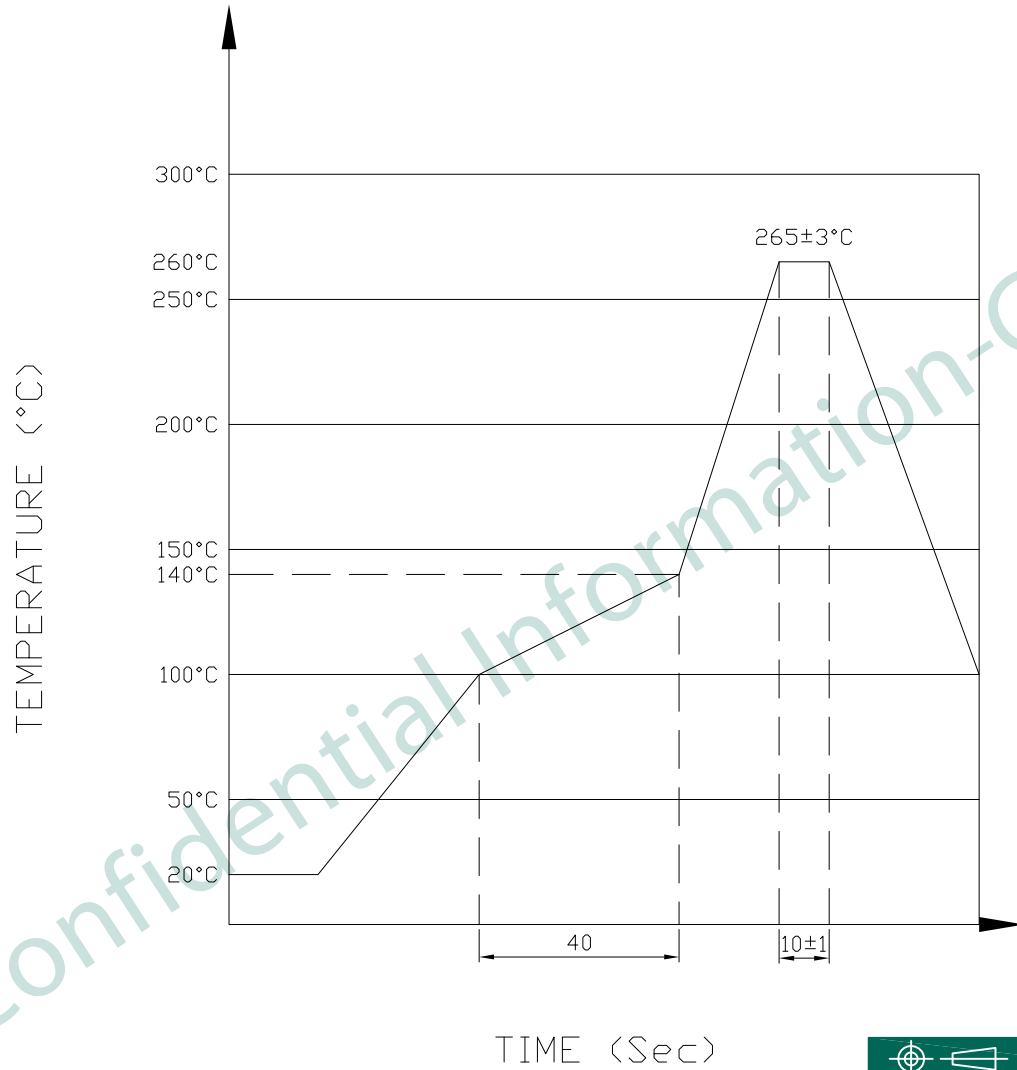
Connected by KinnexA

PRELIMINARY RELEASE SUBJECT TO CHANGE

※ THIS DRAWING IS A CONTROLLED DOCUMENT ※

ROHS Compliant

3. PROFILE OF WAVE SOLDER :



The measuring point for the specified temperature shall be on the soldered part of the lead

PART NO KRD-S-21-8-8-4-1DX				
TITLE	STACKED RJ45 2X1 8P8C, W/LED, SHIELDED			
REV : 01				
UNIT	DRAWN	CHKD	DATE	SHEET
mm[inch]	CINDY	VINCENT	Aug. 28, '18	3 of 3