

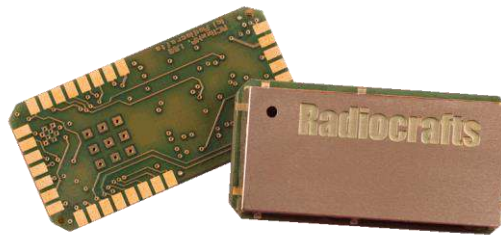
Low cost 2.45 GHz Multi-Channel RF Transceiver Module

Product Description

The RC2500 RF Transceiver Module is a compact surface-mounted module for multi-channel GFSK operation in the 2.45 GHz ISM band. The module is completely shielded and pre-certified for operation under the European radio regulations for license-free use, and complies with FCC (US), WPC (India) and ARIB (Japan) regulations.

Applications

- Automatic Meter Reading(AMR)
- OEM equipment
- Home and building automation
- Radio modems
- Point-of-sales terminals
- Bar code scanners
- Telemetry stations
- Fleet management



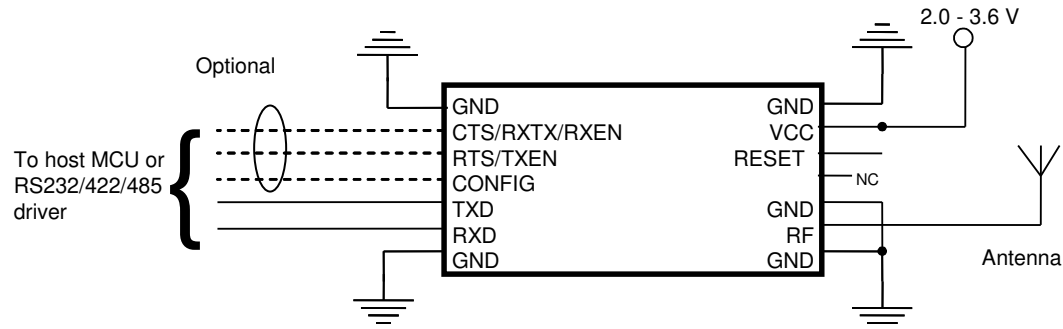
Features

- Multi-channel GFSK
- Compact shielded module for SMD mounting
- Embedded RF protocol (RC232™)
- Up to 1018 byte data buffer
- 83 channels at 2.400 – 2.483 GHz
- Buffered mode: 2.4 – 230.4 kBd UART Baud rate
1.2 kb/s to 100 kb/s on air RF data rate
- Wide supply voltage range, 2.0 – 3.6 V
- Conforms with EN 300 440s (Europe), FCC CFR 47 part 15 (US), ARIB STD-T66 (Japan)

Quick Reference Data (3.3V, 25°C)

Parameter	Min	Typ	Max	Unit
Frequency band	2400		2483	MHz
Number of channels		83		
RF data rate (programmable)	1.2		100	kbit/s
UART data rate	2.4	19.2	230.4	kBaud
Output power (programmable)	-20		1	dBm
Sensitivity, 1.2 kbit/s		-105		dBm
Sensitivity, 100 kbit/s		- 89		dBm
Supply voltage	2.0		3.6	Volt
Current consumption, RX		25		mA
Current consumption, TX, +1dBm		27		mA
Current consumption, SLEEP		0.4		µA
Temperature range	-40		+85	°C

Typical Application Circuit



Quick Product Introduction

How do I transmit data?

Send your data to the RXD pin on the module. Use the UART format with settings (19200, 8, 1, N, no flow control), use 2 stop-bits if CTS is enabled. Up to 1018 of payload bytes are buffered in the module (total of 1024 including header bytes). The module will transmit the data when

- the max packet length is reached
- the unique end character is sent to the module
- the modem timeout limit is reached

The packet length, end character and timeout limit are configurable in-circuit.

How do I receive data?

Any received data packet with correct address and check sum will be sent on the TXD pin using the same UART format as for transmit.

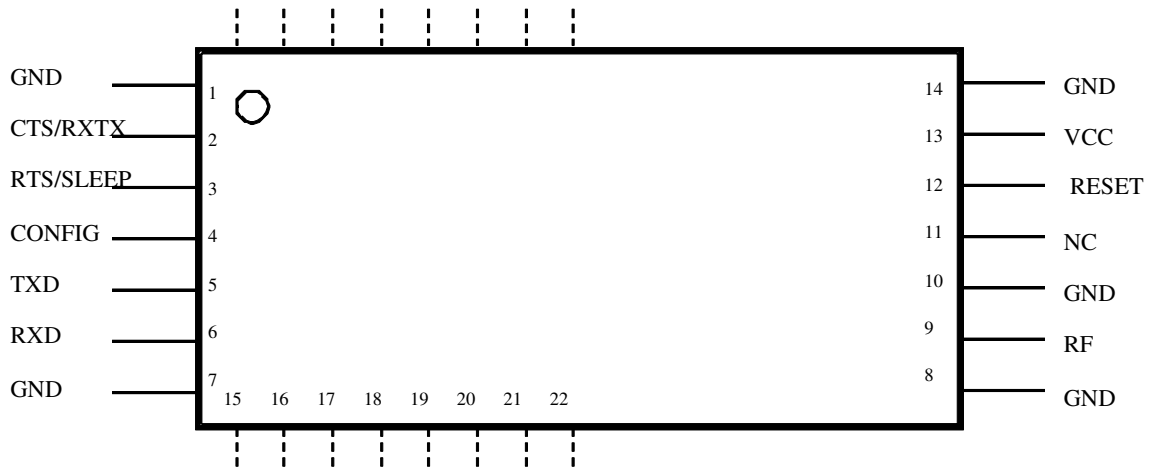
What about the antenna?

In most cases a simple quarter wavelength wire or a PCB track will do. Connect a piece of wire to the RF pin with length corresponding to the quarter of a wavelength. For space limited products, contact Radiocrafts and we will recommend the best antenna solution for your application.

How do I change the RF channel or any other parameter?

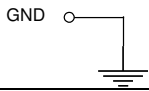
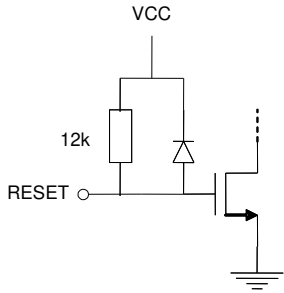
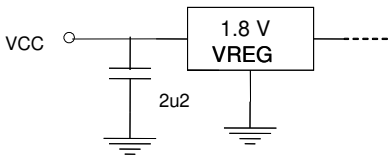
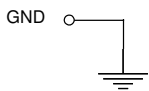
To change configurable parameters, assert the CONFIG pin, and send the command string using the same serial interface as for transmitting data. Parameters can be changed permanently and stored in non-volatile memory in the module.

Pin Assignment



Pin Description

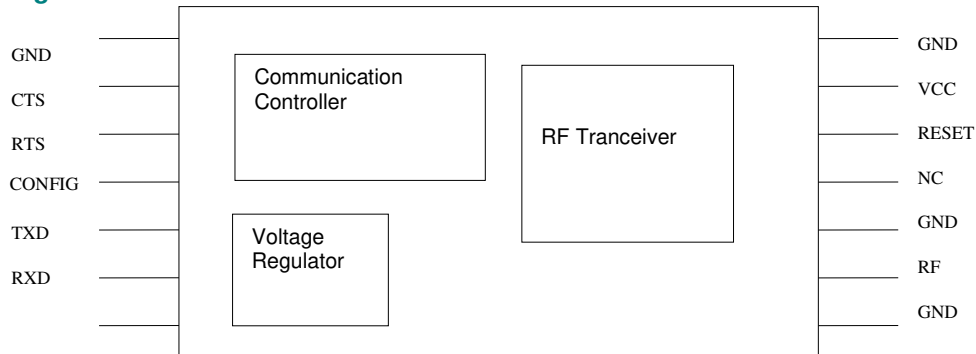
Pin no	Pin name	Description	Equivalent circuit
1	GND	System ground	
2	CTS/RXTX	UART Clear to Send or UART RXTX	<p>Input:</p> <p>Output:</p>
3	RTS/SLEEP	UART Request to Send. Set low to enter Sleep mode if RTS handshake is not in use. (See Note 2)	
4	CONFIG	Configuration Enable. Active low. Should normally be set high. (See Note 2)	
5	TXD	UART TX Data	<p>Output:</p>
6	RXD	UART RX Data. Use external max 8k2 kohm pull-up resistor if connected to an open collector output from a host MCU or other high impedance circuitry like level shifters. (See Note 1)	
7	GND	System ground	
8	GND	System ground	
9	RF	RF I/O connection to antenna	

Pin no	Pin name	Description	Equivalent circuit
10	GND	System ground	
11	NC	Not connected	
12	RESET	Main reset (active low). Should normally be left open. Internal 12 kΩ pull-up resistor.	
13	VCC	Supply voltage input. Internally regulated.	
14	GND	System ground	
15-30	RESERVED	Test pins or pins reserved for future use. <i>Do not connect!</i>	

Note 1: For UART communication the TXD and RXD are used for serial data, and CTS and RTS for flow control (optional). RXD should be high when not sending data to the module.

Note 2: The internal pull-ups on CONFIG and RTS/SLEEP pin are disabled in Sleep mode to minimise the sleep current.

Block Diagram



Circuit Description

The module contains a communication controller with embedded RC232™ protocol software and a high performance RF transceiver

The communication controller handles the radio packet protocol, the UART interface and controls the RF transceiver. Data to be sent by the host is received at the RXD pin and buffered in the communication controller. The data packet is then assembled with preamble, start-of-frame delimiter (SOF), address information and CRC check sum before it is transmitted on RF. The preamble and SOF is always used. The address and CRC are optional.

The RF transceiver modulates the data to be transmitted on RF frequency, and demodulates data that are received.

Received data are checked for correct address and CRC by the communication controller. If the address matches the modules own address, and no CRC errors were detected, the data packet is sent to the host on the TXD line after removing the header.

The asynchronous UART interface consists of RXD and TXD. Optionally CTS, RTS can be used for hardware handshake flow control. RXTX can be used to control the direction of an RS485 driver circuit.

When the CONFIG pin is asserted the communication controller interprets data received on the RXD pin as configuration commands. There are commands to change the radio channel, the output power, the destination address etc. Permanent changes of the configuration is also possible and are then stored in internal non-volatile memory.

The RF protocol and the configuration commands are described in detail in the RC232™ User Manual.

The supply voltage is connected to the VCC pin. The module contains an internal voltage regulator, which gives the transceiver a filtered operating voltage.

RC232™ Embedded Protocol

The module offers a buffered packet radio in the RC232™ embedded protocol. Using the buffered packet radio mode, all data to be sent is stored in the module before they are transmitted by the RF circuitry. Likewise, when data is received they are stored in the module before they are sent to the host. This allows the communication controller to add address information and to do error check of the data. In buffered mode the UART interface is used to communicate with the host.

The embedded protocol, configuration commands and configuration memory is described in the RC232™ User Manual. This protocol is used in a wide range of RF modules available from Radiocrafts. Please refer to the latest revision available on Radiocrafts web-site.

Power Management

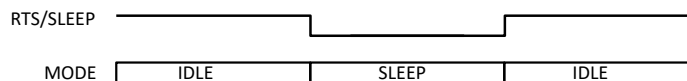
The module can be set in SLEEP mode in order to reduce the power consumption.

When the SLEEP pin is not enabled (RF_SLEEP_MODE = 0x00) the module can be set in Sleep mode by activating CONFIG and sending a 'Z' command. The module is woken up when CONFIG is deactivated (goes high). Note: During Sleep the CONFIG pin does not have any internal pull-up, so the CONFIG pin must be driven high in order to wake the module. Any activity on the RXD pin will make the module wake up, but immediately return to Sleep as long as CONFIG is kept low. Such activity on the RXD pin should be avoided in order to reduce current consumption.

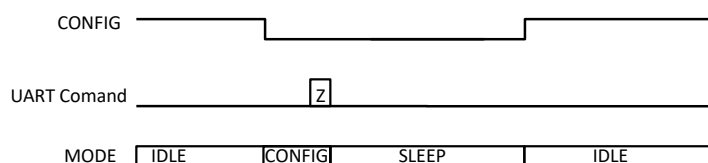
When the SLEEP pin is enabled (RF_SLEEP_MODE = 0x02) the module can be set in Sleep mode by activating RTS/SLEEP (asserting low). The module is woken up when RTS/SLEEP is deactivated (goes high). Note: During Sleep the RTS/SLEEP pin does not have any internal pull-up, so the RTS/SLEEP pin must be driven high in order to wake up the module. Any activity on the RXD or CONFIG pins will not make the module wake up. Activity on module pin 16 and 17 can wake the module and must be avoided (do not connect, as previously stated in this document). CONFIG must be high when awakening the module to avoid setting the module directly in configuration mode.

All configuration settings and RAM values are retained during Sleep. The pull-ups on RTS/SLEEP and CONFIG pin are disabled during sleep mode in order to minimise the sleep current consumption. If the module is shut completely off, all configuration settings in non-volatile memory is restored, but values in RAM are overwritten with default settings.

Enter SLEEP Mode Using RTS/SLEEP pin



Enter SLEEP Mode Using CONFIG and Z Command

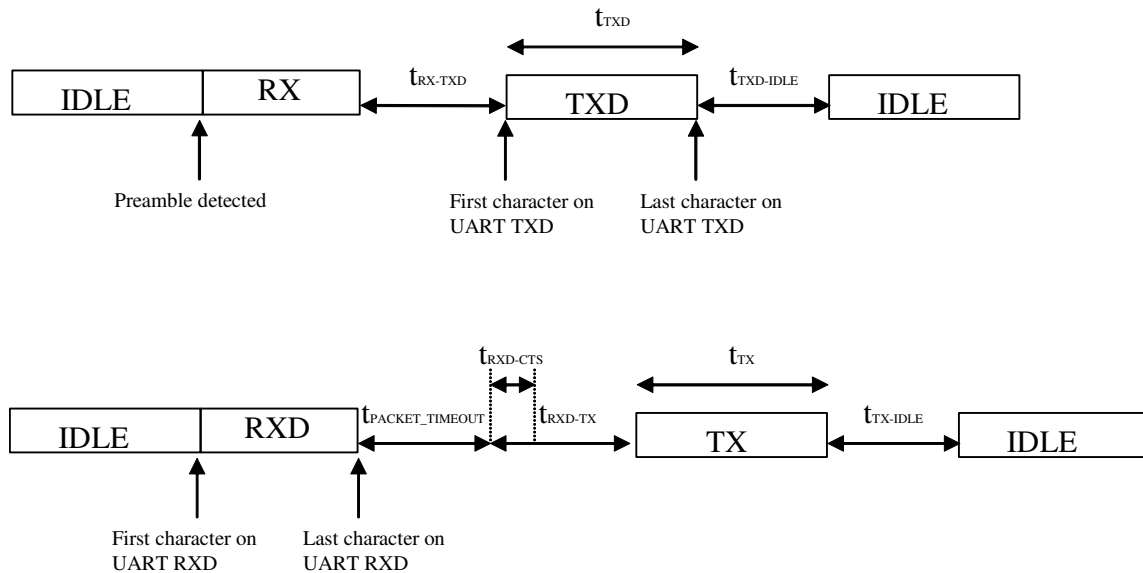


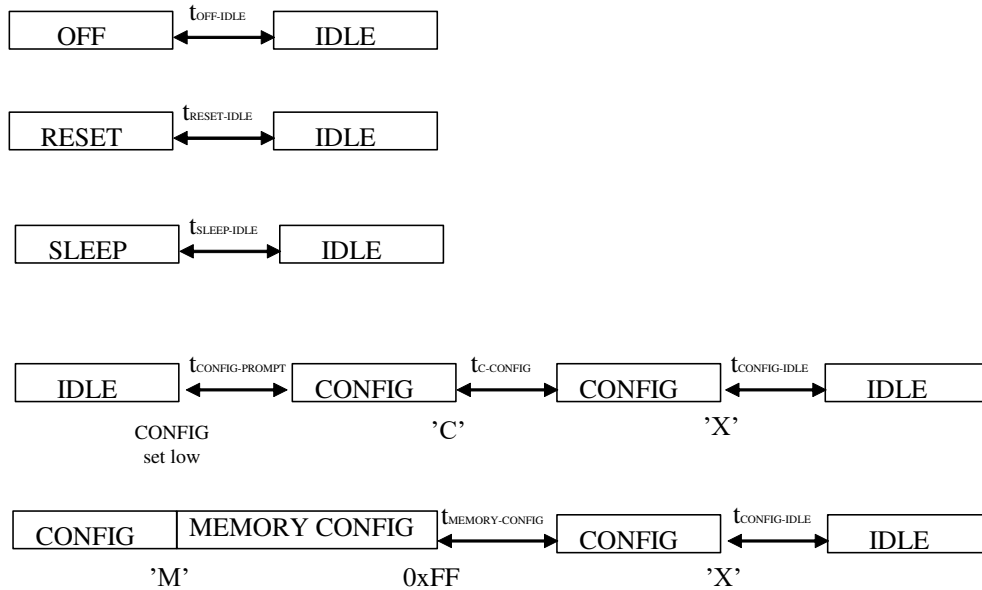
Timing Information

The figure and table below shows the timing information for the module when changing between different operating states.

The IDLE state is the normal state where the module search for preamble on the air and wait for a character to be received on the UART. RX is the state when receiving characters from the host filling up the internal buffer. TX state is when the data is transmitted on the air. RX state is when data is received from the air after preamble detection. TXD is the state where the received data is sent to the host on the UART.

CONFIG is the state entered by asserting the CONFIG pin and used during parameter configuration, while MEMORY CONFIG is the sub-state entered by the 'M' command where the configuration memory is being programmed. Note the limitation on maximum number of write cycles using the 'M' command, see Electrical Specifications.





Symbol	Value	Description / Note
$t_{\text{RX-TXD}}$	180 us	Time from last byte is received from the air until first character is sent on the UART
t_{TXD}	Min 590 us	$t_{\text{TXD}} = \# \text{ bytes received} \times 590 \text{ us/char}$ (10 bits at 19.2 kBd + 70 us delay per character)
$t_{\text{TXD-IDLE}}$	900 us	Time from last character is sent on the UART until module is in IDLE mode (ready for RXD and RX)
$T_{\text{RXD-CTS}}$	20 us	Time from last character is received by the UART (including any timeout) until CTS is activated
$t_{\text{RXD-TX}}$	960 us	Time from last character is received by the UART (including any timeout) until the module sends the first byte on the air.
$T_{\text{TX-IDLE}}$	960 us	Time from last character is sent on the air until module is in IDLE mode (ready for RXD and RX)
$t_{\text{OFF-IDLE}}$	3.2 ms	
$t_{\text{RESET-IDLE}}$	3.0 ms	
$t_{\text{SLEEP-IDLE}}$	1.28 ms	
$t_{\text{CONFIG-PROMPT}}$	590 us	Time from CONFIG pin is set low until prompt (“>”)
$t_{\text{C#-CONFIG}}$	1.1 ms	Delay after channel-byte is sent until prompt (“>”). (For other commands like ‘M’, ‘T’ there is no delay but immediate prompt)
$t_{\text{MEMORY-CONFIG}}$	30.52 ms	In this period the internal flash is programmed. <i>Do not reset, turn the module off, or allow any power supply dips in this period as it may cause permanent error in the Flash configuration memory. After 0xFF the host should wait for the ‘>’ prompt before any further action is done to ensure correct re-configuration.</i>
$T_{\text{CONFIG-IDLE}}$	1.42 ms	
t_{TX}	Min 20 ms	$t_{\text{TX}} = \# \text{ bytes to send} \times 1.67 \text{ ms/byte}$ (at 4.8 kbit/s) + 7 bytes preamble, sync and length + 2 bytes address + 2 bytes CRC
T_{RSSI}	4 ms	Time from end of S command to start of RSSI byte received on UART

RF Frequency, Output Power Levels and Data Rates

The following table shows the available RF channels and their corresponding frequencies, nominal output power levels and available data rates.

Model	RF channel	Output power	Data rate
RC2500-RC232	1: 2400.75 MHz	Channel 1-83: 1: -20 dBm 2: -10 dBm 3: -5 dBm 4: -1 dBm 5: 1 dBm	1: 1.2 kbit/s
	2: 2401.75 MHz		2: 4.8 kbit/s
	3: 2402.75 MHz		3: 19.2 kbit/s
	4:		4: 32.768 kbit/s
		5: 76.8 kbit/s
	39: 2438.75 MHz		6: 100 kbit/s
	40: 2439.75 MHz		7: For future use
	41: 2440.75 MHz		
	..		
		
	80: 2479.75 MHz		
	81: 2480.75 MHz		
	82: 2481.75 MHz		
	83: 2482.75 MHz		
N: 2399.75+N MHz			

Table 1 Frequency and output power settings

RF channel and output power level can be set using the configuration commands 'C' and 'P' respectively. The data rate can *only* be changed in configuration memory by using the 'M' command setting RF_DATA_RATE. The *default* RF channel and output power level can be set in the configuration memory by using the 'M' command setting RF_CHANNEL and RF_POWER. The default values are used after power ON and RESET. The default factory settings are shown in **bold** in the table above.

For more details on changing the RF channel, output power or data rate, refer to the description of the configuration commands.

Due to the large frequency area covered some channel could proved to have reduced sensitivity at high data rates. The channels not recommended for rates of > 19.2 are ch 3, 17, 30, 37, 44, 51, 57, 64, and 71.

RSSI Reading

The module provides a digital Received Signal Strength Indicator (RSSI) through the 'S' command, or the RSSI value can be attached to received messages. The module returns an 8 bit character (one byte) indicating the current input signal strength (followed immediately by a second character which is the prompt ('>') when in command mode). The signal strength can be used as an indication of fading margin, or as a carrier sense signal to avoid collisions.

The signal strength measure by the S command is the instantaneous value. The RSSI value appended to a received message (RSSI_MODE = 1) is the signal strength of that received packet.

The RSSI value increases with increased input signal strength in 0.5 dB steps. Input signal strength is given by (typ.):

$$P = - \text{RSSI} / 2 \text{ [dBm]}$$

Temperature Reading

The module provides readings of a digital temperature monitoring sensor (TEMP) through the 'U' command. The module returns an 8 bit character (one byte) indicating the current

temperature in degrees Celsius (°C) followed immediately by a second character which is the prompt ('>').

The TEMP value increases with increased temperature in 1 °C steps and accuracy of +/- 5 °C.

Temperature is given by:

$$T = \text{TEMP}(\text{dec}) - 128 \text{ [}^\circ\text{C]} \text{ (example: TEMP=0x98 equals +24 }^\circ\text{C)}$$

Power Supply voltage Reading

The module provides readings of an internal power supply voltage monitoring sensor (VCC) through the 'V' command. The module returns an 8 bit character (one byte) indicating the current power supply voltage level followed immediately by a second character which is the prompt ('>'). The command can be useful for battery power monitoring.

The VCC value increases with increased power supply voltage in 30 mV steps. The power supply voltage is given by:

$$V = \text{VCC}(\text{dec}) * 0.030 \text{ [V]} \text{ (example: VCC=0x68 equals 3.12 V)}$$

Module Configuration

The configuration of the module can be changed in-circuit from the host during operation, at the time of installation of the equipment, at the manufacturing test, or even as a stand alone module. The configuration is changed sending commands on the UART interface after the module is set in configuration mode. The configuration mode is entered by asserting the CONFIG pin (set low).

In command mode the module will respond by sending a '>' prompt on the TXD pin. This indicates that the module is ready to receive commands. The CONFIG pin can then be de-asserted. Note that the CONFIG pin must be de-asserted *before* the Exit command ('X') is sent to the module in order to return to normal operation.

After a command is executed, the module responds with the '>' prompt character again indicating it is ready for a new command. Do not send a new command before the '>' prompt is received. The time required to execute a command can vary depending on the command (see the Timing Information section). There is no '>' prompt after the 'X' exit command.

The parameters that are set by commands directly take immediate effect after returning to normal operation (IDLE), but will not be stored in non-volatile memory, and will be lost in case the supply power is turned off or if the module is reset. These parameters are for example the radio channel and output power.

A list of commands is shown in the table below.

Parameter	Command	Argument in hex (decimal)	Note
Channel	'C' – 0x43	0x01-0x53 (1-83)	Data is stored in volatile memory only. For variants not listed here, refer to the specific data sheet.
Output power	'P' – 0x50	0x01-0x05 (1-5)	Data is stored in volatile memory only.
Signal Strength (RSSI)	'S' – 0x53	Returns one byte indicating the signal strength	
Destination address	'T' – 0x54	0x00 – 0xFF (0-255)	Data is stored in volatile memory only.
Temperature monitoring	'U' – 0x55	Returns one byte indicating the temperature.	See page 10 for details

Parameter	Command	Argument in hex (decimal)	Note
Battery monitoring	'V' – 0x56	Returns one byte indicating the power supply voltage.	See page 10 for details
Memory Read one byte	'Y' – 0x59	0x00 – 0x7F (The argument is the address in the configuration memory.)	Return one byte value from the configuration memory.
Memory configuration	'M' – 0x4D	(Address, Data): see list of parameters below. 0xFF exits memory configuration.	Used to enter memory configuration menu. Parameters changed are stored in non-volatile memory.
Memory Reset	'@RC'	No arguments, but CONFIG must be low for this command.	Resets the configuration memory back to factory default values in the whole non-volatile memory.
Exit command	'X' – 0x58	(none)	Exit to normal operation mode. All changes of parameters take effect.
Test mode 1	'1' – 0x31	(none)	TX carrier
Test mode 2	'2' – 0x32	(none)	TX modulated signal PN9 sequence
Test mode 3	'3' – 0x33	(none)	TX Off, RX mode
Test Mode 4	'4' – 0x34	(none)	Radio off mode (RX and TX off)

Note: ASCII characters are written as 'X', hexadecimal numbers are written like 0x00, and decimal numbers are written like 10 throughout the text. A table of ASCII characters and their respective hex and decimal values are found in the Appendix.

Commands must be sent as ASCII characters or their corresponding binary value. All arguments must be sent as binary values to the module (not as ASCII representation for hex or decimal). Any invalid command will be ignored and the '>' prompt will be re-sent. The CONFIG line must be de-asserted after the first '>' prompt was received, but before the 'X' command.

To make permanent changes to default values and other parameters, the Memory Configuration command 'M' is used. This command should be followed by pairs of byte being the memory address and the new value to be stored at that address. In order to exit the Memory Configuration mode command 'X' must be sent.

Example:

To select RF channel 3, send the follow sequence after asserting the CONFIG line and the '>' prompt is received:

Command	Hex	Response	Comment/Note
CONFIG asserted		'>'	De-assert CONFIG after '>' prompt
'C'	0x43	'>'	
3	0x03	'>'	Wait for '>' prompt
[A new command could be issued here]			
'X'	0x58	(none)	Module returns to IDLE state

It is important to enter Test mode 3 before exiting the configuration mode ('X') if Test mode 1 or 2 has been used. This will ensure proper operation in normal mode.

Configuration Memory

The table below shows the complete list of configurable parameters stored in non-volatile memory. These values can be changed using the 'M' command. All addresses and arguments must be sent as binary values to the module (not as ASCII representation for hex or decimal).

Parameter	Description	Address hex	Argument dec	Factory setting hex (dec)	Comment
Radio configuration					
RF_CHANNEL	Default RF channel	0x00	1-83	0x28(40)	See table page for details
RF_POWER	Default RF output power	0x01	1-5	0x05 (5)	See table page 9 for details
RF_DATA_RATE	Default RF data rate	0x02	1-7	0x03 (3)	See table page 9 for details
SLEEP_MODE	Sleep Mode	0x04	0: SLEEP pin disabled 1: reserved 2: SLEEP pin enabled	0x00 (0)	When enabled, the module will enter sleep mode by asserting sleep pin low. Do not use in combination with enabled UART flow control.
RSSI_MODE	Append RSSI	0x05	0-1	0x00 (0)	0: No RSSI append 1: RSSI append
Radio packet configuration					
PACKET_LENGTH_H	Max packet length high byte	0x0E	0x00-0x03 (0-3)	0x00 (0)	Packet length > 128 was introduced in FW rev 1.28. For older revisions always use PACKET_LENGTH_H=0. If PACKET_LENGTH_H=0 for FW rev 1.28 and newer, then the packet format is backward compatible with FW rev 1.27 and older.
PACKET_LENGTH_L	Max packet length low byte	0x0F	0x01-0xFF (1-255)	0x80 (128)	
PACKET_TIMEOUT	Time before modem timeout and transmitting the buffer	0x10	0x00-0xFE (0-254) 0x00 (0): None 0x01 (1): 32 ms 0x02 (2): 48 ms 0x03 (3): 64 ms 0x7C (124): 2 s 0xF9 (249): 4 s	0x7C (124)	None means packet timeout is disabled (not 0 s). Timeout value is (PACKET_TIMEOUT x 16 ms) + 0/16 ms min/max 0xFE (254) is max, giving 4.080 sec. Default is 2 s = 0x7C (124)
PACKET_END_CHARACTER		0x11	0x00: Off 0x01-0xFF: On	0x00	0: No end character 1-255: Use value as end character
Medium access, addressing and network management					
ADDRESS_MODE		0x14	0x00, 0x02, 0x08	0x02 (2)	0: No addressing 2: 1 byte addressing 8: 4 byte addressing (FW rev 1.28 and newer) Using addressing adds the SID and DID bytes to the radio packet.
CRC_MODE		0x15		0x02 (2)	0: None 2: CRC16
UNIQUE_ID1 (UID1)		0x19	0-255	0x01 (1)	ADDRESS_MODE=8 UID=UID4:UID3:UID2:UID1 SID=SID4:SID3:SID2:SID1 DID=DID4:DID3:DID2:DID1 BID=BID4:BID3:BID2:BID1 ADDRESS_MODE=2
SYSTEM_ID1 (SID1)		0x1A	0-255	0x01 (0)	
UNIQUE_ID2 (UID2)		0x1B	0-255	0x01 (1)	
SYSTEM_ID2 (SID2)		0x1C	0-255	0x01 (0)	
UNIQUE_ID3 (UID3)		0x1D	0-255	0x01 (1)	
SYSTEM_ID3 (SID3)		0x1E	0-255	0x01 (0)	
UNIQUE_ID4 (UID4)		0x1F	0-255	0x01 (1)	
SYSTEM_ID4 (SID4)		0x20	0-255	0x01 (0)	

Parameter	Description	Address hex	Argument dec	Factory setting hex (dec)	Comment
DESTINATION_ID1(DID1)		0x21	0-255	0x01 (1)	UID=UID1 SID=SID1 DID=DID1 BID=BID
DESTINATION_ID2(DID2)		0x22	0-255	0x01 (1)	
DESTINATION_ID3(DID3)		0x23	0-255	0x01 (1)	
DESTINATION_ID4(DID4)		0x24	0-255	0x01 (1)	
BROADCAST_ADDRESS		0x28	0-255	0xFF (255)	
Data and configuration interface, UART Serial Port					
UART_BAUD_RATE	Baud rate	0x30	0x00: Not used 0x01: 2400 0x02: 4800 0x03: 9600 0x04: 14400 0x05: 19200 0x06: 28800 0x07: 38400 0x08: 56700 0x09: 76800 0x0A: 115200 0x0B: 230400	0x05 (5)	BE CAREFUL IF CHANGING AS HOST MAY LOOSE CONTACT WITH MODULE! Does not take effect until module is re-booted / reset.
UART_NUMBER_OF_BITS		0x31	8: 8 bits 9: 8 bits +1 parity	0x08 (8)	BE CAREFUL IF CHANGING AS HOST MAY LOOSE CONTACT WITH MODULE! Parity bit only an option when address 0x31=0x09 (9 bits)
UART_PARITY		0x32	0: even parity 1: odd parity	0x00 (0)	
UART_STOP_BITS		0x33	1: 1 stop bit 2: 2 stop bits	0x01 (1)	
UART_FLOW_CTRL	UART flow control	0x35	0: None 1: CTS only 3: CTS/RTS 4: RXTX(RS485)	0x00 (0)	Does not take effect until module is re-booted / reset.
PART_NUMBER		0x3C-0x49		RCxxxx RC232	
HW_REV_NO		0x4B-0x4E		x.yz	x, y and z; Any number 0d-9d
FW_REV_NO		0x50-0x53		x.yz	x, y and z; Any number 0d-9d

Antenna Connection

The antenna shall be connected to the RF pin. The RF pin is matched to 50 Ohm. If the antenna connector is placed away from the module at the motherboard, the track between the RF pin and the connector should be a 50 Ohm transmission line.

On a two layer board made of FR4 the width of a microstrip transmission line should be 1.8 times the thickness of the board, assuming a dielectric constant of 4.8. The line should be run at the top of the board, and the bottom side should be a ground plane.

Example: For a 1.6 mm thick FR4 board, the width of the trace on the top side should be $1.8 \times 1.6 \text{ mm} = 2.88 \text{ mm}$.

The simplest antenna to use is the quarter wave whip antenna. A quarter wave whip antenna above a ground plane yields 37 Ohm impedance and a matching circuit for 50 Ohm are usually not required. A quarter wave antenna, like a piece of wire normal to ground plane should have a length equivalent to 95% of the free space wavelength.

A PCB antenna can be made as a copper track where the ground plane is removed on the back side. The rest of the PCB board should have a ground plane as large as possible, preferably as large (in one dimension) as the antenna itself, to make it act as a counterweight to the antenna. A quarter wavelength antenna on a PCB must be shorter than the wire antenna due to the influence of the dielectric material of the PCB. The length reduction depends on the PCB thickness and material, as well as how close to the edge of the board the antenna is placed. Typical reduction is to 75-90 % but exact length must be found empirically. However, a 1.0 or 1.6 mm FR4 PCB with the antenna trace < 1 cm from conducting obstacles normally reduces the length to about 2.4 cm.

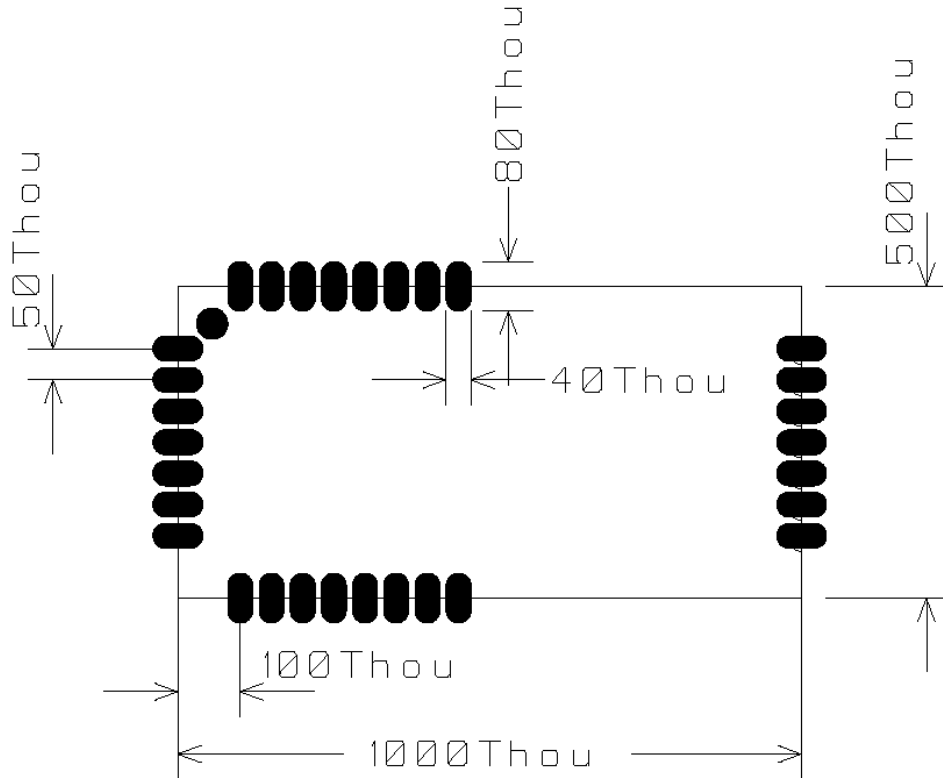
If, for space reasons, the track is made even shorter than the resonating quarter of a wavelength, the antenna should be matched to 50 ohms using a series inductor and a shunt capacitor.

The length of a quarter-wave antenna is given in the table below.

Frequency [MHz]	Length of whip antenna [cm]	Length of PCB track [cm]
2450	2.9	2.25 – 2.7

PCB Layout Recommendations

The recommended layout pads for the module are shown in the figure below. All dimensions are in thousands of an inch (mil). The circle in upper left corner is an orientation mark only, and should not be a part of the copper pattern.



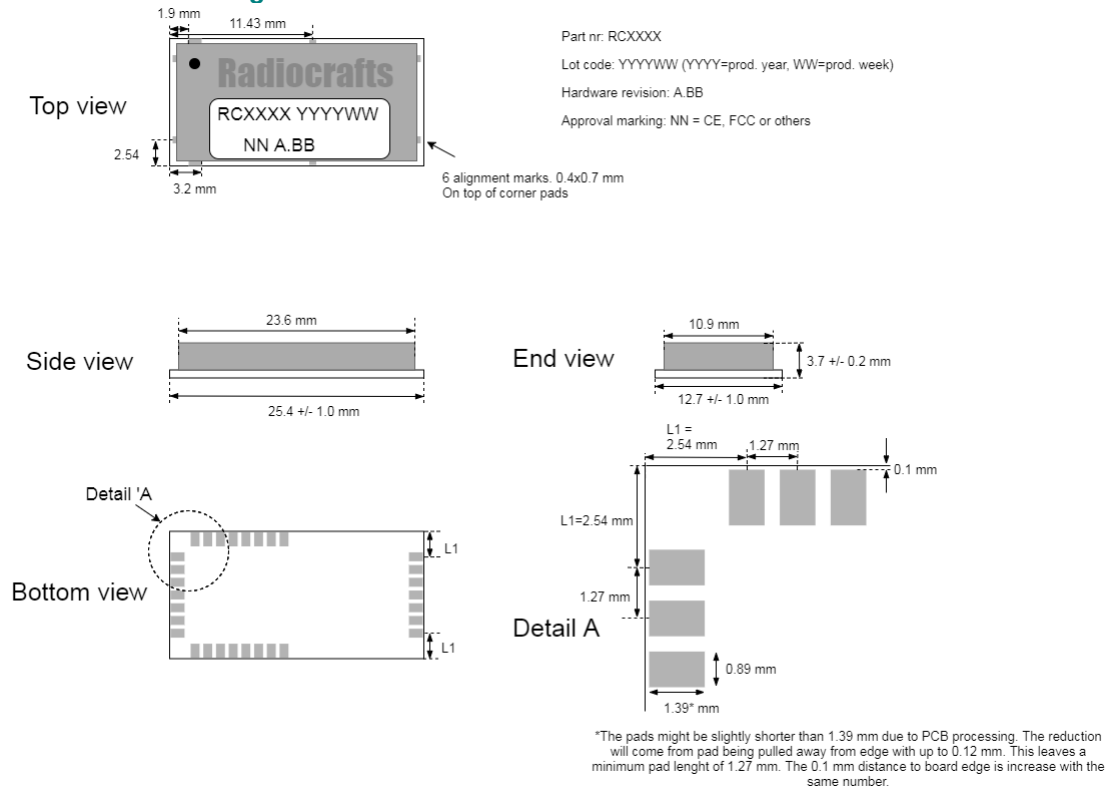
A PCB with two or more layers and with a solid ground plane in one of the inner- or bottom layer(s) is recommended. All GND-pins of the module shall be connected to this ground plane with vias with shortest possible routing, one via per GND-pin.

On the back side of the module there are several test pads. These test pads shall not be connected, and the area underneath the module should be covered with solder resist. If any routing or vias is required under the module, the routing and vias must be covered with solder resist to prevent short circuiting of the test pads. It is recommended that vias are tented.

Reserved pins should be soldered to the pads but the pads must be left floating.

Note that Radiocrafts technical support team is available for schematic and layout review of your design.

Mechanical Drawing



Mechanical Dimensions

The module size is 12.7 x 25.4 x 3.7 mm.

Carrier Tape and Reel Specification

Carrier tape and reel is in accordance with EIA Specification 481.

Tape width	Component pitch	Hole pitch	Reel diameter	Units per reel
44 mm	16 mm	4 mm	13"	Max 1000

Soldering Profile Recommendation

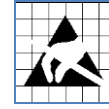
JEDEC standard IPC/JEDEC J-STD-020D.1 (page 7 and 8), Pb-Free Assembly is recommended.

The standard requires that the heat dissipated in the "surroundings" on the PCB is taken into account. The peak temperature should be adjusted so that it is within the window specified in the standard for the actual motherboard.

Aperture for paste stencil is normally areal-reduced by 20-35%, please consult your production facility for best experience aperture reduction. Nominal stencil thickness of 0.1-0.12 mm recommended.

Absolute Maximum Ratings

Parameter	Min	Max	Unit
Supply voltage, VCC	-0.3	3.9	V
Voltage on any pin	-0.3	VCC+0.3V	V
Input RF level		10	dBm
Storage temperature	-50	150	°C
Operating temperature	-40	85	°C



Caution ! ESD sensitive device.
Precaution should be used when handling the device in order to prevent permanent damage.

Under no circumstances the absolute maximum ratings given above should be violated. Stress exceeding one or more of the limiting values may cause permanent damage to the device.

Electrical Specifications

T=25°C, VCC = 3.3V if nothing else stated.

Parameter	Min	Typ.	Max	Unit	Condition / Note
Operating frequency	2400		2483	MHz	
Number of channels		83			
Input/output impedance		50		Ohm	
Data rate (programmable)	1.2	19.2	100	kbit/s	
Frequency stability			+/-20	ppm	Over operating temperature range
Transmit power Power level 1: 2: 3: 4: 5:		-17 -10 -5 -1 1		dBm	
Harmonics, 2 nd and 3 rd 1 dBm output power		-43/-52		dBm	
Spurious emission, TX, 1 dBm 30-1000 MHz 1 – 12.75 GHz 1.8 – 1.9 GHz 5.15 – 5.33 GHz			-36 -30 -47 -47	dBm	Complies with EN 300 328, EN 300 440, FCC CFR47 Part 15 and ARIB STD-T66
Sensitivity 1.2 kbit/s 4.8 kbit/s 19.2 kbit/s 32.768 kbit/s 76.8 kbit/s 100 kbit/s		-105 -103 -101 -99 -91 -89		dBm	Measured at Packet Error Ratio = 1%. Packet size = 20 bytes
Blocking / Interferer rejection / desensitization +/- 10 MHz +/- 20 MHz +/- 50 MHz		55 60 60		dBm	Wanted signal 3 dB above sensitivity level, modulated interferer. BER=0.1% Compliant to class 2 receiver requirements in EN 300 440 class 2
Saturation		-10		dBm	
Spurious emission, RX 30 – 1000 MHz 1 – 12.75 GHz			-57 -47	dBm	Complies with EN 300 328, EN 300 440, FCC CFR47 Part 15 and ARIB STD-T66
Supply voltage	2.0		3.6	V	

Current consumption, RX		25		mA	Apply over entire supply voltage range
Current consumption, TX		27		mA	
Current consumption, SLEEP		0.4	1	μA	Max value in bold apply over the entire temperature and supply voltage range
Digital I/O Input logic level, low Input logic level, high	70 %		30 %	V	Of VCC Of VCC
RESET pin Input logic level, low Input logic level, high	70 %		30 %	V	Minimum 250 ns pulse width
UART Baud Rate tolerance		+/- 2		%	UART receiver and transmitter
Configuration memory write cycles	1000				The guaranteed number of write cycles using the 'M' command is limited

Regulatory Compliance Information

The use of RF frequencies and maximum allowed RF power is limited by national regulations. The RC2500 has been designed to comply with the RED directive 2014/53/EU in Europe, FCC regulation and ARIB regulation. But in order to comply with the different standards, the output power should be configured as commented below.

RED directive (EU)

According to RED directives, it is the responsibility of Radiocrafts' customers to check that the host product (i.e. final product) is compliant with RED essential requirements. The use of a CE marked radio module can avoid re-certification of the final product, provided that the end user respects the recommendations established by Radiocrafts. A Declaration of Conformity is available from Radiocrafts on request.

For CE there is a limitation in usage to comply with EN300440v2.1.1 section 4.2.4. Only RF channels 3-81 shall be used to comply with this requirement.

FCC compliance (US, Canada)

The RC2500 has been tested towards FCC regulations for license free operation under part 15. However, a final approval is required by FCC for the end product. Output power is limited to EIRP of -1.25dBm for compliance to part 15, §249. This corresponds to power level 4.

WPC compliance (India)

License based operation in India is based on case by case grant and the basis is normally a compliance to RED directive(CE) or FCC.

License free operation in India can be achieved thru spreading of bandwidth > 10 MHz, with external frequency hopping routine.

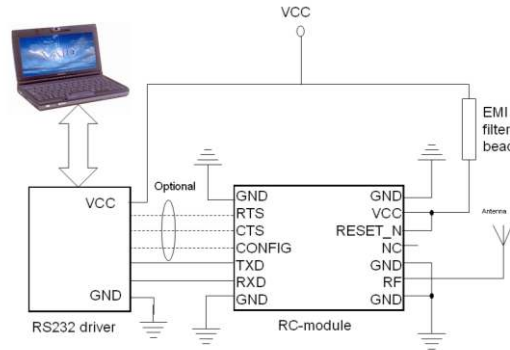
ARIB compliance

The RC2500 has been designed to comply with the requirements given by the Japanese ARIB STD-T66 for low power (short range) devices in the 2.4GHz range. However, it has not been assessed for conformity with the appropriate regulations. Users must assess and verify that their final product meets the appropriate specifications and to perform the required procedures for regulatory compliance.

The relevant regulations are subject to change. Radiocrafts AS do not take responsibility for the validity and accuracy of the understanding of the regulations referred above. Radiocrafts only guarantee that this product meets the specifications in this document. Radiocrafts is exempt from any responsibilities related to regulatory compliance.

Power Supply

Noisy external circuitry may under certain scenarios affect the transmitted signal on RC2500-RC232 and precaution should be taken for EU RED conformity. Example of circuits that can generate noise on the RC2500-RC232 transmitted spectrum may be DC/DC converters and some level converters like RS232 and RS485. To increase spectrum margin it is important to add an EMI filter bead on the VCC pin of the RC2500-RC232 module. Alternatively the RC2500-RC232 may be powered from a separate voltage regulator. This will ensure that potential switching noise is filtered out from the power supply to the RC2500-RC232. A block diagram of a typical PC serial port interface is illustrated below.



Suggested part numbers:

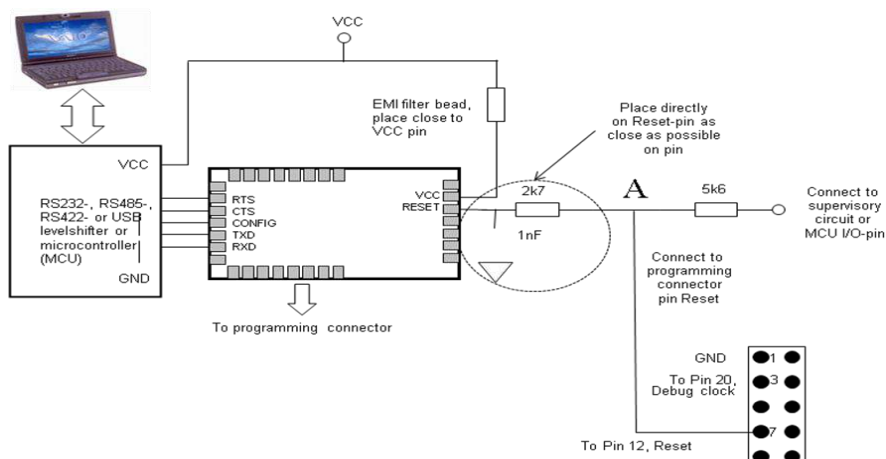
Component	Manufacturer	Part number
EMI filter bead	Murata	BLM11A102S, ordering code BLM18xx102xN1D

Programming Interface

For future firmware updates and possible custom variants it is recommended to include a 2x5 pins programming connector to the module programming pins. The connector should be a 2.54 mm pitch pin-row (same pitch in both directions), SMD or through-hole version, with the connections shown below.

Reset connection

To minimize effect of noise on the Reset-line, the Reset pin on the module (pin 12) must be connected to external circuitry via an RC-network. It is recommended to connect Reset to either a supervisory circuit or microcontroller I/O-pin. If the Reset is driven by a push-pull output, an additional series resistor of 5k6 shall be inserted as shown in the figure, to allow an external programmer used for firmware upgrade to assert Reset low. In noisy surroundings and where Reset is not driven by a push-pull output, it is recommended that the connection 'A' below is pulled to VCC via one or more resistors where the equivalent pull-up resistor is close to 5k6



Document Revision History

Document Revision	Changes
1.0	First version
1.01	Updated chapter on power management Corrected buffer size to 128 bytes.
1.02	-Max packet length increased to 1024 bytes. -New address mode option for 4 byte addressing -UART number of bits and parity option added Product status updated to full production Changes harmonize to RC232 firmware revision 1.28
1.03	Updated section on Power supply / EMI bead with figure
1.04	Updated with RED assessment
1.05	Updated Mechanical drawing and height information. Please refer to Hardware PCN for revision history.
1.06	Clarified modulation format

Product Status and Definitions

Current Status	Data Sheet Identification	Product Status	Definition
	Advance Information	Planned or under development	This data sheet contains the design specifications for product development. Specifications may change in any manner without notice.
	Preliminary	Engineering Samples and First Production	This data sheet contains preliminary data, and supplementary data will be published at a later date. Radiocrafts reserves the right to make changes at any time without notice in order to improve design and supply the best possible product.
X	No Identification Noted	Full Production	This data sheet contains final specifications. Radiocrafts reserves the right to make changes at any time without notice in order to improve design and supply the best possible product.
	Obsolete	Not in Production	This data sheet contains specifications on a product that has been discontinued by Radiocrafts. The data sheet is printed for reference information only.

Disclaimer

Radiocrafts AS believes the information contained herein is correct and accurate at the time of this printing. However, Radiocrafts AS reserves the right to make changes to this product without notice. Radiocrafts AS does not assume any responsibility for the use of the described product; neither does it convey any license under its patent rights, or the rights of others. The latest updates are available at the Radiocrafts website or by contacting Radiocrafts directly.

As far as possible, major changes of product specifications and functionality, will be stated in product specific Errata Notes published at the Radiocrafts website. Customers are encouraged to check regularly for the most recent updates on products and support tools.

Trademarks

RC232™ is a trademark of Radiocrafts AS. The RC232™ Embedded RF Protocol is used in a range of products from Radiocrafts. The protocol handles host communication, data buffering, error check, addressing and broadcasting. It supports point-to-point, point-to-multipoint and peer-to-peer network topologies.

All other trademarks, registered trademarks and product names are the sole property of their respective owners.

Life Support Policy

This Radiocrafts product is not designed for use in life support appliances, devices, or other systems where malfunction can reasonably be expected to result in significant personal injury to the user, or as a critical component in any life support device or system whose failure to perform can be reasonably expected to cause the failure of the life support device or system, or to affect its safety or effectiveness. Radiocrafts AS customers using or selling these products for use in such applications do so at their own risk and agree to fully indemnify Radiocrafts AS for any damages resulting from any improper use or sale.

Radiocrafts Technical Support

Knowledge base:

<https://radiocrafts.com/knowledge-base/>

Application notes library:

<https://radiocrafts.com/resources/application-notes/>

Whitepapers:

<https://radiocrafts.com/resources/articles-white-papers/>

Technology overview:

<https://radiocrafts.com/technologies/>

RF Wireless Expert Training:

<https://radiocrafts.com/resources/rf-wireless-expert-training/>

Contact Radiocrafts

Sales requests: <https://radiocrafts.com/contact/>

© 2019, Radiocrafts AS. All rights reserved.