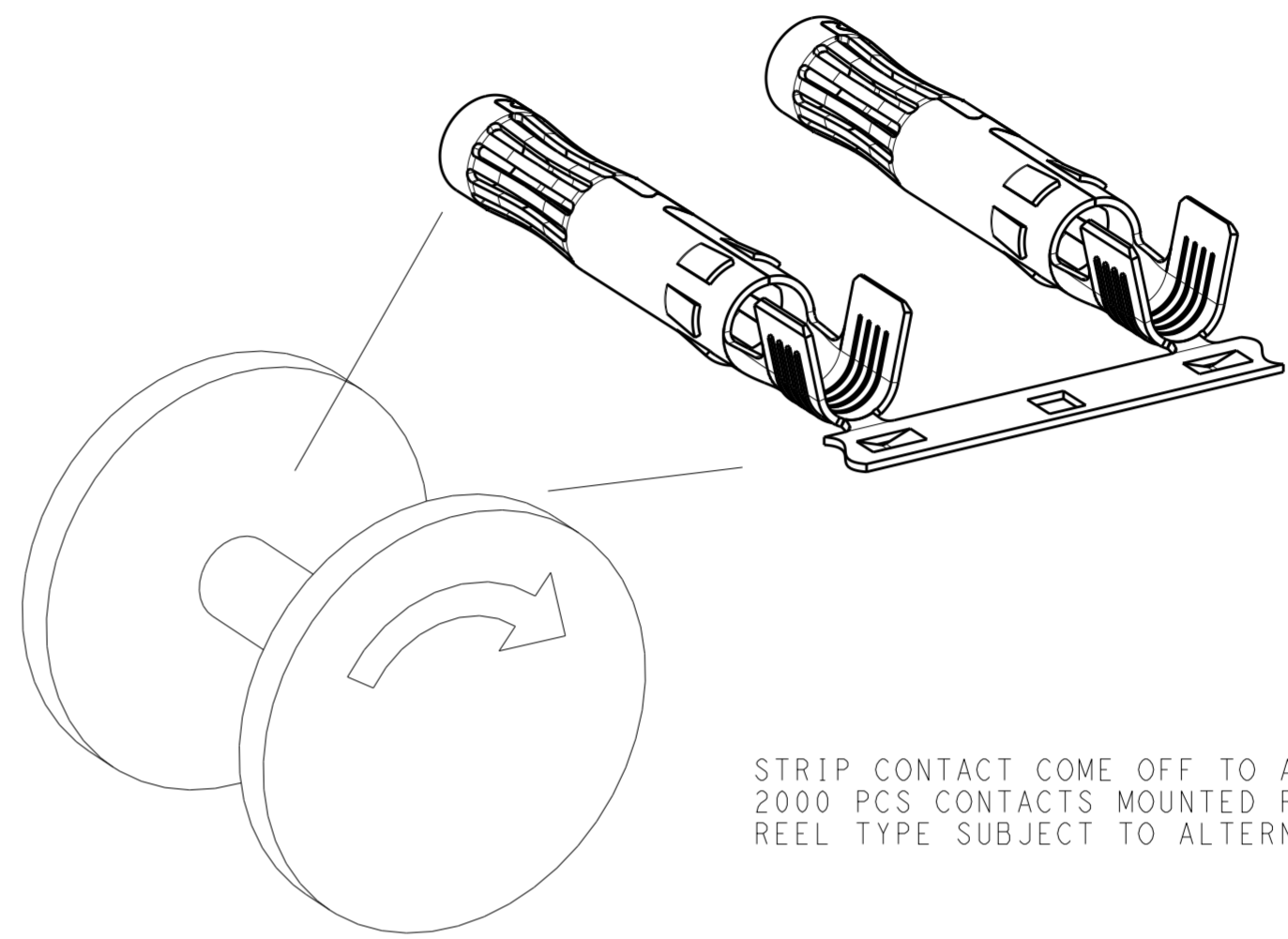
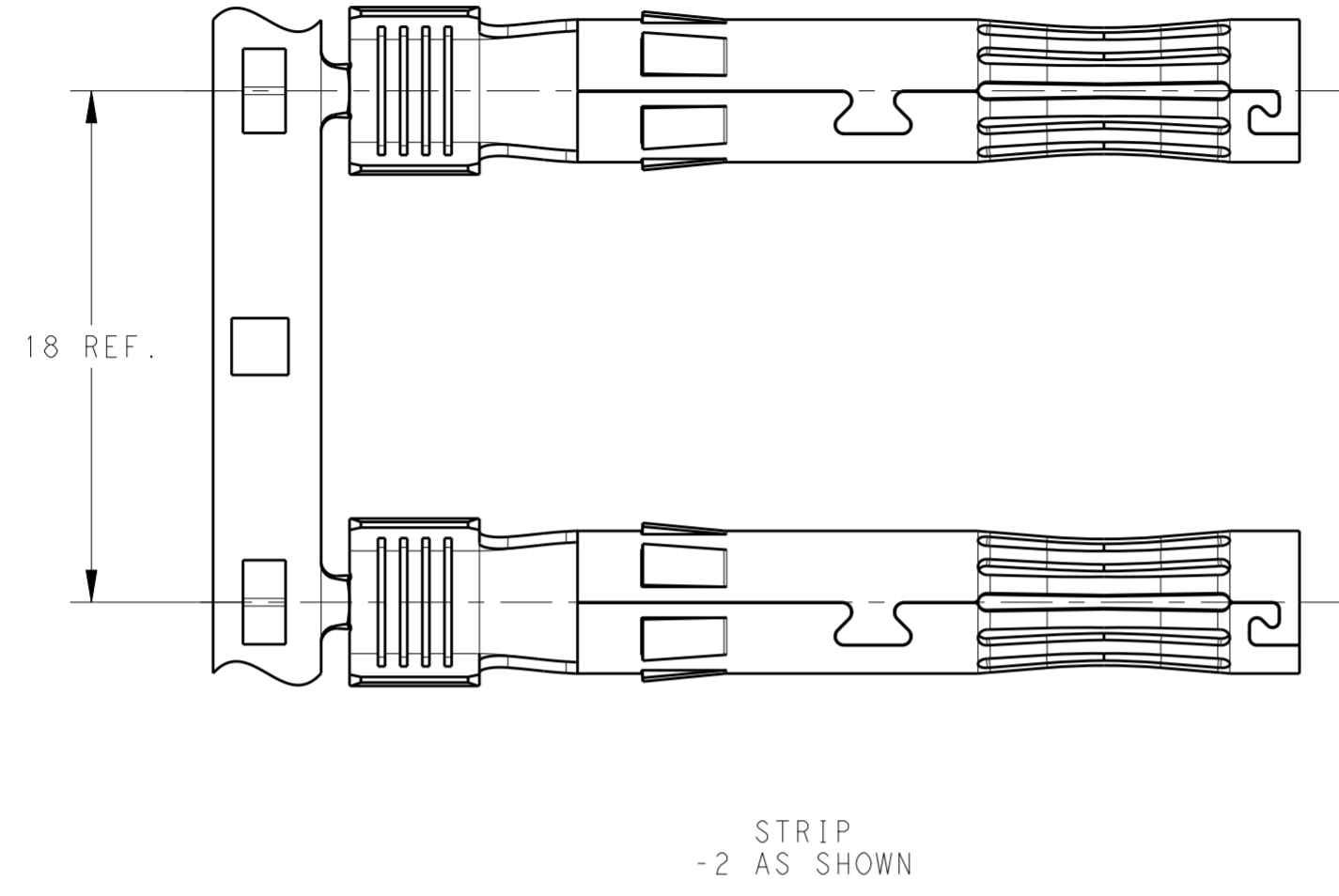
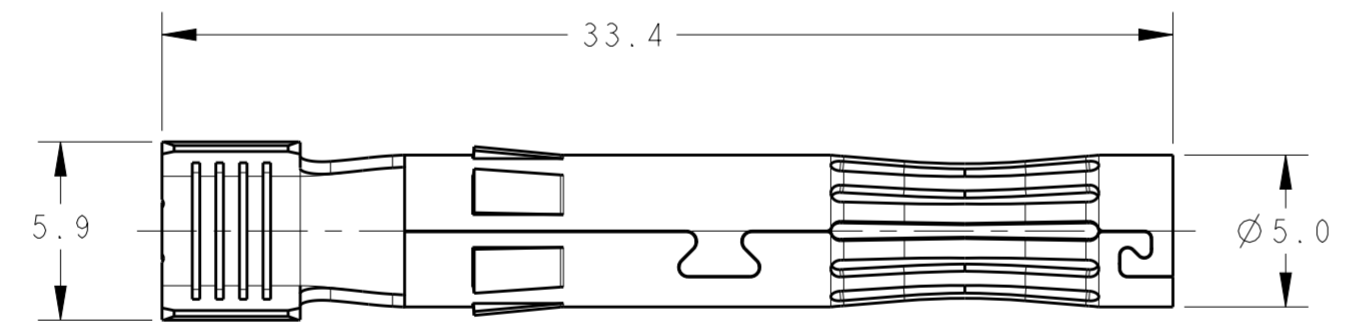


THIS DRAWING IS UNPUBLISHED. RELEASED FOR PUBLICATION 20
 © COPYRIGHT 20 TE CONNECTIVITY ALL RIGHTS RESERVED.

LOC	DIST	REVISIONS			
P	LTR	DESCRIPTION	DATE	DWN	APVD
	A2	ECR-13-013865	04SEP2013	LW	PY
	A3	ECR-14-015468	20OCT2014	LW	PY
	A4	ECR-15-005723	13APR2015	KR	TD
	B	ECR-17-009698	29AUG2017	SG	MS

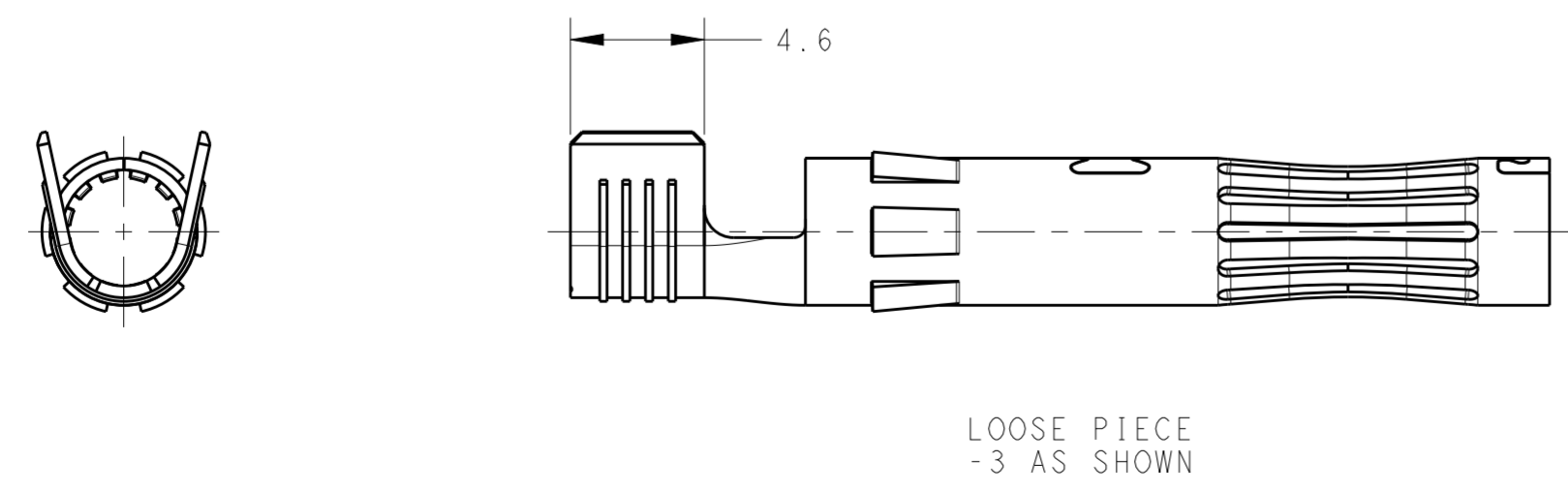


STRIP CONTACT COME OFF TO ASSEMBLY
 2000 PCS CONTACTS MOUNTED REEL
 REEL TYPE SUBJECT TO ALTERNATION



1. MATERIAL: COPPER ALLOY, TIN PLATED
2. USED FOR SOLAR CABLE: 4mm²/12AWG, 6mm²/10AWG.
3. PLS DON'T TOUCH THE CONTACT DIRECTLY BY HAND WITHOUT ANY PROTECTION.

⚠ USE ONLY CRIMPING TOOL OF TE CONNECTIVITY TO CRIMP CONTACT. CRIMPING TOOL PN 6-1579014-8 WILL BE USED FOR CRIMPING THE CONTACTS HAVING WIRE SIZE 4.0mm²+6.0mm².



LOOSE PIECE	1971858-6	1
	1971858-5	10
	1971858-4	100
	1971858-3	1000
STRIP	1971858-2	2000
CONTACT TYPE	PART NUMBER	PACKING UNIT
FOR ORDER		

THIS DRAWING IS A CONTROLLED DOCUMENT.		DWN CHRIS WANG 09AUG2012	STE TE Connectivity	
DIMENSIONS: mm		CHK TANDY TANG 09AUG2012		
TOLERANCES UNLESS OTHERWISE SPECIFIED:		APVD PETER YIN 09AUG2012	NAME SOCKET CONTACT SOLARLOK PV4 CONNECTOR	
0 PLC ±0.5		PRODUCT SPEC 108-106078	RESTRICTED TO	
1 PLC ±0.3		APPLICATION SPEC 114-106078	SIZE A2	CAGE CODE 00779
2 PLC ±		WEIGHT -	DRAWING NO C-1971858	REV B
3 PLC ±		MATERIAL COPPER ALLOY	SCALE 4:1	SHEET 1 OF 1
4 PLC ±		FINISH TIN	Customer Drawing	
ANGLES ±				
FINISH				