

# LXC60 series

## LED Power Supply

### Constant Current Power Supplies

LED Power  
60W

#### LED POWER

next generation power source

#### FEATURES

- High Efficiency (up to 91%)
- Constant Output Current
- Active PFC (Typical 0.99)
- IP67 Waterproof
- OVP, SCP
- -35 to 70°C deg operation
- Universal Input 90-305VAC
- UL8750 compliant
- EN61347-1, -2-13 compliant

The LXC60 series of constant current LED power supplies from Excelsys Technologies can deliver up to 60W of output power in an extremely compact package size.

The LXC60 series of constant current power supplies provides up to 5000mA of output current and 170V output voltage solutions for specific LED requirements. With industry leading efficiencies, and an extensive protection feature set, the LXC60 series provides high reliability and high performance in a compact package.

Model Number	Output Voltage	Output Current	Input Voltage	OVP Latching max	Efficiency
LXC60-0350SW	85-170V	350mA	90-305VAC	215V	91.0%
LXC60-0450SW	67-134V	450mA	90-305VAC	160V	91.0%
LXC60-0700SW	43-86V	700mA	90-305VAC	102V	91.0%
LXC60-1050SW	29-58V	1050mA	90-305VAC	70V	90.0%
LXC60-1400SW <sup>(3)</sup>	21-43V	1400mA	90-305VAC	55V	90.0%
LXC60-1700SW <sup>(3)</sup>	18-36V	1700mA	90-305VAC	45V	90.0%
LXC60-2300SW <sup>(3)</sup>	13-27V	2300mA	90-305VAC	38V	89.0%
LXC60-3300SW <sup>(3)</sup>	9-18V	3300mA	90-305VAC	25V	88.0%
LXC60-5000SW <sup>(3)</sup>	6-12V	5000mA	90-305VAC	17V	87.0%

#### Input Specifications

Parameter	Conditions/Description	Min	Nom	Max	Units
Input Voltage Range	Universal Input	90		305	VAC
Input Frequency Range		47		63	Hz
Input Current	100VAC in, 75W output			0.8	A
Inrush Current	230VAC in, 25°C, Cold Start			50	A
Power Factor	220VAC, 110VAC	0.96		0.99	

#### Output Specifications

Parameter	Conditions/Description	Min	Nom	Max	Units
Line Regulation				±1	%
Load Regulation				±3	%
Voltage Range	See table of outputs				
Output Current Range	% of Iout			±5	%
Ripple and Noise	20MHz Bandwidth. See Note 1			5.0	% pk-pk
Overshoot				10	%
Turn-on Delay	Measured at 220VAC and full load			0.6	s
Short Circuit Protection	Auto Recovery				
Over Voltage Protection	Latching. See individual models OVP levels				

#### General Specifications

Parameter	Conditions/Description	Min	Nom	Max	Units
Isolation Voltage	Input to Output See Note 2 Input to Chassis	3000 1500			VAC VAC
Efficiency	See individual models		90		%
Safety Agency Approvals	UL8750, EN61347-1, -2-13, UL1310 Note 3				
MTBF	MIL HDBK 217F, 110VAC Input, 80% load, 25°C		546,000		Hours
Lifetime	110VAC Input, 80% load, 45°C		80,000		Hours
Weight			750		g
Operating Temperature		-35		+70	°C
Storage Temperature		-40		+85	°C
Relative Humidity	Non-condensing (operating)	10		100	%RH

Note 1. Output connected in parallel with 0.1uF ceramic capacitor and 10uF electrolytic capacitor.

Note 2. Primary to Secondary Isolation test not to be carried out on power supply.

Note 3. UL1310 Class 2 outputs for US and Canada except LXC60-1400SW and LXC60-1700SW which are Class 2 in US only



#### Europe/Asia

Excelsys Technologies Ltd  
27 Eastgate Drive  
Eastgate Business Park  
Little Island, Cork, Ireland  
IRELAND

t: +353 21 4354716  
f: +353 21 4354864

e: sales@excelsys.com

#### North America

Excelsys Technologies  
519 Interstate 30, #309  
Rockwall, TX 75087  
USA

t: (972) 771 4544  
f: (972) 421 1805

e: salesusa@excelsys.com

EMC			
Parameter	Standard	Level	Units
<b>Emissions</b>			
Conducted	EN55015	Compliant	
Radiated	EN55015	Compliant	
Harmonic Distortion	EN61000-3-2	Compliant	
Flicker and Fluctuation	EN61000-3-3	Compliant	
<b>Immunity</b>			
ESD	EN61000-4-2	Level 4	
Radiated RFI	EN61000-4-3	Level 3	
Fast Transients - burst	EN61000-4-4	Level 4	
Surge Immunity	EN61000-4-5	Level 4	
Conducted RFI	EN61000-4-6	Compliant	
Power Freq Magnetic Field	EN61000-4-8	Compliant	
Voltage Dips	EN61000-4-11		

**INPUT / OUTPUT WIRING**

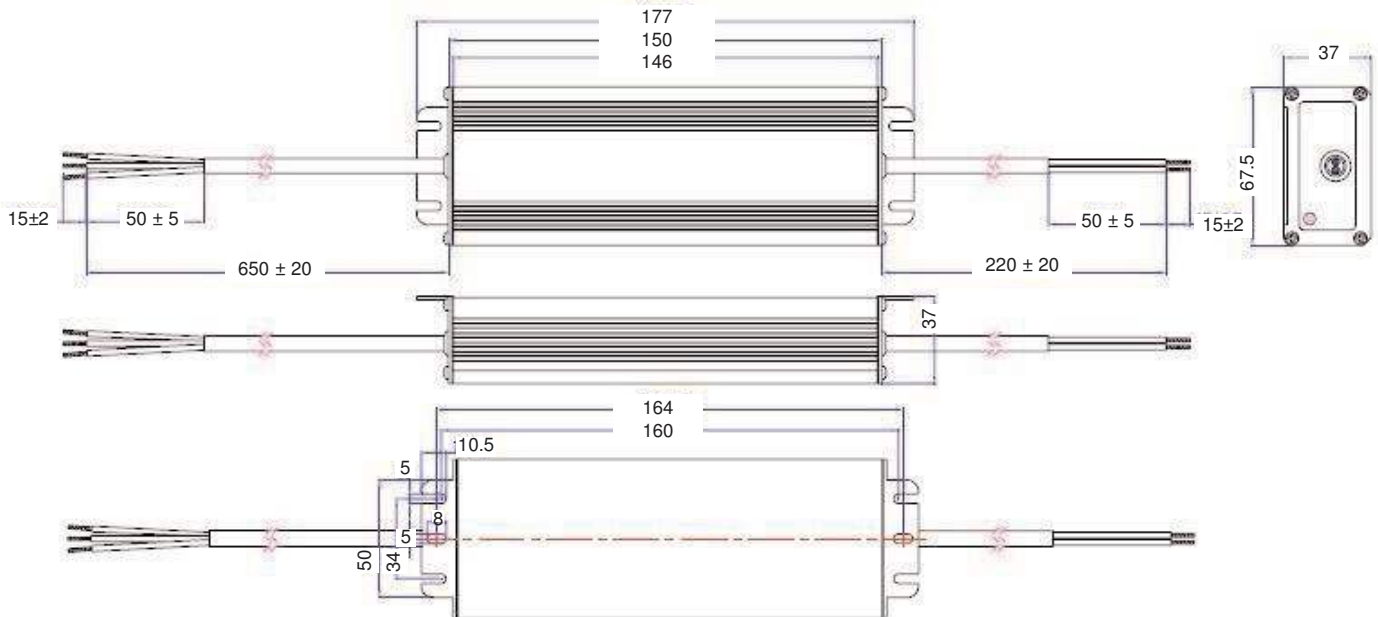
**INPUT CABLE**

SJTW 18AWG 3C  
Black (L), White(N), Green (G) 650±20mm

**OUTPUT CABLE**

SJTW 18AWG 2C  
Black (-V) and Red (+V) 220±20mm

**MECHANICAL SPECIFICATIONS**



Specifications are subject to change without notice

LXC60 Datasheet 28 April 2011



<b>Europe/Asia</b>		<b>North America</b>	
Excelsys Technologies Ltd	t: +353 21 4354716	Excelsys Technologies	t: (972) 771 4544
27 Eastgate Drive	f: +353 21 4354864	519 Interstate 30, #309	f: (972) 421 1805
Eastgate Business Park	e: sales@excelsys.com	Rockwall, TX 75087	e: salesusa@excelsys.com
Little Island, Cork, Ireland		USA	
IRELAND			