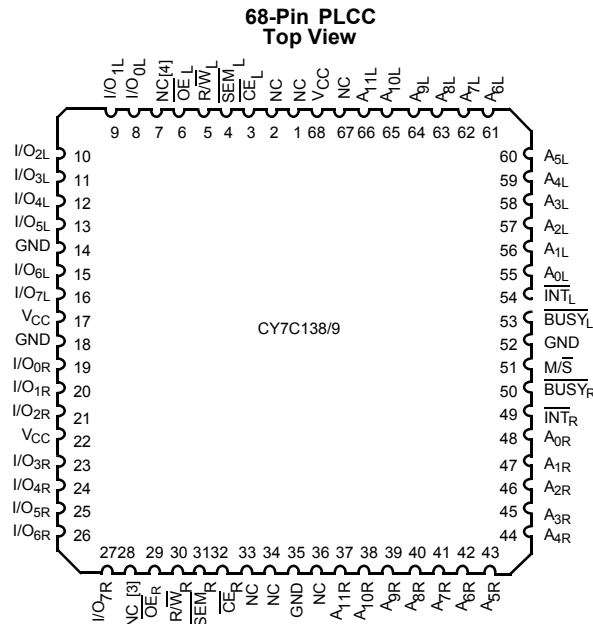


Pin Configurations

Pin Definitions

| Left Port | Right Port | Description |
|---------------------------|---------------------------|--|
| I/O _{0L} –7L(8L) | I/O _{0R} –7R(8R) | Data Bus Input/Output |
| A _{0L} –11L | A _{0R} –11R | Address Lines |
| CE _L | CE _R | Chip Enable |
| OE _L | OE _R | Output Enable |
| R/W _L | R/W _R | Read/Write Enable |
| SEM _L | SEM _R | Semaphore Enable. When asserted LOW, allows access to eight semaphores. The three least significant bits of the address lines will determine which semaphore to write or read. The I/O ₀ pin is used when writing to a semaphore. Semaphores are requested by writing a 0 into the respective location. |
| INT _L | INT _R | Interrupt Flag. INT _L is set when right port writes location FFE and is cleared when left port reads location FFE. INT _R is set when left port writes location FFF and is cleared when right port reads location FFF. |
| BUSY _L | BUSY _R | Busy Flag |
| M/S | | Master or Slave Select |
| V _{CC} | | Power |
| GND | | Ground |

Selection Guide

| | | 7C138-15 7C139-15 | 7C138-25 7C139-25 | 7C138-35 7C139-35 | 7C138-55 7C139-55 | Unit |
|--|------------|----------------------|----------------------|----------------------|----------------------|------|
| Maximum Access Time (ns) | | 15 | 25 | 35 | 55 | ns |
| Maximum Operating Current | Commercial | 220 | 180 | 160 | 160 | mA |
| Maximum Standby Current for I _{SB1} | Commercial | 60 | 40 | 30 | 30 | mA |

Notes:

3. I/O_{8R} on the CY7C139.
4. I/O_{8L} on the CY7C139.



Maximum Ratings^[5]

(Above which the useful life may be impaired. For user guidelines, not tested.)

- Storage Temperature -65°C to +150°C
- Ambient Temperature with Power Applied..... -55°C to +125°C
- Supply Voltage to Ground Potential -0.5V to +7.0V
- DC Voltage Applied to Outputs in High Z State -0.5V to +7.0V
- DC Input Voltage^[6]..... -0.5V to +7.0V

- Output Current into Outputs (LOW)..... 20 mA
- Static Discharge Voltage..... >2001V (per MIL-STD-883, Method 3015)
- Latch-Up Current..... >200 mA

Operating Range

| Range | Ambient Temperature | V _{CC} |
|------------|---------------------|-----------------|
| Commercial | 0°C to +70°C | 5V ± 10% |
| Industrial | -40°C to +85°C | 5V ± 10% |

Electrical Characteristics Over the Operating Range

| Parameter | Description | Test Conditions | 7C138-15 7C139-15 | | 7C138-25 7C139-25 | | Unit |
|------------------|---|--|----------------------|------|----------------------|------|------|
| | | | Min. | Max. | Min. | Max. | |
| V _{OH} | Output HIGH Voltage | V _{CC} = Min., I _{OH} = -4.0 mA | 2.4 | | 2.4 | | V |
| V _{OL} | Output LOW Voltage | V _{CC} = Min., I _{OL} = 4.0 mA | | 0.4 | | 0.4 | V |
| V _{IH} | | | 2.2 | | 2.2 | | V |
| V _{IL} | Input LOW Voltage | | | 0.8 | | 0.8 | V |
| I _{IX} | Input Leakage Current | GND ≤ V _I ≤ V _{CC} | -10 | +10 | -10 | +10 | μA |
| I _{OZ} | Output Leakage Current | Output Disabled, GND ≤ V _O ≤ V _{CC} | -10 | +10 | -10 | +10 | μA |
| I _{CC} | Operating Current | V _{CC} = Max., I _{OUT} = 0 mA, Outputs Disabled | Com'l | 220 | | 180 | mA |
| | | | Ind | | | 190 | |
| I _{SB1} | Standby Current (Both Ports TTL Levels) | CE _L and CE _R ≥ V _{IH} , f = f _{MAX} ^[7] | Com'l | 60 | | 40 | mA |
| | | | Ind | | | 50 | |
| I _{SB2} | Standby Current (One Port TTL Level) | CE _L and CE _R ≥ V _{IH} , f = f _{MAX} ^[7] | Com'l | 130 | | 110 | mA |
| | | | Ind | | | 120 | |
| I _{SB3} | Standby Current (Both Ports CMOS Levels) | Both Ports CE and CE _R ≥ V _{CC} - 0.2V, V _{IN} ≥ V _{CC} - 0.2V or V _{IN} ≤ 0.2V, f = 0 ^[7] | Com'l | 15 | | 15 | mA |
| | | | Ind | | | 30 | |
| I _{SB4} | Standby Current (One Port CMOS Level) | One Port CE _L or CE _R ≥ V _{CC} - 0.2V, V _{IN} ≥ V _{CC} - 0.2V or V _{IN} ≤ 0.2V, Active Port Outputs, f = f _{MAX} ^[7] | Com'l | 125 | | 100 | mA |
| | | | Ind | | | 115 | |

Notes:

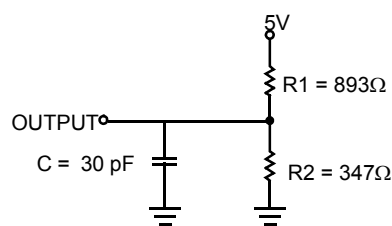
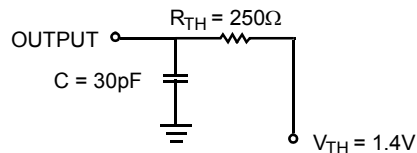
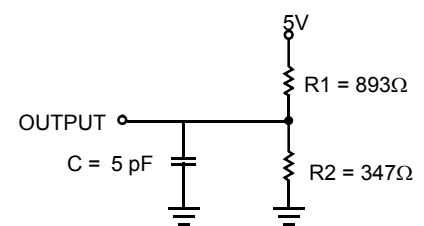
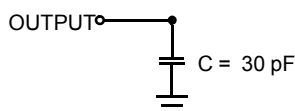
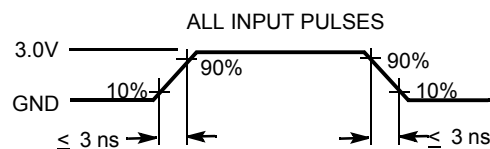
5. The Voltage on any input or I/O pin cannot exceed the power pin during power-up.
6. Pulse width < 20 ns.
7. f_{MAX} = 1/t_{RC} = All inputs cycling at f = 1/t_{RC} (except output enable). f = 0 means no address or control lines change. This applies only to inputs at CMOS level standby I_{SB3}.

Electrical Characteristics Over the Operating Range (continued)

| Parameter | Description | Test Conditions | 7C138-35 7C139-35 | | 7C138-55 7C139-55 | | Unit |
|------------------|---|--|----------------------|------|----------------------|------|------|
| | | | Min. | Max. | Min. | Max. | |
| V _{OH} | Output HIGH Voltage | V _{CC} = Min., I _{OH} = -4.0 mA | 2.4 | | 2.4 | | V |
| V _{OL} | Output LOW Voltage | V _{CC} = Min., I _{OL} = 4.0 mA | | 0.4 | | 0.4 | V |
| V _{IH} | | | 2.2 | | 2.2 | | V |
| V _{IL} | Input LOW Voltage | | | 0.8 | | 0.8 | V |
| I _{IX} | Input Leakage Current | GND ≤ V _I ≤ V _{CC} | -10 | +10 | -10 | +10 | μA |
| I _{OZ} | Output Leakage Current | Output Disabled, GND ≤ V _O ≤ V _{CC} | -10 | +10 | -10 | +10 | μA |
| I _{CC} | Operating Current | V _{CC} = Max., I _{OUT} = 0 mA, Outputs Disabled | Com'l | 160 | | 160 | mA |
| | | | Ind | 180 | | 180 | |
| I _{SB1} | Standby Current (Both Ports TTL Levels) | CE _L and CE _R ≥ V _{IH} , f = f _{MAX} ^[7] | Com'l | 30 | | 30 | mA |
| | | | Ind | 40 | | 40 | |
| I _{SB2} | Standby Current (One Port TTL Level) | CE _L and CE _R ≥ V _{IH} , f = f _{MAX} ^[7] | Com'l | 100 | | 100 | mA |
| | | | Ind | 110 | | 110 | |
| I _{SB3} | Standby Current (Both Ports CMOS Levels) | Both Ports CE and CE _R ≥ V _{CC} - 0.2V, V _{IN} ≥ V _{CC} - 0.2V or V _{IN} ≤ 0.2V, f = 0 ^[7] | Com'l | 15 | | 15 | mA |
| | | | Ind | 30 | | 30 | |
| I _{SB4} | Standby Current (One Port CMOS Level) | One Port CE _L or CE _R ≥ V _{CC} - 0.2V, V _{IN} ≥ V _{CC} - 0.2V or V _{IN} ≤ 0.2V, Active Port Outputs, f = f _{MAX} ^[7] | Com'l | 90 | | 90 | mA |
| | | | Ind | 100 | | 100 | |

Capacitance^[8]

| Parameter | Description | Test Conditions | Max. | Unit |
|------------------|--------------------|-----------------------------------|------|------|
| C _{IN} | Input Capacitance | T _A = 25°C, f = 1 MHz, | 10 | pF |
| C _{OUT} | Output Capacitance | V _{CC} = 5.0V | | |

AC Test Loads and Waveforms

(a) Normal Load (Load 1)

(b) Thévenin Equivalent (Load 1)

(c) Three-State Delay (Load 3)

Load (Load 2)

Note:

8. Tested initially and after any design or process changes that may affect these parameters.

Switching Characteristics Over the Operating Range^[9]

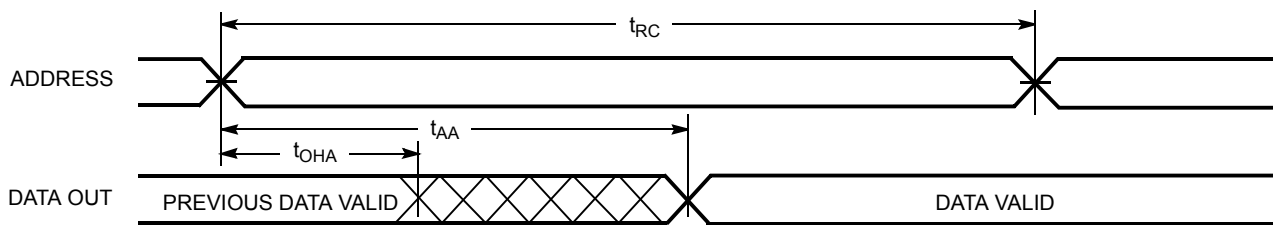
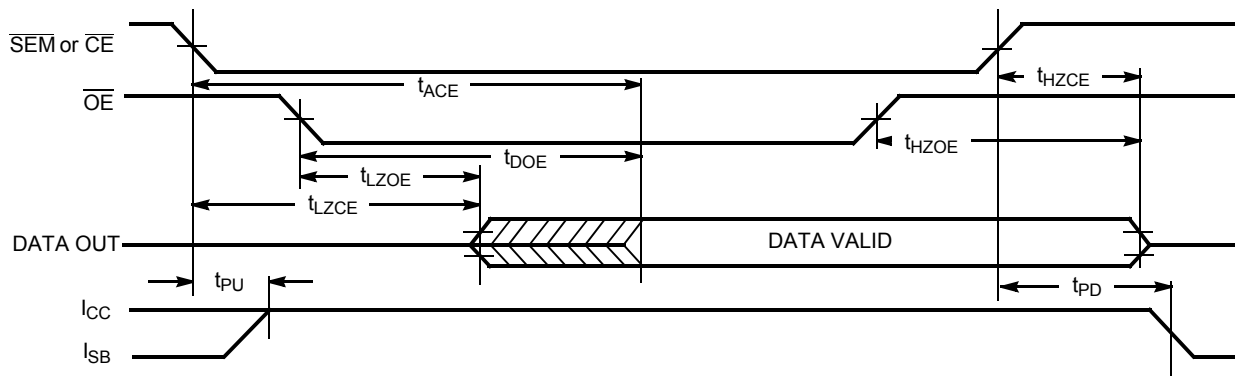
| Parameter | Description | 7C138-15 7C139-15 | | 7C138-25 7C139-25 | | 7C138-35 7C139-35 | | 7C138-55 7C139-55 | | Unit |
|------------------------------------|--|----------------------|---------|----------------------|---------|----------------------|---------|----------------------|---------|------|
| | | Min. | Max. | Min. | Max. | Min. | Max. | Min. | Max. | |
| READ CYCLE | | | | | | | | | | |
| t_{RC} | Read Cycle Time | 15 | | 25 | | 35 | | 55 | | ns |
| t_{AA} | Address to Data Valid | | 15 | | 25 | | 35 | | 55 | ns |
| t_{OHA} | Output Hold From Address Change | 3 | | 3 | | 3 | | 3 | | ns |
| t_{ACE} | \overline{CE} LOW to Data Valid | | 15 | | 25 | | 35 | | 55 | ns |
| t_{DOE} | \overline{OE} LOW to Data Valid | | 10 | | 15 | | 20 | | 25 | ns |
| t_{LZOE} ^[10,11,12] | \overline{OE} Low to Low Z | 3 | | 3 | | 3 | | 3 | | ns |
| t_{HZOE} ^[10,11,12] | \overline{OE} HIGH to High Z | | 10 | | 15 | | 20 | | 25 | ns |
| t_{LZCE} ^[10,11,12] | \overline{CE} LOW to Low Z | 3 | | 3 | | 3 | | 3 | | ns |
| t_{HZCE} ^[10,11,12] | \overline{CE} HIGH to High Z | | 10 | | 15 | | 20 | | 25 | ns |
| t_{PU} ^[12] | \overline{CE} LOW to Power-Up | 0 | | 0 | | 0 | | 0 | | ns |
| t_{PD} ^[12] | \overline{CE} HIGH to Power-Down | | 15 | | 25 | | 35 | | 55 | ns |
| WRITE CYCLE | | | | | | | | | | |
| t_{WC} | Write Cycle Time | 15 | | 25 | | 35 | | 55 | | ns |
| t_{SCE} | \overline{CE} LOW to Write End | 12 | | 20 | | 30 | | 40 | | ns |
| t_{AW} | Address Set-Up to Write End | 12 | | 20 | | 30 | | 40 | | ns |
| t_{HA} | Address Hold From Write End | 2 | | 2 | | 2 | | 2 | | ns |
| t_{SA} | Address Set-Up to Write Start | 0 | | 0 | | 0 | | 0 | | ns |
| t_{PWE} | Write Pulse Width | 12 | | 20 | | 25 | | 30 | | ns |
| t_{SD} | Data Set-Up to Write End | 10 | | 15 | | 15 | | 20 | | ns |
| t_{HD} | Data Hold From Write End | 0 | | 0 | | 0 | | 0 | | ns |
| t_{HZWE} ^[11,12] | R/W LOW to High Z | | 10 | | 15 | | 20 | | 25 | ns |
| t_{LZWE} ^[11,12] | R/W HIGH to Low Z | 3 | | 3 | | 3 | | 3 | | ns |
| t_{WDD} ^[13] | Write Pulse to Data Delay | | 30 | | 50 | | 60 | | 70 | ns |
| t_{DDD} ^[13] | Write Data Valid to Read Data Valid | | 25 | | 30 | | 35 | | 40 | ns |
| BUSY TIMING ^[14] | | | | | | | | | | |
| t_{BLA} | \overline{BUSY} LOW from Address Match | | 15 | | 20 | | 20 | | 45 | ns |
| t_{BHA} | \overline{BUSY} HIGH from Address Mismatch | | 15 | | 20 | | 20 | | 40 | ns |
| t_{BLC} | \overline{BUSY} LOW from \overline{CE} LOW | | 15 | | 20 | | 20 | | 40 | ns |
| t_{BHC} | \overline{BUSY} HIGH from \overline{CE} HIGH | | 15 | | 20 | | 20 | | 35 | ns |
| t_{PS} | Port Set-Up for Priority | 5 | | 5 | | 5 | | 5 | | ns |
| t_{WB} | R/W LOW after \overline{BUSY} LOW | 0 | | 0 | | 0 | | 0 | | ns |
| t_{WH} | R/W HIGH after \overline{BUSY} HIGH | 13 | | 20 | | 30 | | 40 | | ns |
| t_{BDD} ^[15] | \overline{BUSY} HIGH to Data Valid | | Note 15 | | Note 15 | | Note 15 | | Note 15 | ns |

Notes:

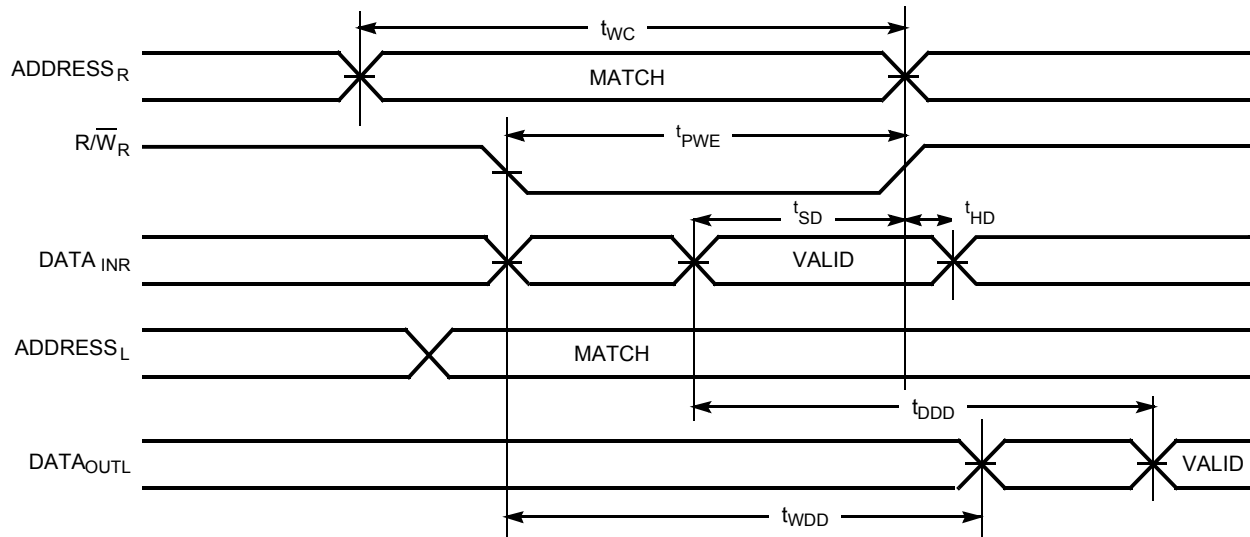
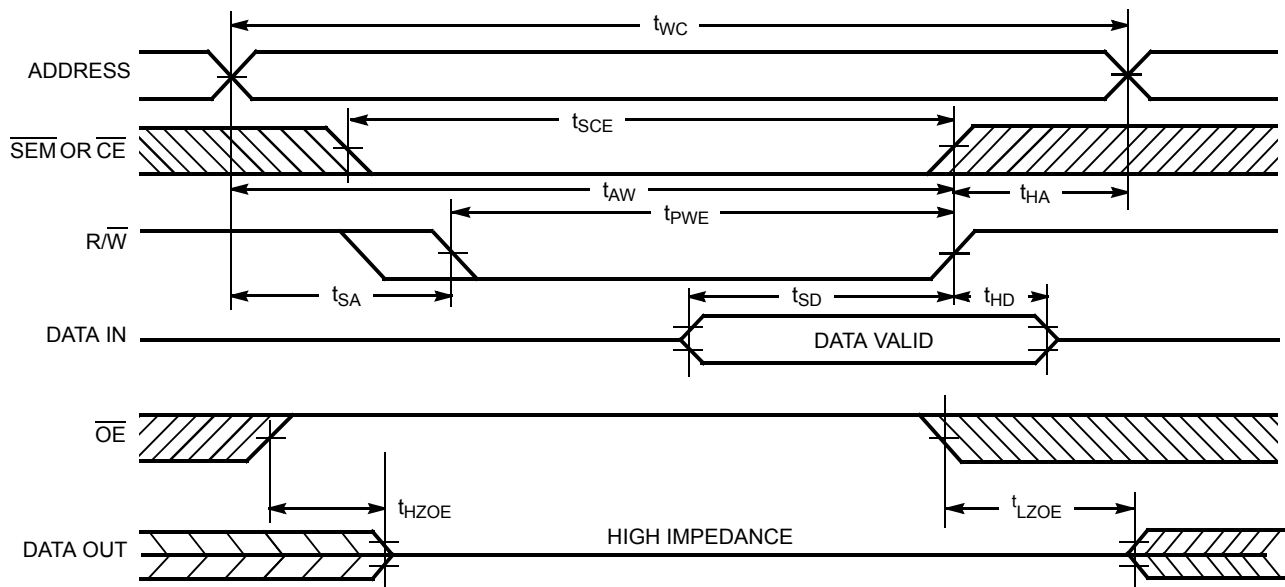
9. Test conditions assume signal transition time of 3 ns or less, timing reference levels of 1.5V, input pulse levels of 0 to 3.0V, and output loading of the specified I_{OL}/I_{OH} and 30-pF load capacitance.
10. At any given temperature and voltage condition for any given device, t_{HZCE} is less than t_{LZCE} and t_{HZOE} is less than t_{LZOE} .
11. Test conditions used are Load 3.
12. This parameter is guaranteed but not tested.
13. For information on part-to-part delay through RAM cells from writing port to reading port, refer to Read Timing with Port-to-Port Delay waveform.
14. Test conditions used are Load 2.
15. t_{BDD} is a calculated parameter and is the greater of $t_{WDD} - t_{PWE}$ (actual) or $t_{DDD} - t_{SD}$ (actual).

Switching Characteristics Over the Operating Range^[9] (continued)

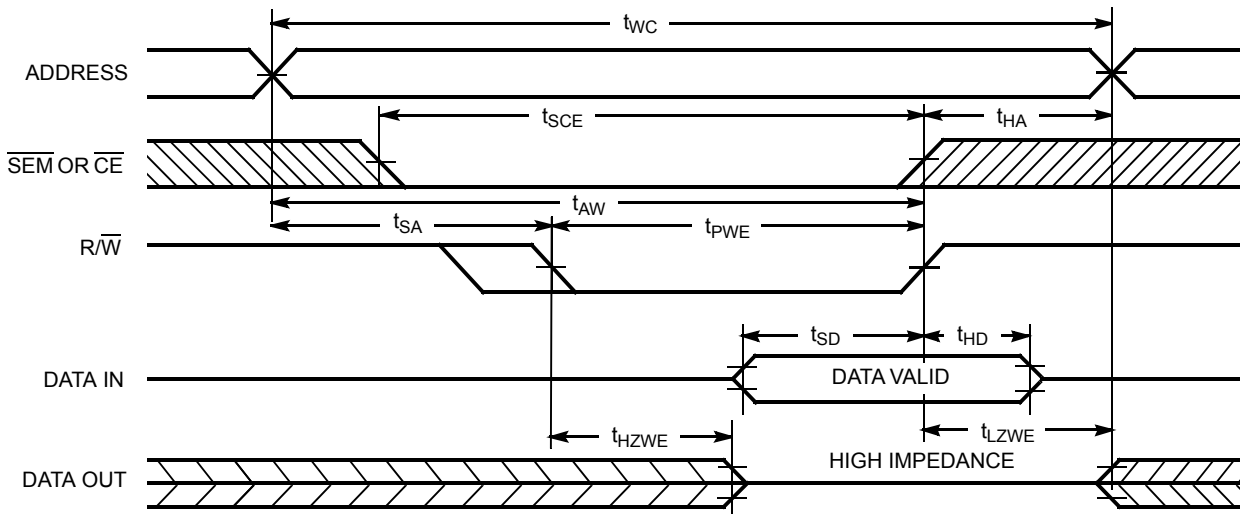
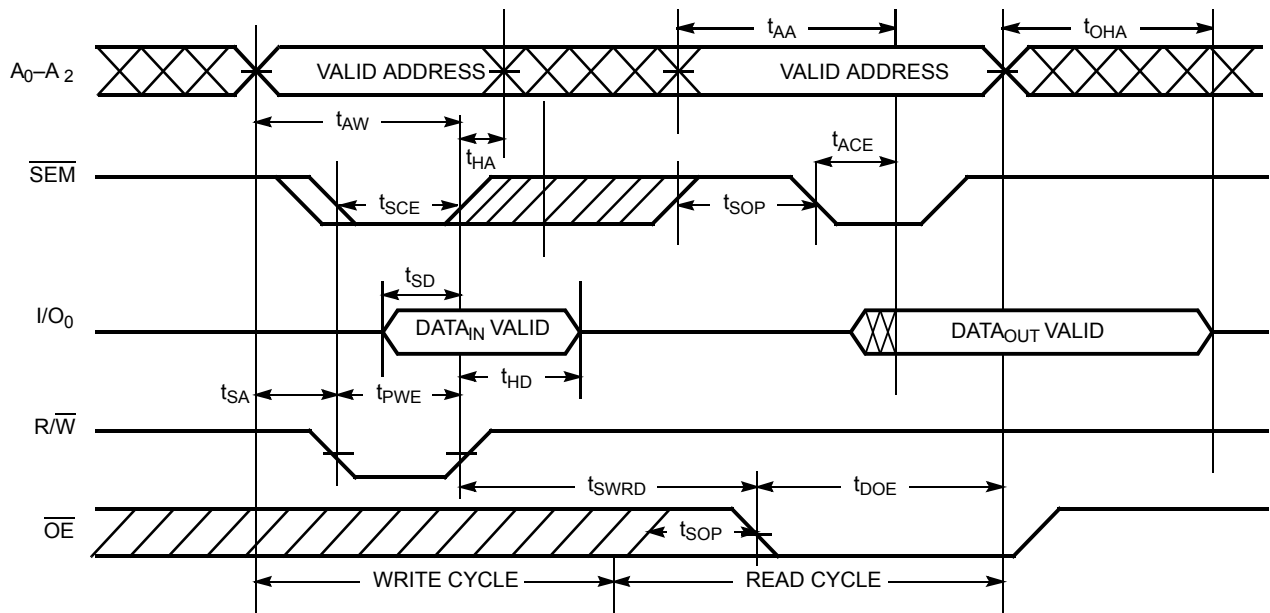
| Parameter | Description | 7C138-15 7C139-15 | | 7C138-25 7C139-25 | | 7C138-35 7C139-35 | | 7C138-55 7C139-55 | | Unit |
|--|---|----------------------|------|----------------------|------|----------------------|------|----------------------|------|------|
| | | Min. | Max. | Min. | Max. | Min. | Max. | Min. | Max. | |
| INTERRUPT TIMING^[14] | | | | | | | | | | |
| t_{INS} | INT Set Time | | 15 | | 25 | | 25 | | 30 | ns |
| t_{INR} | INT Reset Time | | 15 | | 25 | | 25 | | 30 | ns |
| SEMAPHORE TIMING | | | | | | | | | | |
| t_{SOP} | SEM Flag Update Pulse (\overline{OE} or \overline{SEM}) | 10 | | 10 | | 15 | | 20 | | ns |
| t_{SWRD} | SEM Flag Write to Read Time | 5 | | 5 | | 5 | | 5 | | ns |
| t_{SPS} | SEM Flag Contention Window | 5 | | 5 | | 5 | | 5 | | ns |

Switching Waveforms
Read Cycle No. 1 (Either Port Address Access)^[16, 17]

Read Cycle No. 2 (Either Port $\overline{CE}/\overline{OE}$ Access)^[16, 18, 19]

Notes:

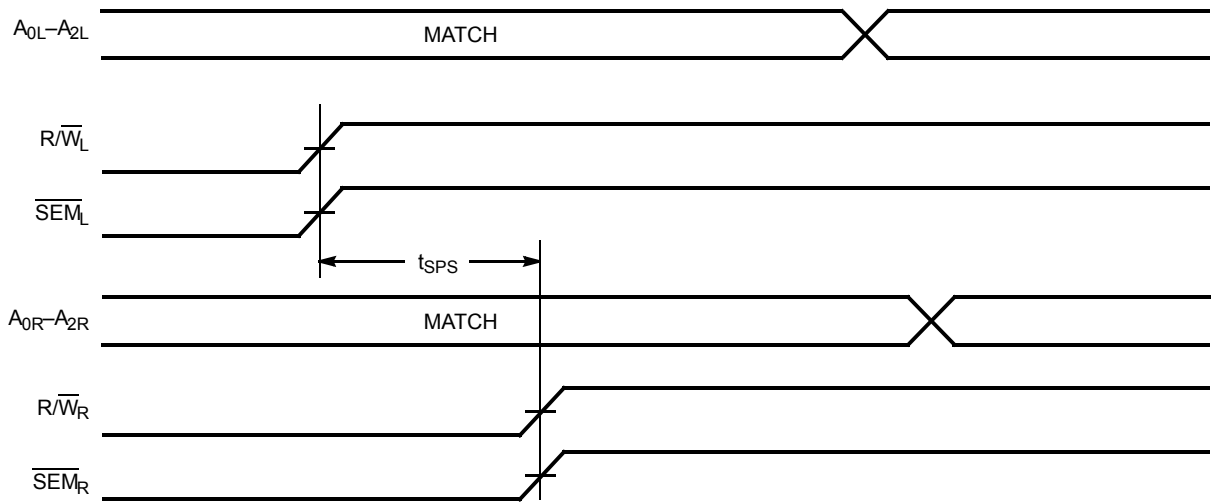
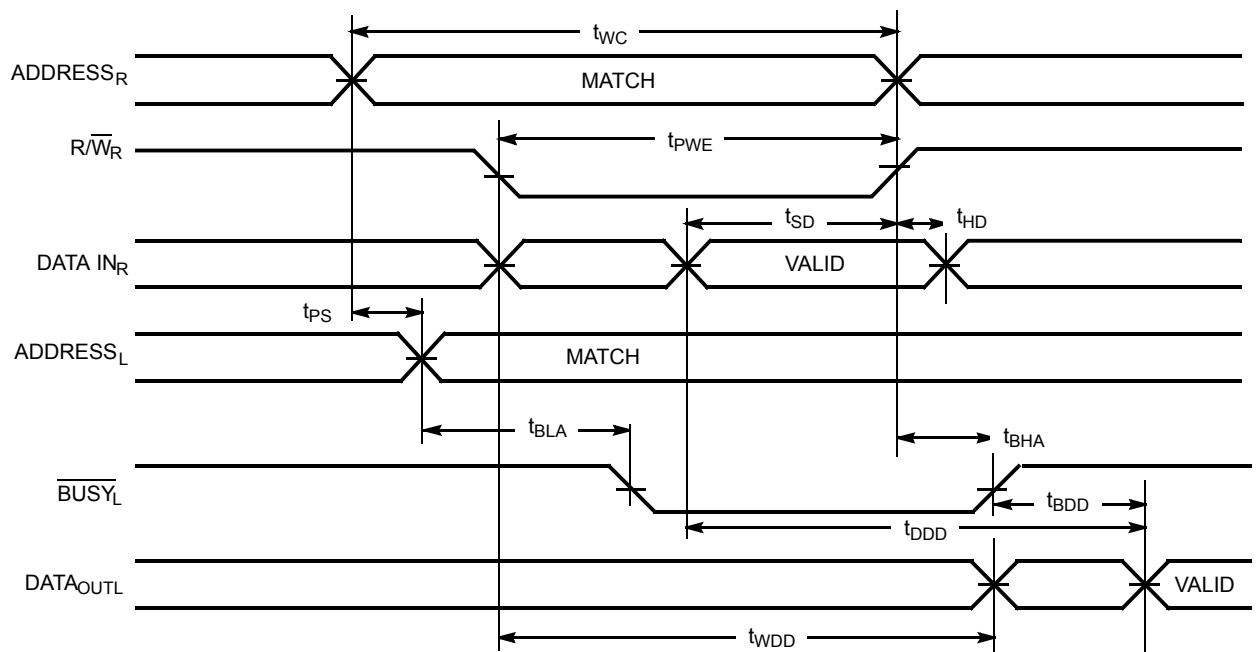
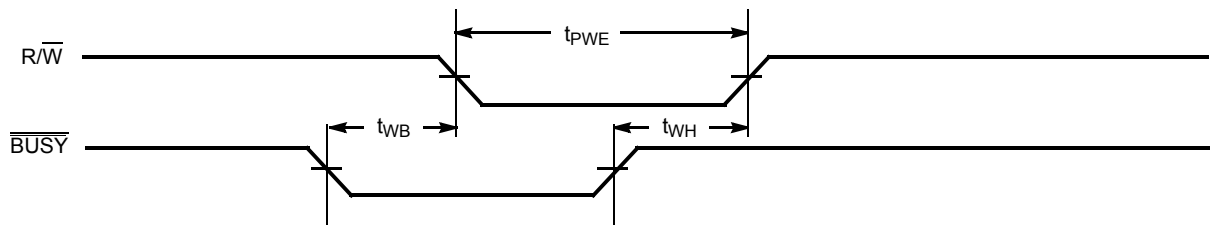
16. R/W is HIGH for read cycle.
17. Device is continuously selected $\overline{CE} = \text{LOW}$ and $\overline{OE} = \text{LOW}$. This waveform cannot be used for semaphore reads.
18. Address valid prior to or coincident with \overline{CE} transition LOW.
19. $\overline{CE}_L = \text{L}$, $\overline{SEM} = \text{H}$ when accessing RAM. $\overline{CE} = \text{H}$, $\overline{SEM} = \text{L}$ when accessing semaphores.

Switching Waveforms (continued)
Read Timing with Port-to-Port Delay ($M/\bar{S} = L$)^[20, 21]

Write Cycle No. 1: \bar{OE} Three-States Data I/Os (Either Port)^[22, 23, 24]

Notes:

20. $\bar{BUSY} = \text{HIGH}$ for the writing port.
21. $\bar{CE}_L = \bar{CE}_R = \text{LOW}$.
22. The internal write time of the memory is defined by the overlap of \bar{CE} or \bar{SEM} LOW and \bar{R}/\bar{W} LOW. Both signals must be LOW to initiate a write, and either signal can terminate a write by going HIGH. The data input set-up and hold timing should be referenced to the rising edge of the signal that terminates the write.
23. If \bar{OE} is LOW during a \bar{R}/\bar{W} controlled write cycle, the write pulse width must be the larger of t_{PWE} or $(t_{HZWE} + t_{SD})$ to allow the I/O drivers to turn off and data to be placed on the bus for the required t_{SD} . If \bar{OE} is HIGH during a \bar{R}/\bar{W} controlled write cycle (as in this example), this requirement does not apply and the write pulse can be as short as the specified t_{PWE} .
24. \bar{R}/\bar{W} must be HIGH during all address transitions.

Switching Waveforms (continued)
Write Cycle No. 2: R/W Three-States Data I/Os (Either Port)^[22, 24, 25]

Semaphore Read After Write Timing, Either Side^[26]

Notes:

25. Data I/O pins enter high impedance when \overline{OE} is held LOW during write.
 26. \overline{CE} = HIGH for the duration of the above timing (both write and read cycle).

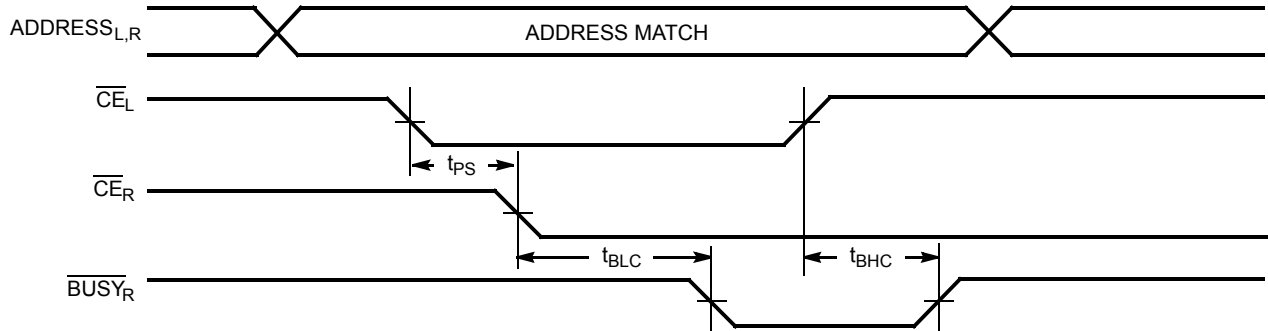
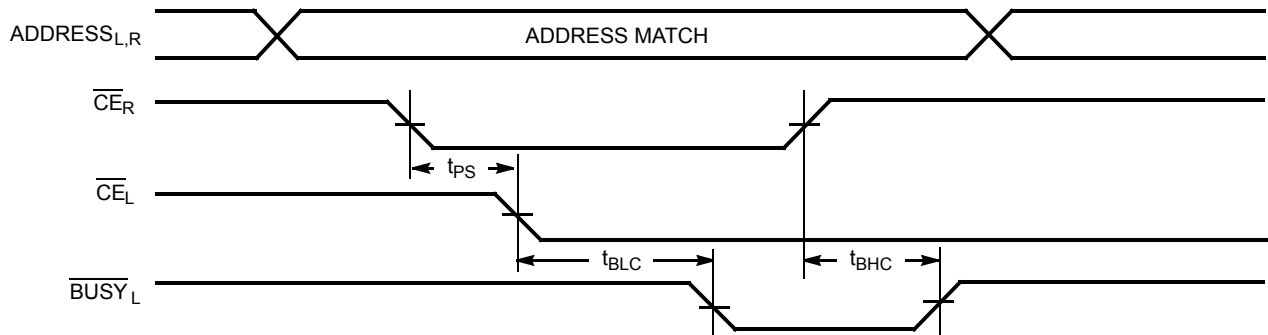
Switching Waveforms (continued)
Timing Diagram of Semaphore Contention^[27, 28, 29]

Timing Diagram of Read with \overline{BUSY} ($M/\overline{S} = \text{HIGH}$)^[21]

Write Timing with Busy Input ($M/\overline{S} = \text{LOW}$)

Notes:

27. $I/O_{0R} = I/O_{0L} = \text{LOW}$ (request semaphore); $\overline{CE}_R = \overline{CE}_L = \text{HIGH}$

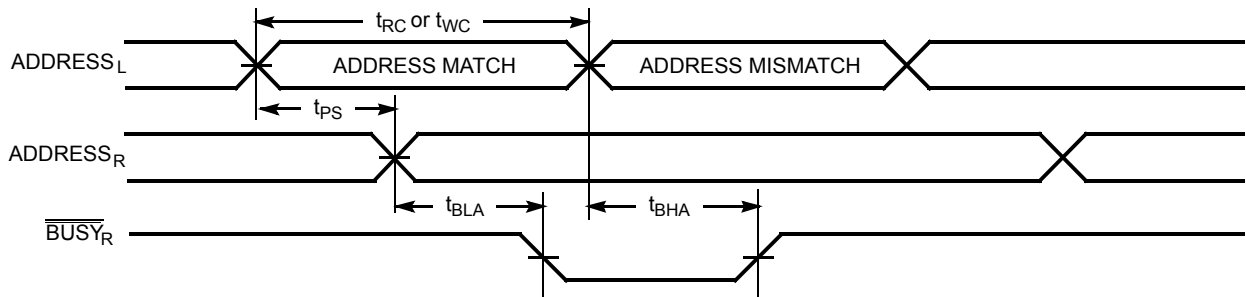
28. Semaphores are reset (available to both ports) at cycle start.

29. If t_{SPS} is violated, the semaphore will definitely be obtained by one side or the other, but there is no guarantee which side will control the semaphore.

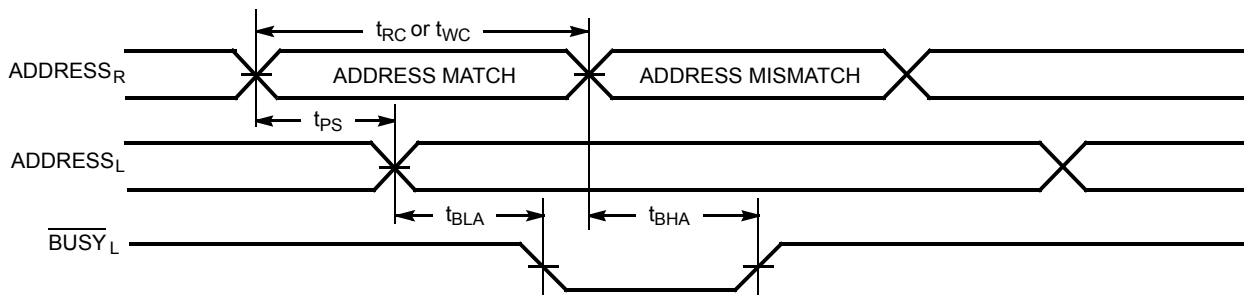
Switching Waveforms (continued)

Busy Timing Diagram No. 1 (\overline{CE} Arbitration)^[30]
 \overline{CE}_L Valid First:

 \overline{CE}_R Valid First:

Busy Timing Diagram No. 2 (Address Arbitration)^[30]

Left Address Valid First:



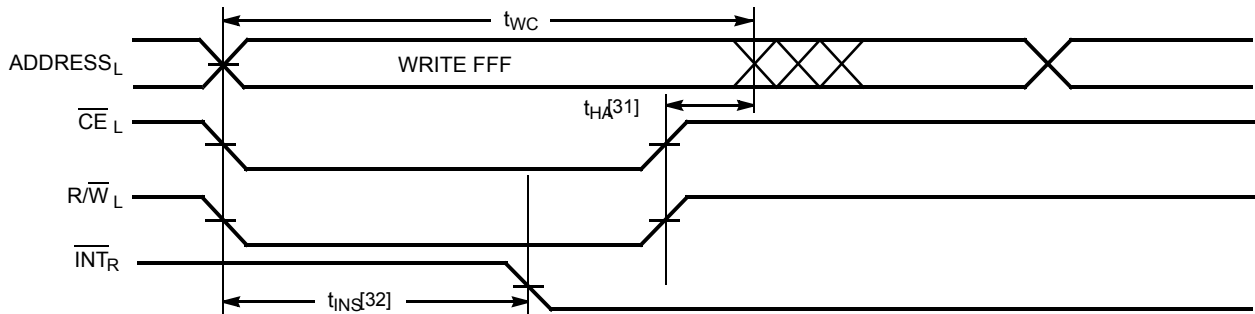
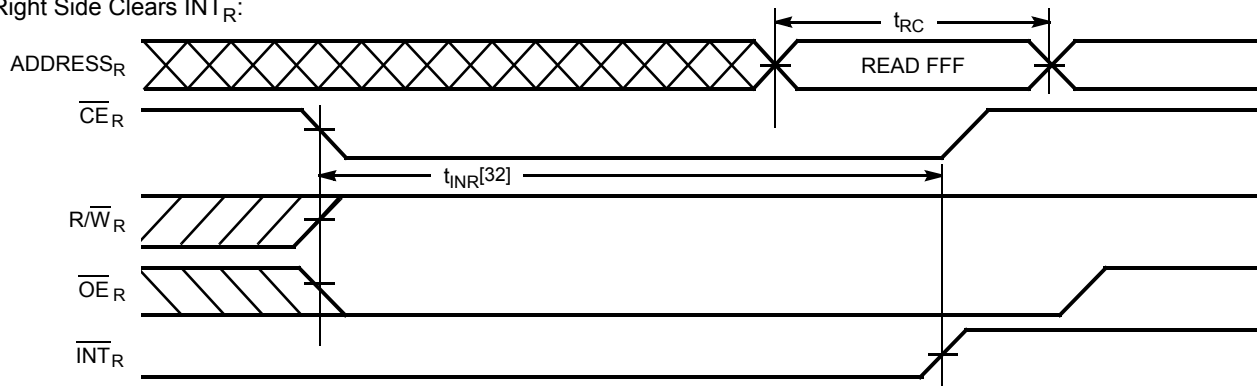
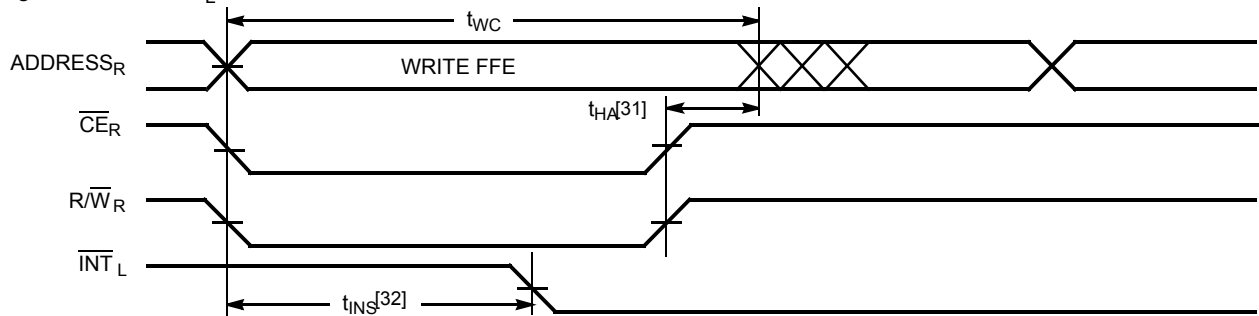
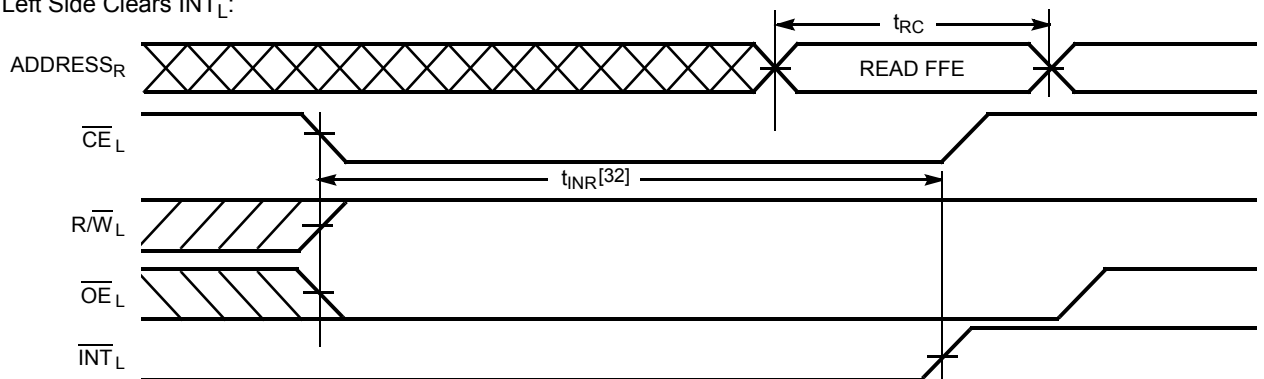
Right Address Valid First:


Note:

 30. If t_{PS} is violated, the busy signal will be asserted on one side or the other, but there is no guarantee on which side \overline{BUSY} will be asserted.

Switching Waveforms (continued)

Interrupt Timing Diagrams

 Left Side Sets $\overline{\text{INT}}_R$:

 Right Side Clears $\overline{\text{INT}}_R$:

 Right Side Sets $\overline{\text{INT}}_L$:

 Left Side Clears $\overline{\text{INT}}_L$:

Notes:

31. t_{HA} depends on which enable pin ($\overline{\text{CE}}_L$ or $\overline{\text{R}}/\overline{\text{W}}_L$) is deasserted first.
32. t_{INS} or t_{INR} depends on which enable pin ($\overline{\text{CE}}_L$ or $\overline{\text{R}}/\overline{\text{W}}_L$) is asserted last.

Architecture

The CY7C138/9 consists of an array of 4K words of 8/9 bits each of dual-port RAM cells, I/O and address lines, and control signals (CE, OE, R/W). These control pins permit independent access for reads or writes to any location in memory. To handle simultaneous writes/reads to the same location, a BUSY pin is provided on each port. Two interrupt (INT) pins can be utilized for port-to-port communication. Two semaphore (SEM) control pins are used for allocating shared resources. With the M/S pin, the CY7C138/9 can function as a master (BUSY pins are outputs) or as a slave (BUSY pins are inputs). The CY7C138/9 has an automatic power-down feature controlled by CE. Each port is provided with its own output enable control (OE), which allows data to be read from the device.

Functional Description

Write Operation

Data must be set up for a duration of t_{SD} before the rising edge of R/W in order to guarantee a valid write. A write operation is controlled by either the OE pin (see Write Cycle No. 1 waveform) or the R/W pin (see Write Cycle No. 2 waveform). Data can be written to the device t_{HZOE} after the OE is deasserted or t_{HZWE} after the falling edge of R/W. Required inputs for non-contention operations are summarized in Table 1.

If a location is being written to by one port and the opposite port attempts to read that location, a port-to-port flowthrough delay must be met before the data is read on the output; otherwise the data read is not deterministic. Data will be valid on the port t_{DD} after the data is presented on the other port.

Read Operation

When reading the device, the user must assert both the \overline{OE} and CE pins. Data will be available t_{ACE} after CE or t_{DOE} after OE is asserted. If the user of the CY7C138/9 wishes to access a semaphore flag, then the \overline{SEM} pin must be asserted instead of the CE pin.

Interrupts

The interrupt flag (\overline{INT}) permits communications between ports. When the left port writes to location FFF, the right port's interrupt flag (\overline{INT}_R) is set. This flag is cleared when the right port reads that same location. Setting the left port's interrupt flag (\overline{INT}_L) is accomplished when the right port writes to location FFE. This flag is cleared when the left port reads location FFE. The message at FFF or FFE is user-defined. See Table 2 for input requirements for INT. \overline{INT}_R and \overline{INT}_L are push-pull outputs and do not require pull-up resistors to operate. \overline{BUSY}_L and \overline{BUSY}_R in master mode are push-pull outputs and do not require pull-up resistors to operate.

Busy

The CY7C138/9 provides on-chip arbitration to alleviate simultaneous memory location access (contention). If both ports' CEs are asserted and an address match occurs within t_{PS} of each other the Busy logic will determine which port has access. If t_{PS} is violated, one port will definitely gain permission to the location, but it is not guaranteed which one. \overline{BUSY} will be asserted t_{BLA} after an address match or t_{BLC} after CE is taken LOW.

Master/Slave

A $\overline{M/S}$ pin is provided in order to expand the word width by configuring the device as either a master or a slave. The BUSY output of the master is connected to the BUSY input of the slave. This will allow the device to interface to a master device with no external components. Writing of slave devices must be delayed until after the BUSY input has settled. Otherwise, the slave chip may begin a write cycle during a contention situation. When presented as a HIGH input, the $\overline{M/S}$ pin allows the device to be used as a master and therefore the BUSY line is an output. BUSY can then be used to send the arbitration outcome to a slave.

Semaphore Operation

The CY7C138/9 provides eight semaphore latches, which are separate from the dual-port memory locations. Semaphores are used to reserve resources that are shared between the two ports. The state of the semaphore indicates that a resource is in use. For example, if the left port wants to request a given resource, it sets a latch by writing a zero to a semaphore location. The left port then verifies its success in setting the latch by reading it. After writing to the semaphore, \overline{SEM} or \overline{OE} must be deasserted for t_{SOP} before attempting to read the semaphore. The semaphore value will be available $t_{SWRD} + t_{DOE}$ after the rising edge of the semaphore write. If the left port was successful (reads a zero), it assumes control over the shared resource, otherwise (reads a one) it assumes the right port has control and continues to poll the semaphore. When the right side has relinquished control of the semaphore (by writing a one), the left side will succeed in gaining control of the semaphore. If the left side no longer requires the semaphore, a one is written to cancel its request.

Semaphores are accessed by asserting \overline{SEM} LOW. The \overline{SEM} pin functions as a chip enable for the semaphore latches (CE must remain HIGH during SEM LOW). A_{0-2} represents the semaphore address. OE and R/W are in the same manner as a normal memory access. When writing or reading a semaphore, the other address pins have no effect.

When writing to the semaphore, only I/O_0 is used. If a zero is written to the left port of an unused semaphore, a one will appear at the same semaphore address on the right port. That semaphore can now only be modified by the side showing zero (the left port in this case). If the left port now relinquishes control by writing a one to the semaphore, the semaphore will be set to one for both sides. However, if the right port had requested the semaphore (written a zero) while the left port had control, the right port would immediately own the semaphore as soon as the left port released it. Table 3 shows sample semaphore operations.

When reading a semaphore, all eight/nine data lines output the semaphore value. The read value is latched in an output register to prevent the semaphore from changing state during a write from the other port. If both ports attempt to access the semaphore within t_{SPS} of each other, the semaphore will definitely be obtained by one side or the other, but there is no guarantee which side will control the semaphore.

Initialization of the semaphore is not automatic and must be reset during initialization program at power-up. All semaphores on both sides should have a one written into them at initialization from both sides to assure that they will be free when needed.

Table 1. Non-Contending Read/Write


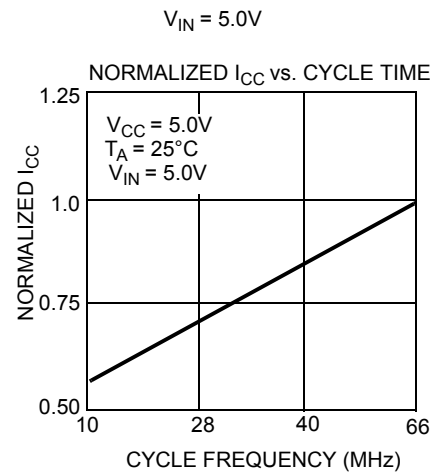
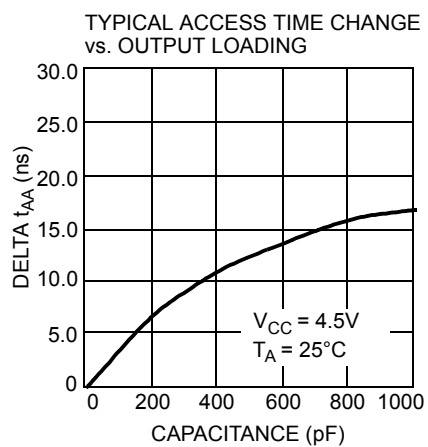
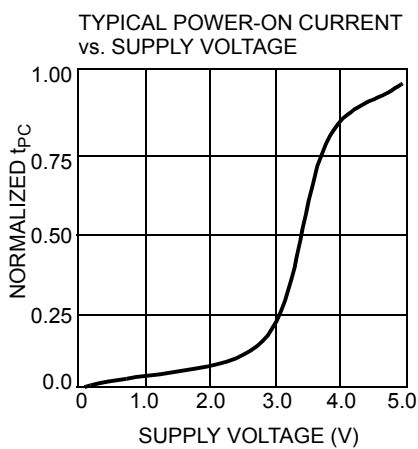
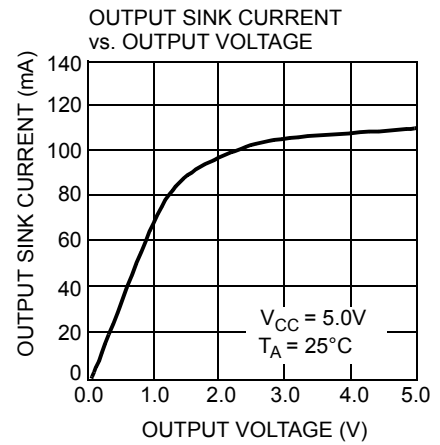
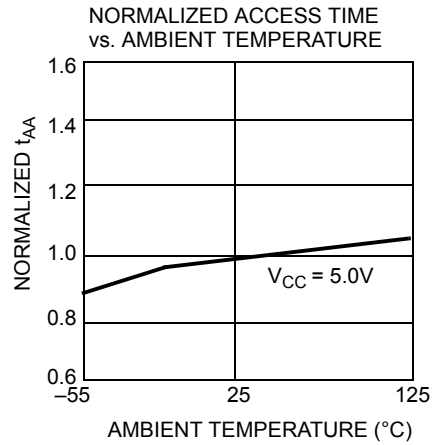
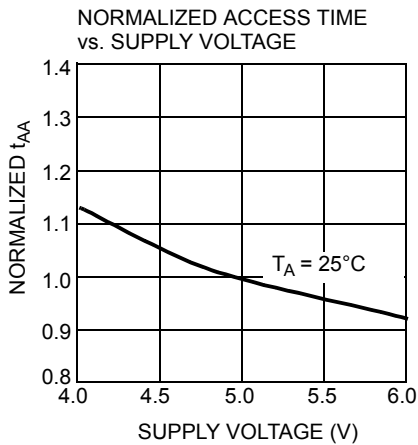
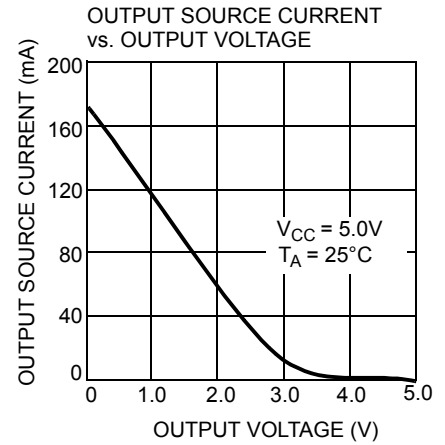
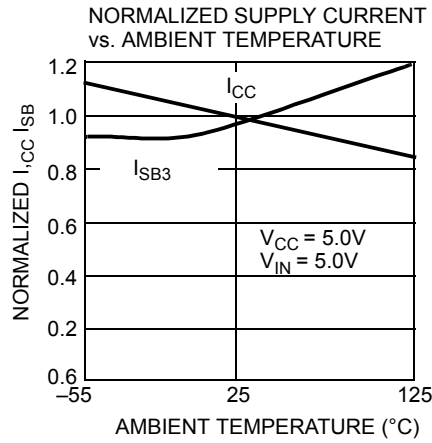
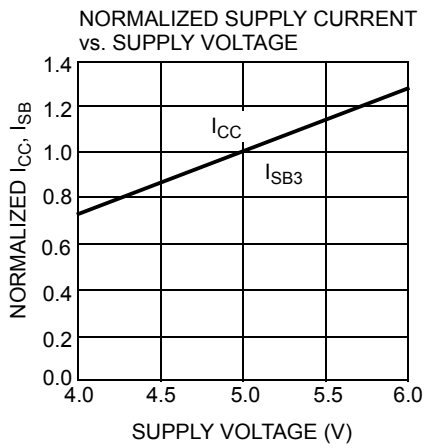
| Inputs | | | | Outputs | Operation |
|--------|---|----|-----|----------------------|------------------------|
| CE | R/W | OE | SEM | I/O _{0-7/8} | |
| H | X | X | H | High Z | Power-Down |
| H | H | L | L | Data Out | Read Data in Semaphore |
| X | X | H | X | High Z | I/O Lines Disabled |
| H |  | X | L | Data In | Write to Semaphore |
| L | H | L | H | Data Out | Read |
| L | L | X | H | Data In | Write |
| L | X | X | L | | Illegal Condition |

Table 2. Interrupt Operation Example (assumes $\overline{\text{BUSY}}_L = \overline{\text{BUSY}}_R = \text{HIGH}$)

| Function | Left Port | | | | | Right Port | | | | |
|-------------------------------------|-----------|----|----|-------------------|-----|------------|----|----|-------------------|-----|
| | R/W | CE | OE | A ₀₋₁₁ | INT | R/W | CE | OE | A ₀₋₁₁ | INT |
| Set Left $\overline{\text{INT}}$ | X | X | X | X | L | L | L | X | FFE | X |
| Reset Left $\overline{\text{INT}}$ | X | L | L | FFE | H | X | X | X | X | X |
| Set Right $\overline{\text{INT}}$ | L | L | X | FFF | X | X | X | X | X | L |
| Reset Right $\overline{\text{INT}}$ | X | X | X | X | X | X | L | L | FFF | H |

Table 3. Semaphore Operation Example

| Function | I/O _{0-7/8} Left | I/O _{0-7/8} Right | Status |
|----------------------------------|---------------------------|----------------------------|---|
| No action | 1 | 1 | Semaphore free |
| Left port writes semaphore | 0 | 1 | Left port obtains semaphore |
| Right port writes 0 to semaphore | 0 | 1 | Right side is denied access |
| Left port writes 1 to semaphore | 1 | 0 | Right port is granted access to semaphore |
| Left port writes 0 to semaphore | 1 | 0 | No change. Left port is denied access |
| Right port writes 1 to semaphore | 0 | 1 | Left port obtains semaphore |
| Left port writes 1 to semaphore | 1 | 1 | No port accessing semaphore address |
| Right port writes 0 to semaphore | 1 | 0 | Right port obtains semaphore |
| Right port writes 1 to semaphore | 1 | 1 | No port accessing semaphore |
| Left port writes 0 to semaphore | 0 | 1 | Left port obtains semaphore |
| Left port writes 1 to semaphore | 1 | 1 | No port accessing semaphore |

Typical DC and AC Characteristics


Document History Page

| Document Title: CY7C138/CY7C139 4K x 8/9 Dual-Port Static RAM Document Number: 38-06037 | | | | |
|--|----------------|-------------------|------------------------|---|
| REV. | ECN NO. | Issue Date | Orig. of Change | Description of Change |
| ** | 110180 | 09/29/01 | SZV | Change from Spec number: 38-00536 to 38-06037 |
| *A | 122287 | 12/27/02 | RBI | Power up requirements added to Maximum Ratings Information |
| *B | 393403 | See ECN | YIM | Added Pb-Free Logo Added Pb-Free parts to ordering information: CY7C138-15JXC, CY7C138-25JXC, CY7C139-25JXC |