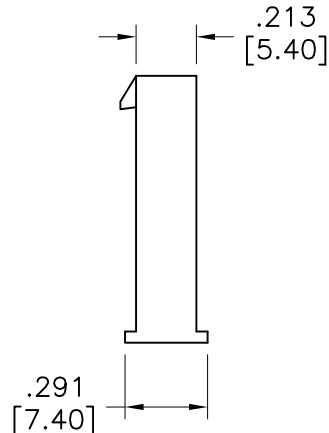
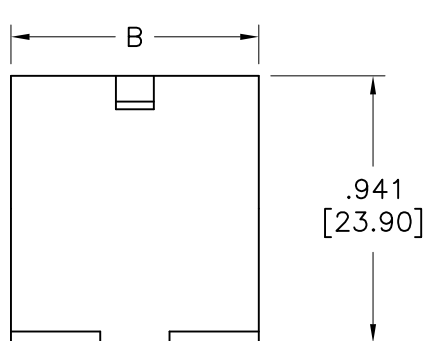
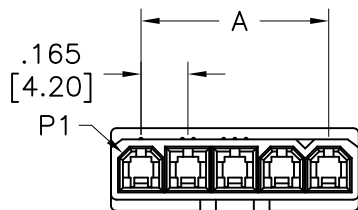


APPROVED: \_\_\_\_\_  
 DATE: \_\_\_\_\_ TITLE: \_\_\_\_\_

Rev	AWO #	Description	Date	Appr
-		RELEASED	12/1/16	
A		UPDATE DRAWING	7/23/19	AY/KC



Wire Size AWG	Positions			
	2,3	4~6	7~10	11,12
#16	9A	8A	7A	6A
#18	9A	8A	7A	6A
#20	7A	6A	5A	5A
#22	5A	4A	4A	4A
#24	4A	3A	3A	3A
#26	3A	2A	2A	2A
#28	2A	1A	1A	1A

**SPECIFICATIONS:**

Material:  
 Insulator: Nylon 66, rated UL 94V-2  
 Insulator color: Natural  
 Electrical:  
 Voltage rating: 600 V (R.M.S)  
 Current rating: See chart  
 Insulation resistance: 1000 Mohms min @ 500 VDC  
 Dielectric withstanding voltage: 1500 VAC for 1 minute  
 Mechanical:  
 Wire size: 16 Awg thru 28 Awg  
 Temperature Rating:  
 -40°C to 105°C  
 Environmental:  
 Lead free, RoHS compliant.



Positions: 02 thru 12  
 A = .165 [4.20] x No. of Space  
 B = .165 [4.20] x No. of Positions + .047 [1.20]

UNLESS OTHERWISE SPECIFIED ALL DIMENSIONS ARE MM [INCHES] TOLERANCES: EXCEPT AS NOTED INCHES HOLES .X ±.10 Ø.X ±.10 .XX ±.020 Ø.XX ±.015 .XXX ±.015 Ø.XXX ±.010		<b>ADAM TECH</b> INTERCONNECTS		909 Rahway Avenue, Union, NJ 07083 Phone: 908-687-5000 Fax: 908-687-5710	
APPROVALS		DATE		TITLE	
DRAWN	HR	12/1/16		PLUG HOUSING, SINGLE ROW, .165 [4.20] PITCH	
CHECKED	LW1	12/1/16		SIZE X	PART NO. DMF-XX-W-S-NE
APPROVED				REF: S00123T	SCALE: NTS
				SHEET 1 OF 1	REV. A