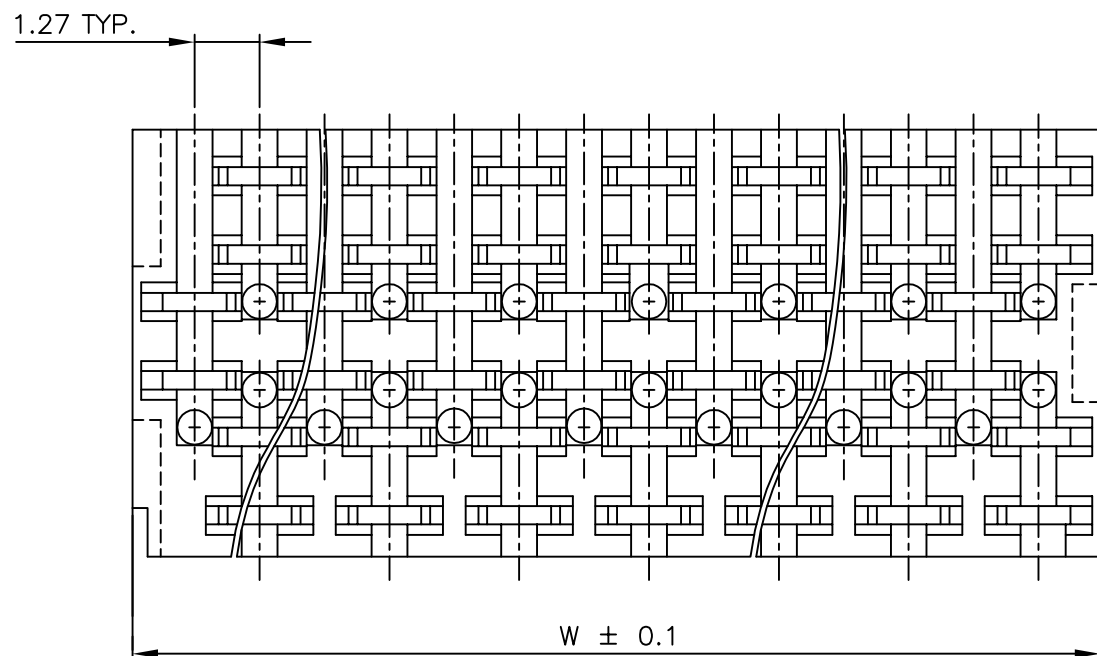
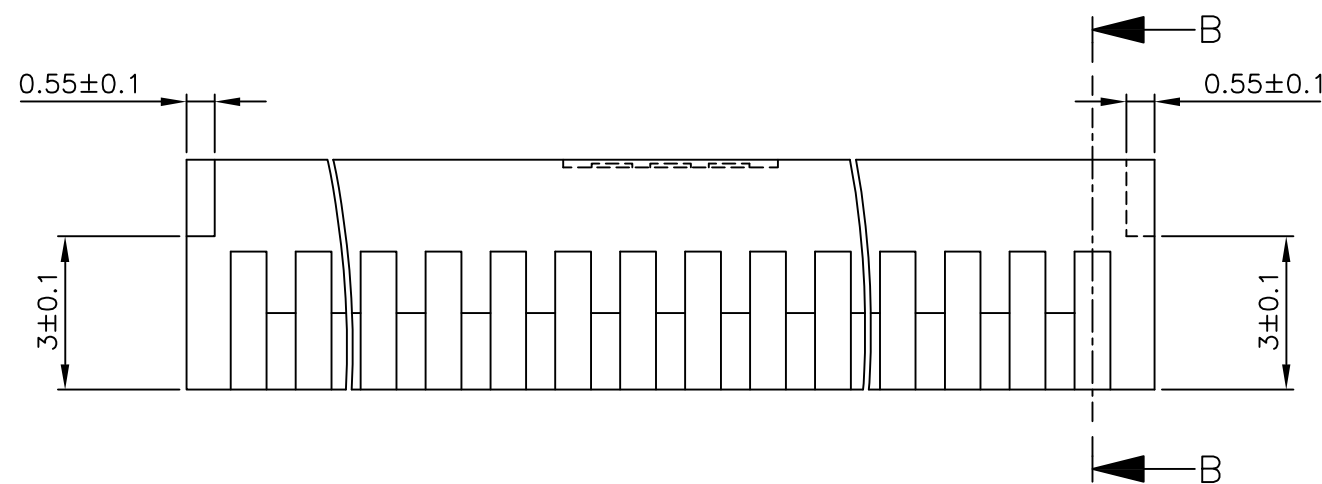
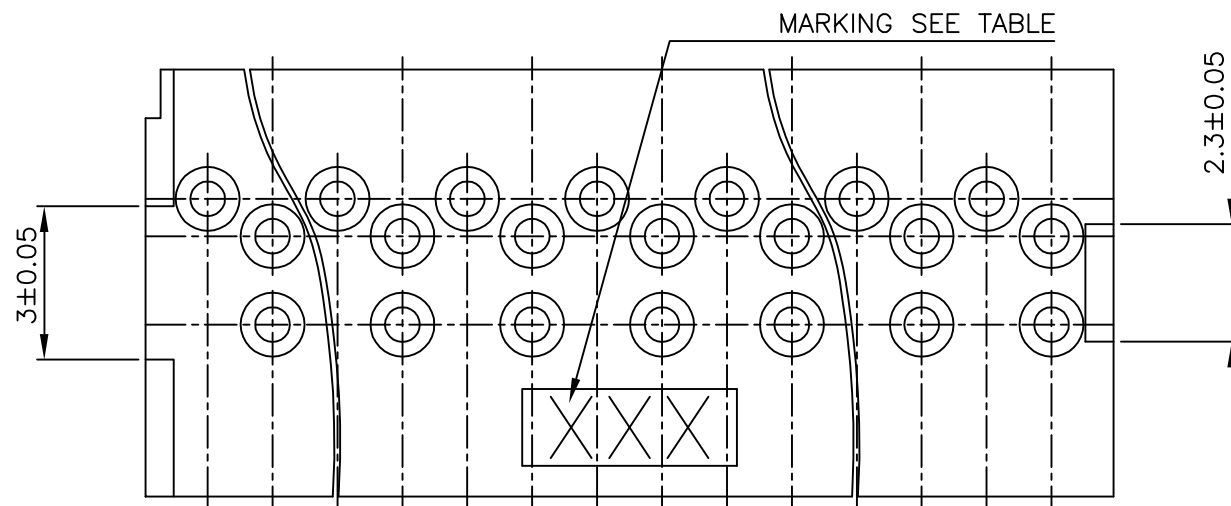
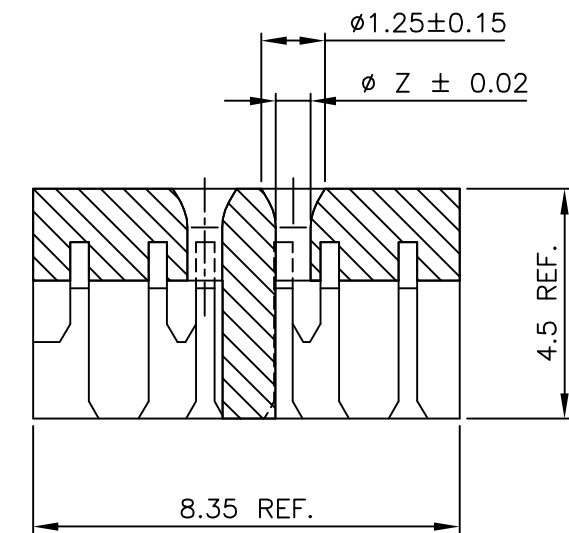


Product number	No. of Pos.	DIM Z	DIM W	MARKING X,XX
65132-001	3 x 7	0.68	18.94	0,68
65132-002	3 x 7	0.48	18.94	0,48
65132-011	3 x 3	0.68	8.78	0,68
65132-012	3 x 3	0.48	8.78	0,48



NOTES:-

1. THIS PRODUCT MEETS EUROPEAN UNION DIRECTIVES AND OTHER COUNTRY REGULATIONS AS DESCRIBED IN GS-22-008.
2. LEADFREE OR RoHS DIRECTIVE LABELLING TO BE PROVIDED AS PER GS-14-920.
3. "LF" SUFFIX TO PRODUCT NUMBER FOR RoHS COMPATIBLE/LEADFREE VERSION.
4. PARTS WITH AND WITHOUT "LF" SUFFIX ARE FORM-FIT AND FUNCTIONALLY IDENTICAL. "LF" SUFFIX PROVIDED FOR PART NUMBER STANDARDISATION OF PART THAT MEETS RoHS REQUIREMENTS.



SECTION B-B

MATERIAL: THERMOPLASTIC POLYESTER
 COLOUR: GREY, 30% GLASS FILLED
 FLAME RETARDANT UL-94-V0

mat'l. code		surface		tolerance		projection		product family	
SEE NOTE		ISO 1302		ISO 406 ISO 1101		mm		BACKPANEL	
ltr	ecn no	dr	date	tolerances unless otherwise specified		mm		title	
E	H20773	JVZ	1992-12-02	angles	linear	mm		PIERCE BLOCK	
F	H40711	RVI	1995-02-06			mm		3 ROW ROUND CABLE	
G	H50590	DDB	1995-10-12			scale -			
H	I05-0042	MINI	2005-03-17	dr	J.V.ZEIST	1992-12-02		dwg no	
J	I05-0248	MINI	2005-11-22	enrg	M.LOMAN	1994-11-07		sheet 1 of 1	
K	I06-0068	MINI	2006-06-01	chr	RAKHEE GEORGE	2006-06-01		size	
				appd	RAKHEE GEORGE	2006-06-01		A3	
sheet index		revision	K					type	
		sheet	1					Product Customer Drawing	