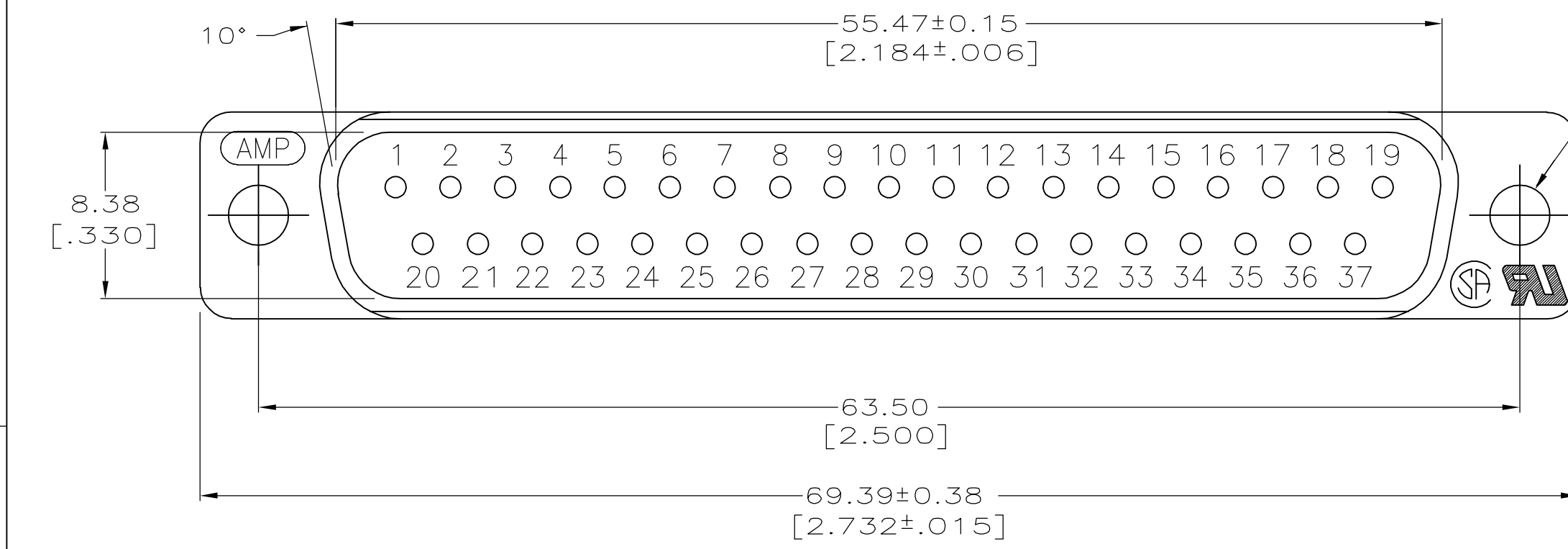
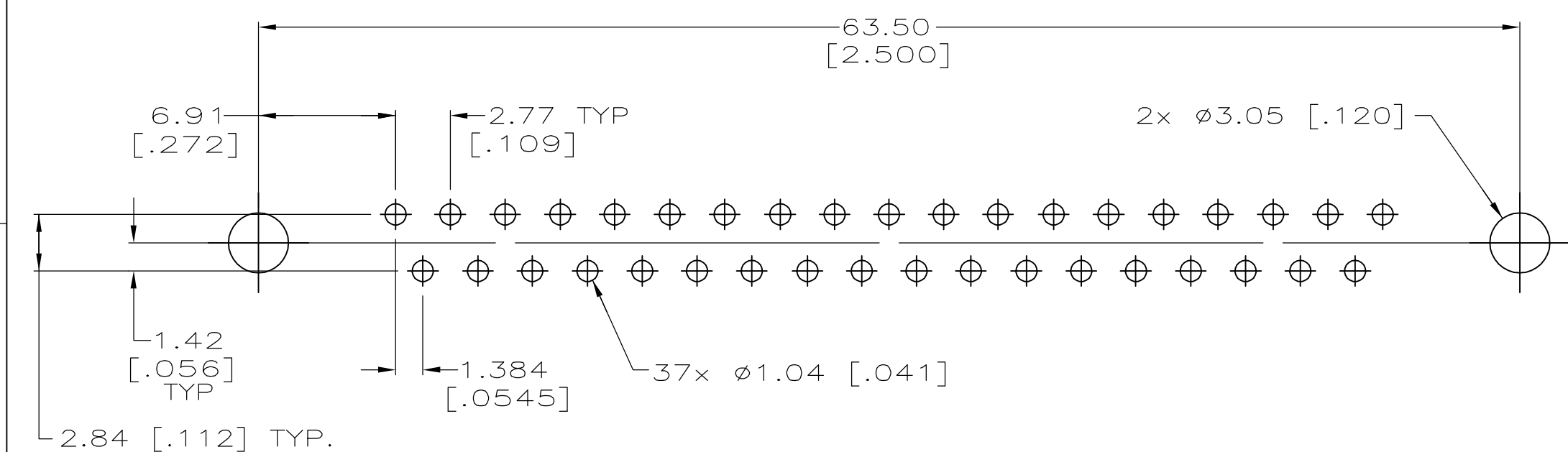
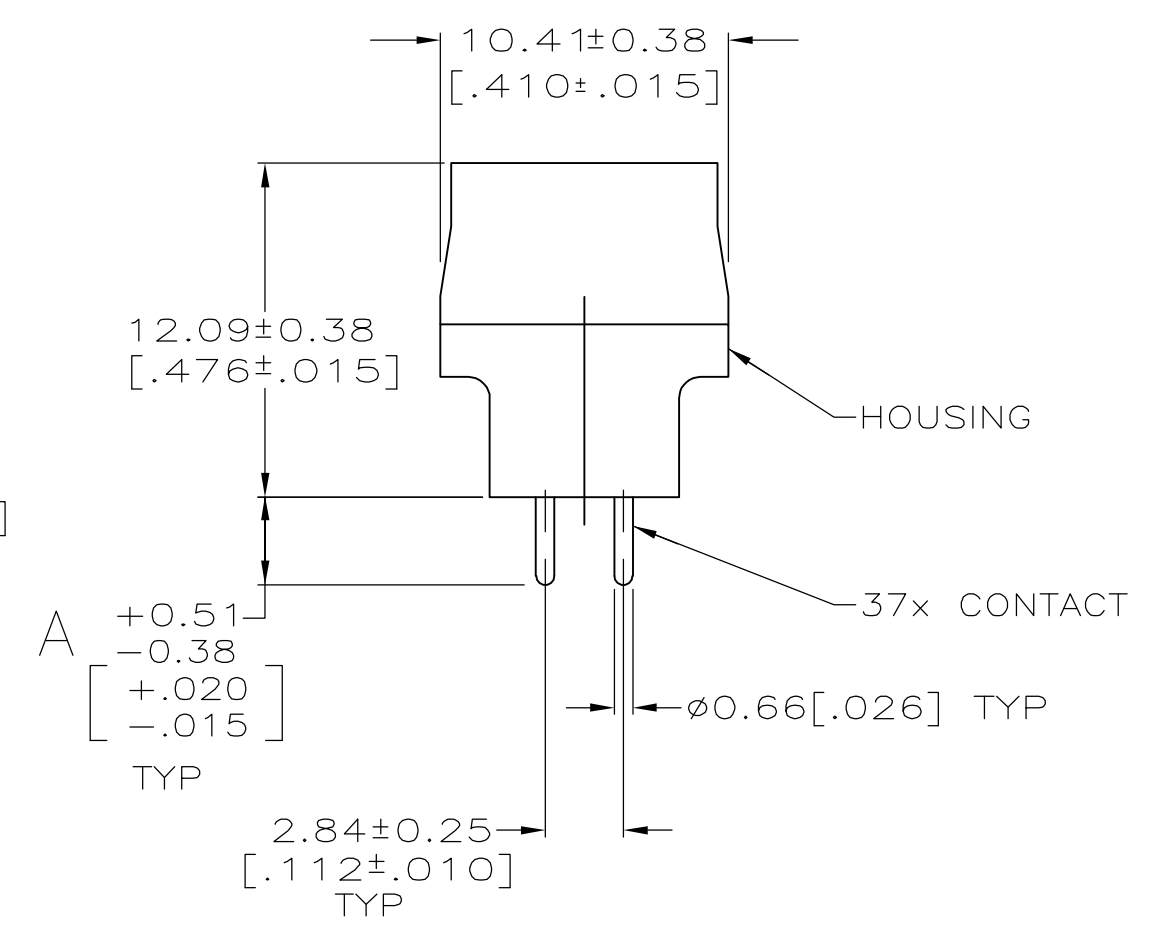
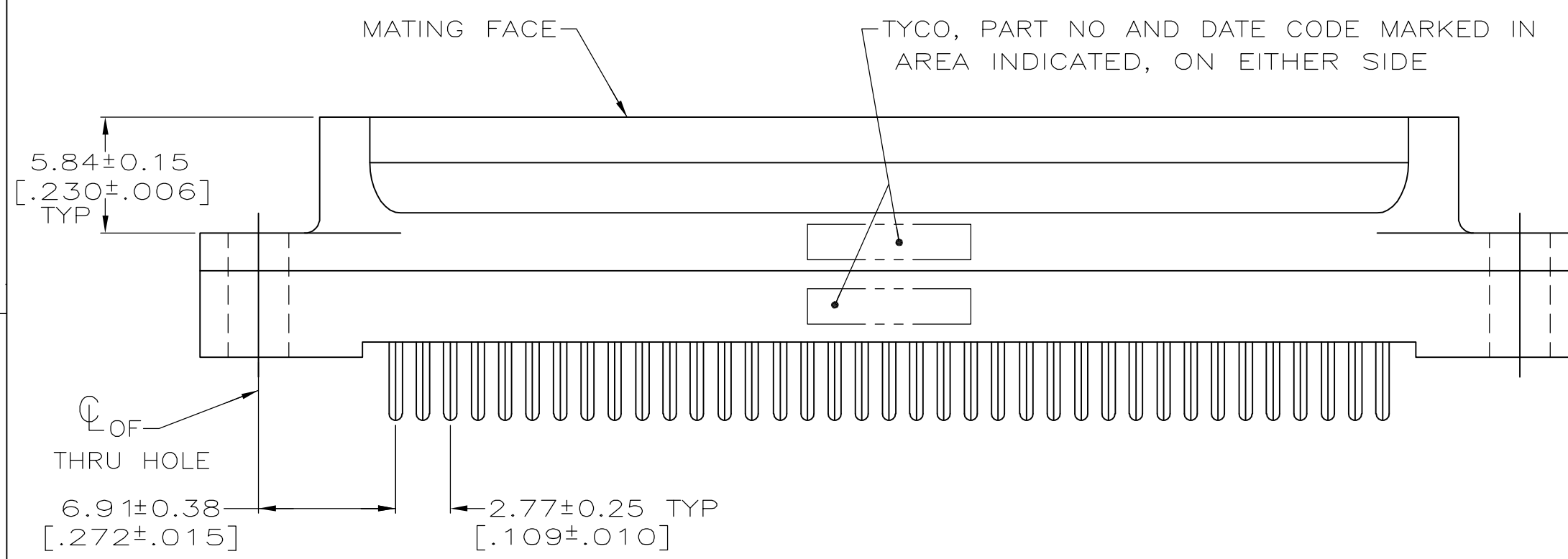


LOC	DIST	REVISIONS					
GP	00	P	LTR	DESCRIPTION	DATE	OWN	APVD
		0		RELEASED PER EC 0513-0087-05	12SEP05	GP	JG



- 1 HOUSING: BLACK POLYESTER, UL 94V-0 RATED; CONTACTS: BRASS
- 2 CONTACTS: GOLD PLATED FOR A LENGTH OF 3.81 [.150] MIN FROM MATING END, GOLD FLASH IN MATED AREA, 2.54 μm [.000100] MIN TIN ON OPPOSITE END, ALL OVER 1.27 μm [.000050] MIN NICKEL.



RECOMMENDED PC BOARD MOUNTING DIMENSIONS

COPYRIGHT 2005 TYCO ELECTRONICS CORP ALL RIGHTS RESERVED

4.32	[.170]	5208009-3
3.18	[.125]	5208009-1
A		PART NO.

THIS DRAWING IS A CONTROLLED DOCUMENT.		DWN G.PETERS 12SEP05	Tyco Electronics Corporation Harrisburg, PA 17105-3608
DIMENSIONS: mm [INCHES]		CHK S.BOLASH 12SEP05	
TOLERANCES UNLESS OTHERWISE SPECIFIED:		APVD M.WALMSLEY 12SEP05	NAME PLUG ASSEMBLY, SIZE 4, 37 POSN, VERTICAL, AMPLIMITE HD-20
0 PLC ± -		PRODUCT SPEC 108-40025	SIZE A2
1 PLC ± -		APPLICATION SPEC	CAGE CODE 00779
2 PLC ± 0.13 [.005]		ANGLE ± ± 2'	DRAWING NO G-5208009
3 PLC ± -		FINISH	RESTRICTED TO
4 PLC ± -		MATERIAL	SCALE 4:1
MATERIAL		WEIGHT	SHEET 1 OF 1
FINISH		CUSTOMER DRAWING	REV 0