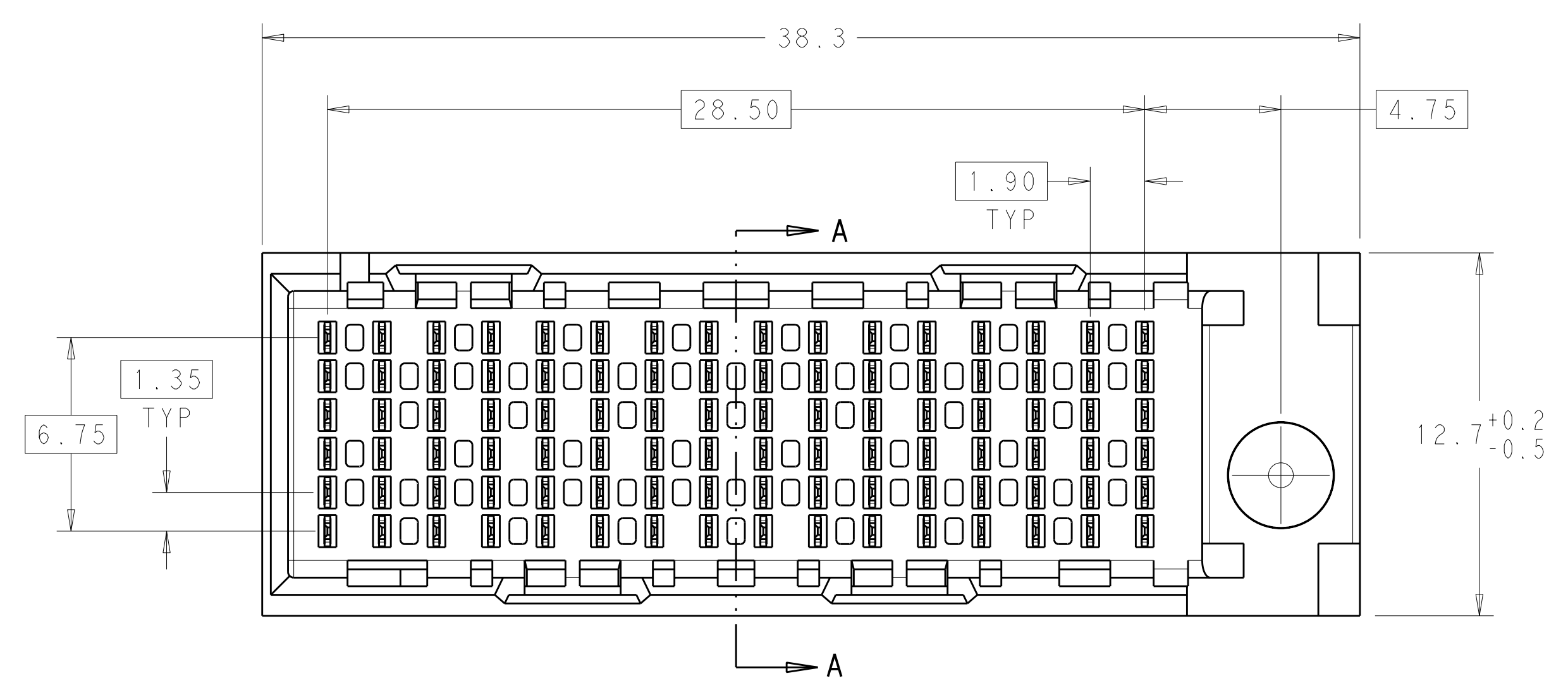
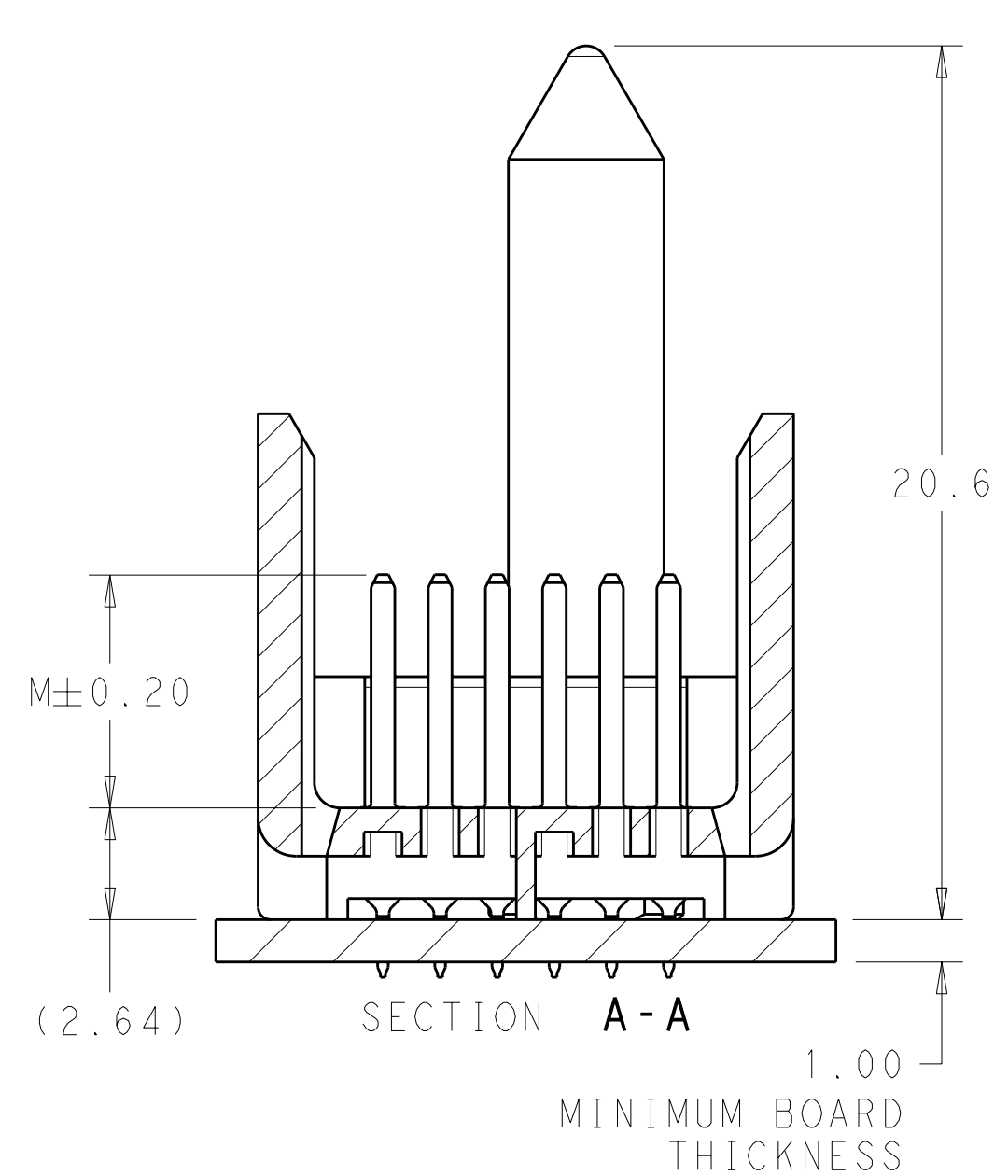
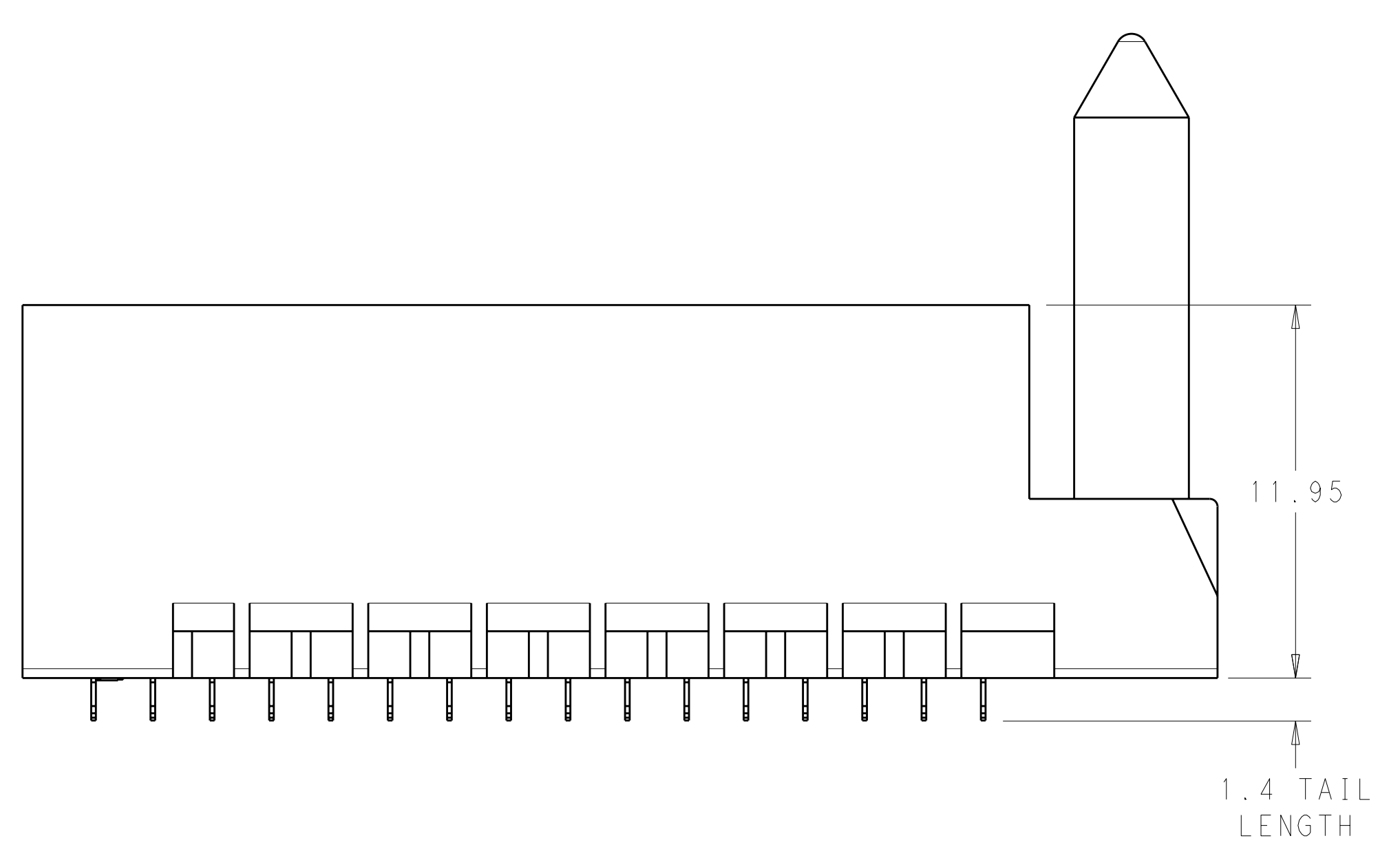
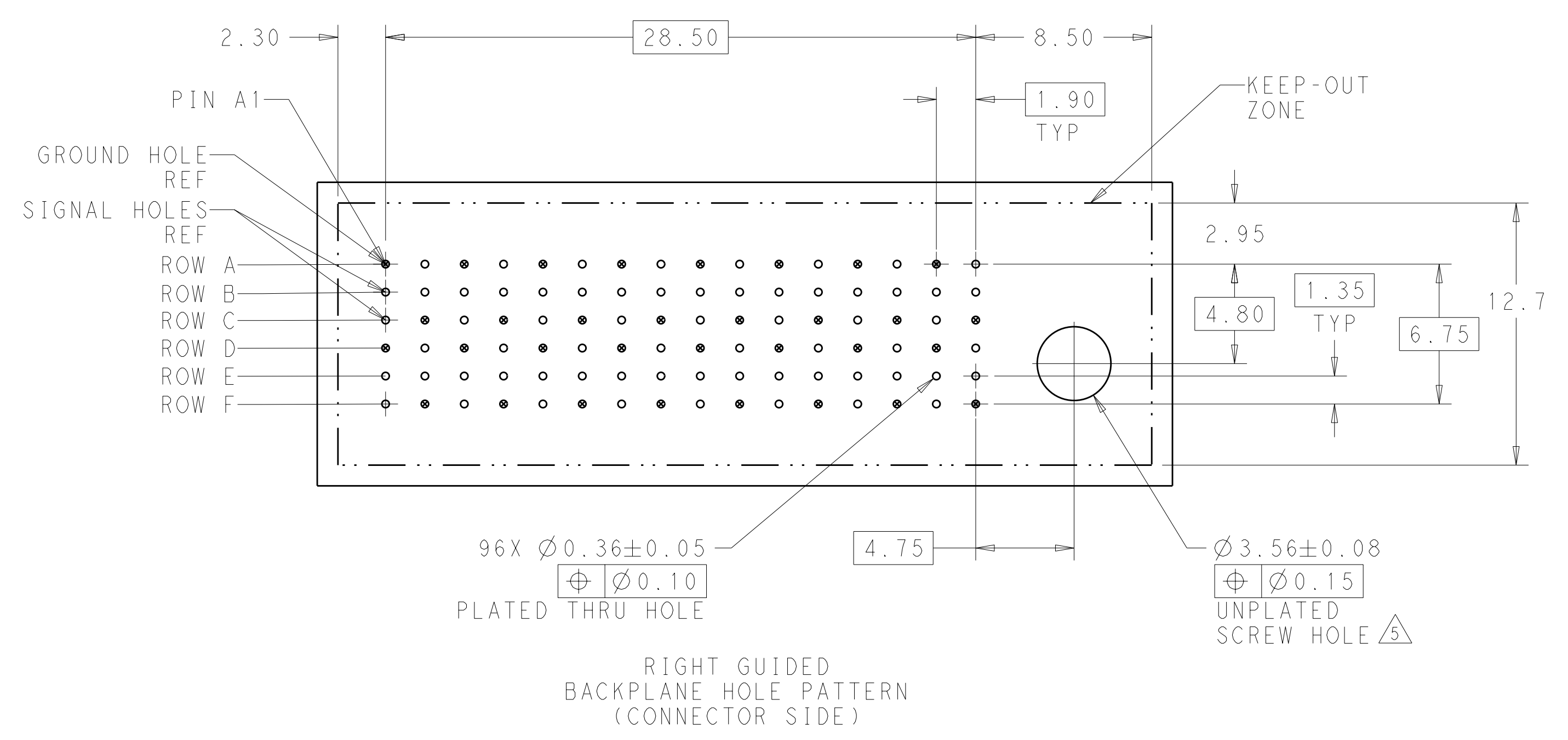
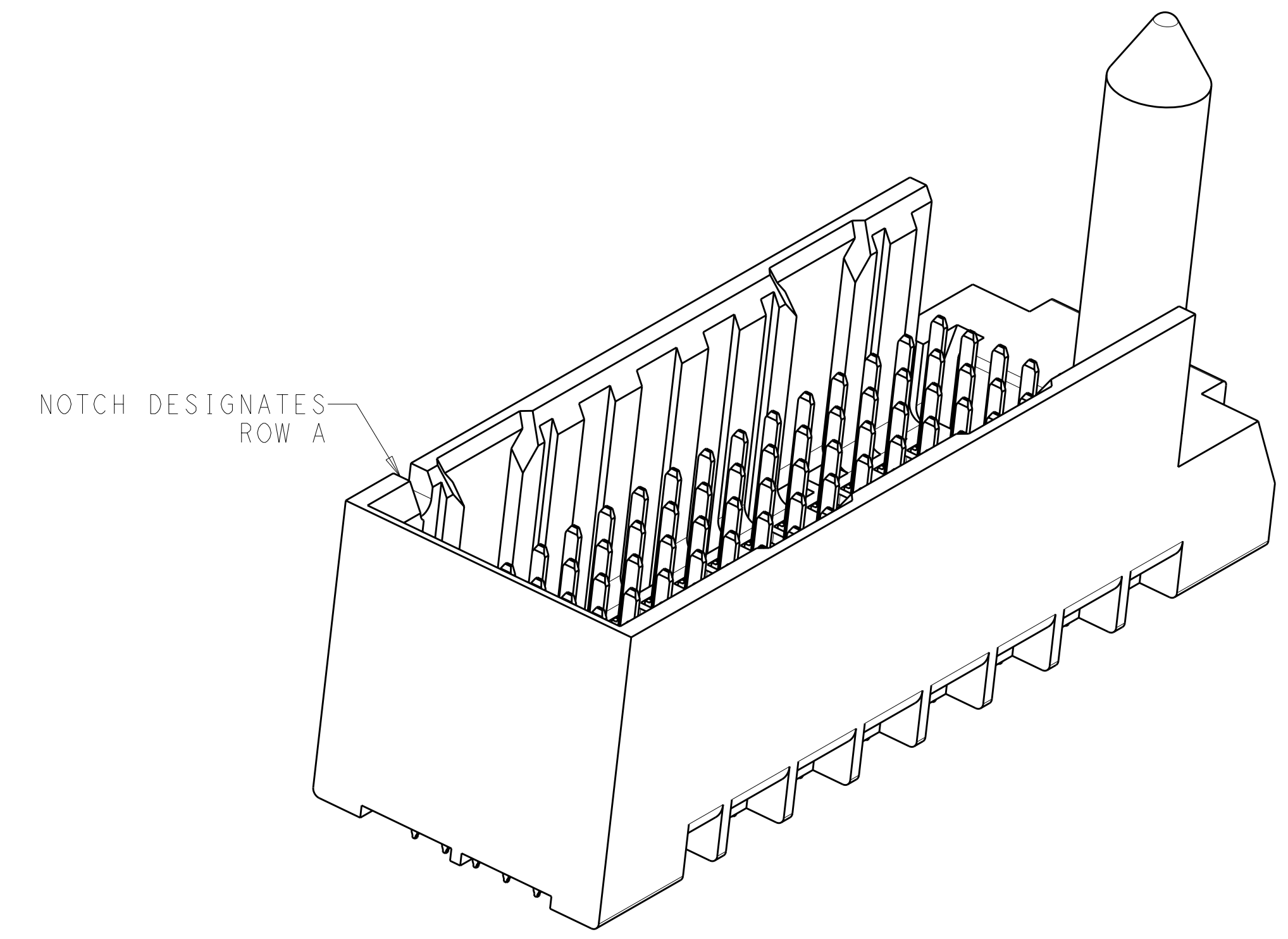


LOC	DIST	REV	DATE	BY	APPD
AD	00	B	05JAN2012	KH	DY
		REVISIONS			
		DESCRIPTION	DATE	DWN	APPD
		B	REVISD PER ECO-11-025276	05JAN2012	KH



- 1 MATERIAL:  
HOUSING: LCP, GLASS FILLED, UL94V-0.  
TERMINALS: HIGH PERFORMANCE COPPER ALLOY.
- 2 FINISH:  
30µ" MIN GOLD IN CONTACT AREA. SELECTIVE TIN  
ON PCB TAILS, NICKEL OVERALL.
- 3 FINISH:  
30µ" MIN GOLD IN CONTACT AREA. SELECTIVE TIN-LEAD  
ON PCB TAILS, NICKEL OVERALL.
- 4. SCREWS PACKAGED IN END OF PACKAGING TUBE.
- 5 FOR GROUNDED GUIDE PIN USE  $\varnothing 3.56 \pm 0.08$  PTH,  
 $\varnothing 3.66$  DRILL, AND  $\varnothing 6.5$  PAD.




THIS DRAWING IS A CONTROLLED DOCUMENT.		DWN J. K. SHOBER 3NOV2011	TE Connectivity
DIMENSIONS: mm		CHK J. EARY 3NOV2011	
TOLERANCES UNLESS OTHERWISE SPECIFIED:		APVD J. EARY 3NOV2011	NAME IMPACT, 2 PAIR, 16 COLUMN, HEADER
9 PLC	±	PRODUCT SPEC	RIGHT GUIDED, LEFT END WALL
1 PLC	±0.25	APPLICATION SPEC	SIGNAL MODULE, 0.36 PTH
3 PLC	±0.13	SIZE CAGE CODE DRAWING NO	A100779C=2057743
5 PLC	±	WEIGHT	RESTRICTED TO
4 PLC	±	CUSTOMER DRAWING	SCALE 6:1 SHEET 1 OF 2 REV B
ANGLES	±		
FINISH	SEE TABLE		

THIS DRAWING IS UNPUBLISHED. RELEASED FOR PUBLICATION 20  
 © COPYRIGHT 20 . . . ALL RIGHTS RESERVED.

LOC	DIST	REVISIONS				
AD	00	P	LTB	DATE	DWN	APVD
		-	-	SEE SHEET 1	-	-

FINISH	DIM M	PART NUMBER
$\triangle_3$	5.5	2057743-6
$\triangle_3$	4.9	2057743-5
$\triangle_3$	4.5	2057743-4
$\triangle_2$	5.5	2057743-3
$\triangle_2$	4.9	2057743-2
$\triangle_2$	4.5	2057743-1

REFER TO WWW.TE.COM  
FOR PRODUCT AVAILABILITY

THIS DRAWING IS A CONTROLLED DOCUMENT.		DWN J. K. SHOBER 3NOV2011	 TE Connectivity
DIMENSIONS: mm		CHK J. EARY 3NOV2011	
TOLERANCES UNLESS OTHERWISE SPECIFIED: 9 PLC ± 7 PLC ±0.25 5 PLC ±0.13 4 PLC ± ANGLES ± FINISH SEE TABLE		APVD J. EARY 3NOV2011	NAME IMPACT, 2 PAIR, 16 COLUMN, HEADER RIGHT GUIDED, LEFT END WALL SIGNAL MODULE, 0.36 PTH
MATERIAL -	SEE TABLE	PRODUCT SPEC -	APPLICATION SPEC -
CUSTOMER DRAWING		WEIGHT -	RESTRICTED TO -
SCALE 5:1		SIZE CAGE CODE DRAWING NO A100779C=2057743	SHEET 2 OF 2 REV B