

# FTL7522

## Low I<sub>CC</sub> Reset Timer with Fixed Delay and Reset Pulse

### Features

- Fixed Reset Delay: 7.5 Seconds
- Expanded V<sub>IH</sub> Input Range Allows Direct Interface to Lower Voltage Chips, (No Translator Needed)
- Low I<sub>CC</sub> Feature Saves Power when Interfacing with Low-Voltage Chips
- One Input Reset Pin
- Open-Drain Output Pin with Fixed 400ms Pulse
- 1.8V to 5.0V Operation (T<sub>A</sub>=-40°C to +85°C)
- 1.7V to 5.0V Operation (T<sub>A</sub>=-25°C to +85°C)
- 1.65V to 5.0V Operation (T<sub>A</sub>=0°C to +85°C)
- <1μA I<sub>CCQ</sub> Consumption
- Zero-Second Test Mode Enable

### Applications

- Cell Phones
- Portable Media Players
- Tablets
- Mobile Devices
- Consumer Medical

### Description

The FTL7522 is a timer for resetting a mobile device where long reset times are needed. The long delay helps avoid unintended resets caused by accidental key presses. It has a fixed delay of 7.5 ±20% seconds. The DSR pin enables Test Mode operation by immediately forcing /RST1 LOW for factory testing.

The FTL7522 has one input for single-button resetting capability. The device has a single open-drain output with 0.5mA pull-down drive.

FTL7522 draws minimal I<sub>CC</sub> current when inactive and functions over a power supply range of 1.65V to 5.0V.

The FTL7522 low-I<sub>CC</sub> feature enables direct interface with lower-voltage chipsets without needing external translation, while maintaining low power consumption.

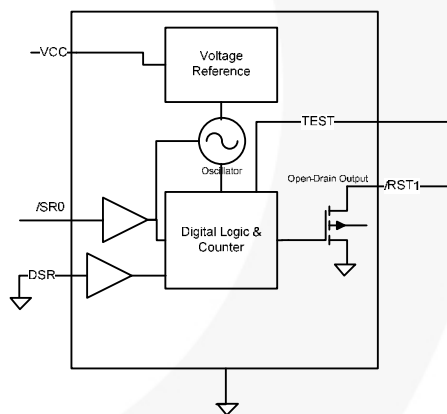


Figure 1. Block Diagram

### Ordering Information

Part Number	Operating Temperature Range	Top Mark	Package	Packing Method
FTL7522L6X	-40°C to +85°C	PC	6-Lead, MicroPak™ 1.0 x 1.45mm, JEDEC MO-252	5000 Units on Tape and Reel

## Pin Configuration

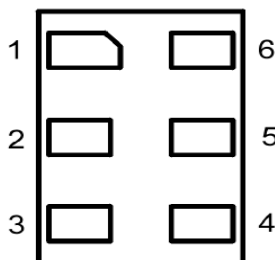


Figure 2. Pad Assignments (Top-Through View)

## Pin Definitions

Pin #	Name	Description	
		Normal Operation	0-Second Factory-Test Mode
1	/RST1	Open-Drain Output, Active LOW	Open-Drain Output, Active LOW
2	GND	GND	GND
3	/SR0	Reset Input, Active LOW	Reset Input, Active LOW
4	VCC	Power Supply	Power Supply
5	DSR	Delay Selection Input. Tie to GND <sup>(1)</sup> during normal operation.	Delay Selection Input. Pull HIGH to enable the 0-second delay for factory test.
6	TEST	Used for device testing; should be tied to GND during normal operation.	Used for device testing; should be tied to GND during normal operation.

**Note:**

1. The DSR pin must always be tied to either GND or VCC; it must not float.

## Absolute Maximum Ratings

Stresses exceeding the absolute maximum ratings may damage the device. The device may not function or be operable above the recommended operating conditions and stressing the parts to these levels is not recommended. In addition, extended exposure to stresses above the recommended operating conditions may affect device reliability. The absolute maximum ratings are stress ratings only.

Symbol	Parameter	Condition	Min.	Max.	Unit
V <sub>CC</sub>	Supply Voltage		-0.5	7.0	V
V <sub>IN</sub>	DC Input Voltage	/SR0, DSR	-0.5	7.0	V
V <sub>OUT</sub>	Output Voltage <sup>(2)</sup>	/RST1	-0.5	7.0	V
I <sub>IK</sub>	DC Input Diode Current	V <sub>IN</sub> < 0V		-50	mA
I <sub>OK</sub>	DC Output Diode Current	V <sub>OUT</sub> < 0V		-50	mA
I <sub>OL</sub>	DC Output Sink Current			+50	mA
I <sub>CC</sub>	DC V <sub>CC</sub> or Ground Current per Supply Pin			±100	mA
T <sub>STG</sub>	Storage Temperature Range		-65	+150	°C
T <sub>J</sub>	Junction Temperature Under Bias			+150	°C
T <sub>L</sub>	Junction Lead Temperature, Soldering 10 Seconds			+260	°C
P <sub>D</sub>	Power Dissipation			5	mW
ESD	Electrostatic Discharge Capability	Human Body Model, JESD22-A114		4	kV
		Charged Device Model, JESD22-C101		2	

### Note:

2. All output current Absolute Maximum Ratings must be observed.

## Recommended Operating Conditions

The Recommended Operating Conditions table defines the conditions for actual device operation. Recommended operating conditions are specified to ensure optimal performance to the datasheet specifications. Fairchild does not recommend exceeding them or designing to Absolute Maximum Ratings.

Symbol	Parameter	Condition	Min.	Max.	Unit
V <sub>CC</sub>	Supply Voltage <sup>(3)</sup>	-40°C to +85°C	1.8	5.0	V
		-25°C to +85°C	1.7	5.0	
		0°C to +85°C	1.65	5.00	
t <sub>RFC</sub>	V <sub>CC</sub> Recovery Time After Power Down	V <sub>CC</sub> =0V After Power Down, Rising to 0.5V	5		ms
V <sub>IN</sub>	Input Voltage <sup>(3)</sup>	/SR0	0	5	V
V <sub>OUT</sub>	Output Voltage	/RST1	0	5	V
I <sub>OL</sub>	DC Output Sink Current	/RST1, V <sub>CC</sub> =1.8V to 5.0V		+0.5	mA
T <sub>A</sub>	Free-Air Operating Temperature		-40	+85	°C
θ <sub>JA</sub>	Thermal Resistance			350	°C/W

### Note:

3. V<sub>CC</sub> should never be allowed to float while input pins are driven.

## DC Electrical Characteristics

Unless otherwise specified; conditions of  $T_A = -40$  to  $85^\circ\text{C}$  with  $V_{CC} = 1.8 - 5.0\text{V}$ , OR  $T_A = -25$  to  $85^\circ\text{C}$  with  $V_{CC} = 1.7 - 5\text{V}$ , OR  $T_A = 0$  to  $85^\circ\text{C}$  with  $V_{CC} = 1.65 - 5\text{V}$  produce the performance characteristics below.

Symbol	Parameter	Condition	Min.	Max.	Unit
$V_{IH}$	Input High Voltage (/SR0, DSR)	$4.2\text{V} < V_{CC} \leq 5.0\text{V}$	1.8V		V
		$1.8\text{V} \leq V_{CC} < 4.2\text{V}$	1.2V		
$V_{IL}$	Input Low Voltage (/SR0, DSR)			0.45	V
$V_{OL}$	Low Level Output Voltage	RST, $I_{OL} = 500\mu\text{A}$		0.3	V
$I_{IN}$	Input Leakage Current (/SR0, DSR)	$0\text{V} \leq V_{IN} \leq 5.0\text{V}$		$\pm 1.0$	$\mu\text{A}$
$I_{CC}$	Quiescent Supply Current (Timer Inactive)	/SR0, DSR= $V_{CC}$		1	$\mu\text{A}$
		/SR0=1.8V, DSR=GND $V_{CC} = 5\text{V}$		14	
		/SR0=1.2V, DSR=GND $V_{CC} = 4\text{V}$		11	
	Dynamic Supply Current (Timer Active)	/SR0, DSR=GND		100	$\mu\text{A}$

## AC Electrical Characteristics

Unless otherwise specified; conditions of  $T_A = -40$  to  $80^\circ\text{C}$  with  $V_{CC} = 1.8 - 5.0\text{V}$ , OR  $T_A = -25$  to  $85^\circ\text{C}$  with  $V_{CC} = 1.7 - 5\text{V}$ , OR  $T_A = 0$  to  $85^\circ\text{C}$  with  $V_{CC} = 1.65 - 5\text{V}$  produce the performance characteristics below.

Symbol	Parameter	Condition	Min.	Typ.	Max.	Unit
$t_{PHL1}$	Timer Delay, /SR0 to RST (DSR=0)	$C_L = 5\text{pF}$ , $R_L = 5\text{K}\Omega$ , See Figure 6	6.0	7.5	9.0	s
$t_{REC}$	Reset Timeout Delay		320	400	480	ms

## Capacitance Specifications

$T_A = +25^\circ\text{C}$ .

Symbol	Parameter	Condition	Typical	Unit
$C_{IN}$	Input Capacitance	$V_{CC} = \text{GND}$	4.0	pF
$C_{OUT}$	Output Capacitance	$V_{CC} = 5.0\text{V}$	5.0	pF

## Functional Description

Device default operation time  $N$  is 7.5s. If the DSR pin is pulled HIGH prior to  $V_{CC}$  ramp, the FTL7522 enters Test Mode and the reset output,  $/RST1$ , is immediately pulled LOW for factory testing. The DSR pin MUST be forced to GND during normal operation. The DSR pin should never be driven HIGH or left to float during normal operation. The DSR pin state should never be changed during device operation; it must be biased prior to supplying the  $V_{CC}$  supply. If there is a need to use the DSR= $V_{CC}$  Test Mode, the  $/SR0$  must be HIGH when the DSR pin is moved from LOW to HIGH to enter Zero-Second Factory-Test Mode. To return to the standard 7.5-second reset time, the same procedure must be followed with DSR=GND. The DSR pin should never be allowed to change state while the  $/SR0$  pin is LOW.

## Operation Modes

A low input signal on  $/SR0$  starts the oscillator. There are two scenarios for counting: short duration and long duration. In the short-duration scenario, output  $/RST1$  is not affected. In the long-duration scenario, the output  $/RST1$  goes LOW after  $/SR0$  has been held LOW for at least 7.5 seconds. The  $/RST1$  output returns to its

original HIGH state 400ms after time  $t_{REC}$  has expired, regardless of the state of  $/SR0$ . The  $/RST1$  output is an open-drain driver. When the count time exceeds 7.5 seconds, the  $/RST1$  output pulls LOW.

### Short Duration ( $t_w < 7.5s$ )

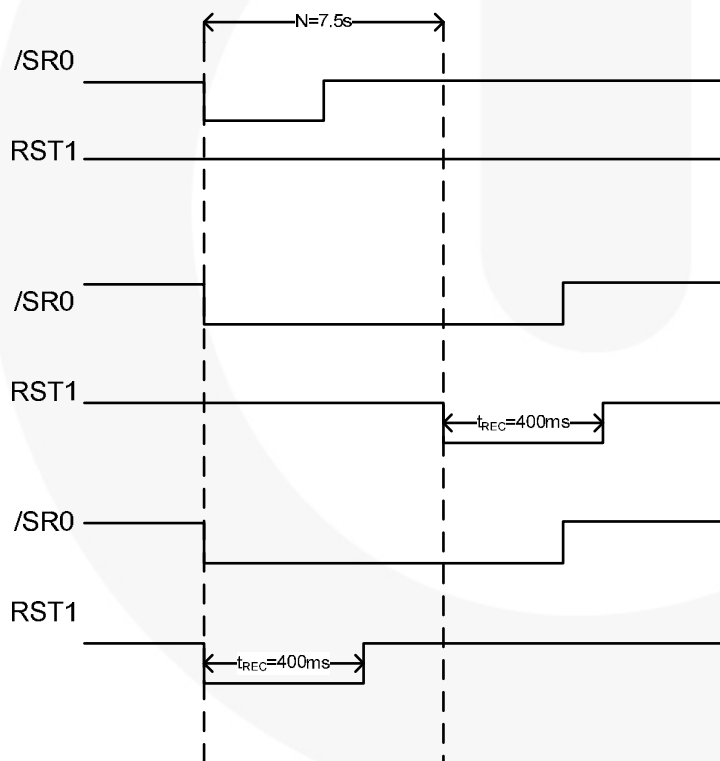
When the  $/SR0$  input goes LOW, the internal timer starts counting. If the  $/SR0$  input goes HIGH before 7.5s has elapsed, the timer stops counting and resets; no changes occur on the outputs.

### Long Duration ( $t_w > 7.5s$ )

When the  $/SR0$  input goes LOW, the internal timer starts counting. If the  $/SR0$  input stays LOW for at least 7.5s, the RST output is enabled and pulled LOW. The output RST is held LOW for  $t_{REC}$ , 400ms, as soon as the reset time of 7.5s is met, regardless of the state of the  $/SR0$  pin. When the  $/SR0$  input has returned HIGH and  $t_{REC}$  has expired, the internal timer resets and awaits the next RESET event.

### 0-Second Test Mode

$/RST1$  goes LOW immediately after  $/SR0$  goes LOW.



**Short-Duration, Normal Operation**  
 $/RST1$  never goes LOW because  $/SR0$  LOW duration did not meet requirement: reset time  $N=7.5s$

**Long-Duration, Normal Operation**  
 $/RST1$  goes LOW because  $/SR0$  LOW duration exceeded requirement: reset time  $N=7.5s$

**0-Second Factory-Test Mode**  
 $/RST1$  goes LOW immediately after  $/SR0$  goes LOW

Figure 3. Reset Timing Waveforms

### Application Diagram

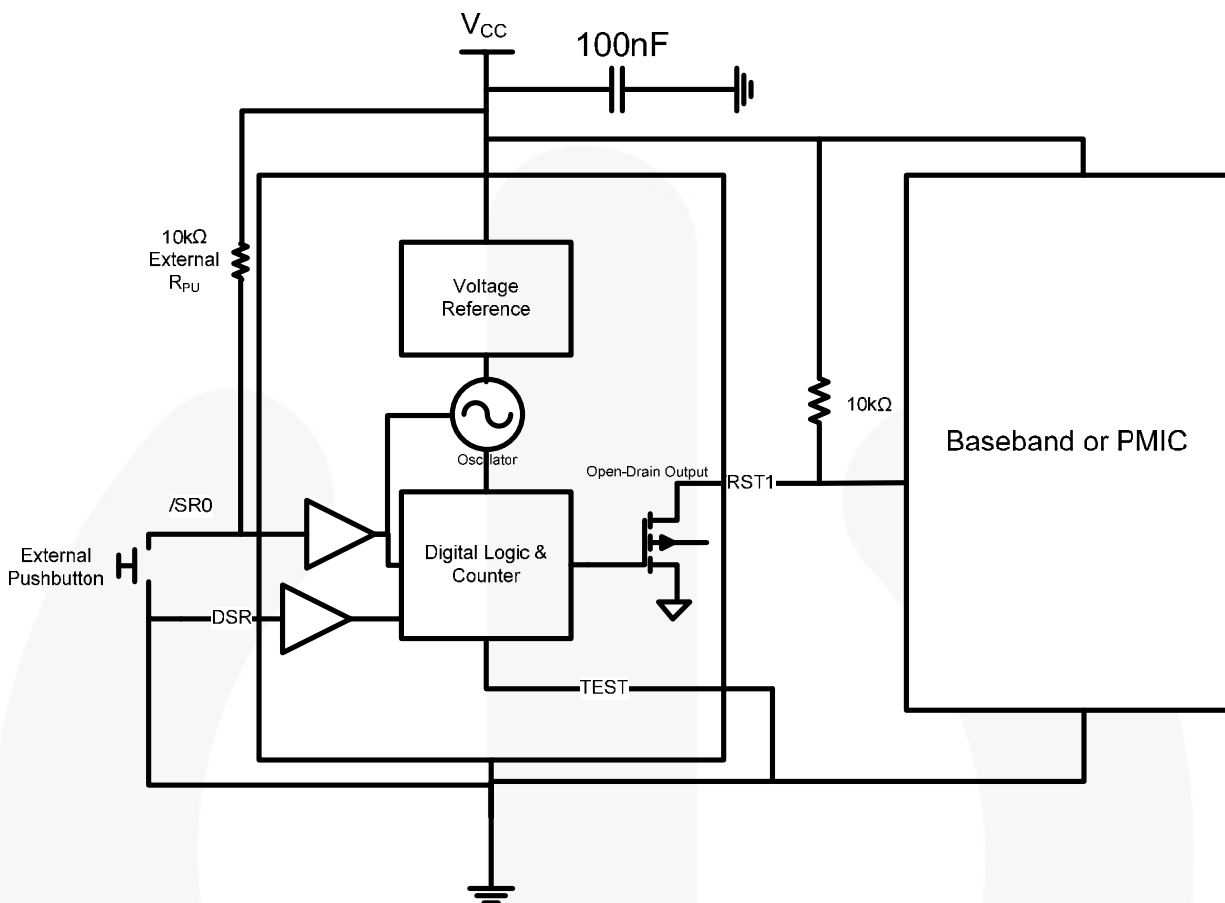


Figure 4. Recommended Application Diagram

### AC Test Circuit and Waveforms

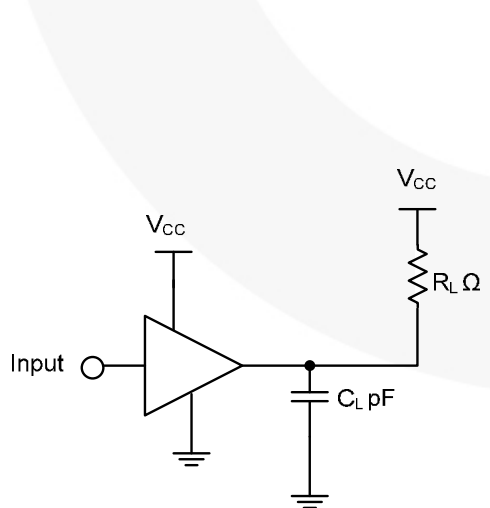


Figure 5. AC Test Circuit

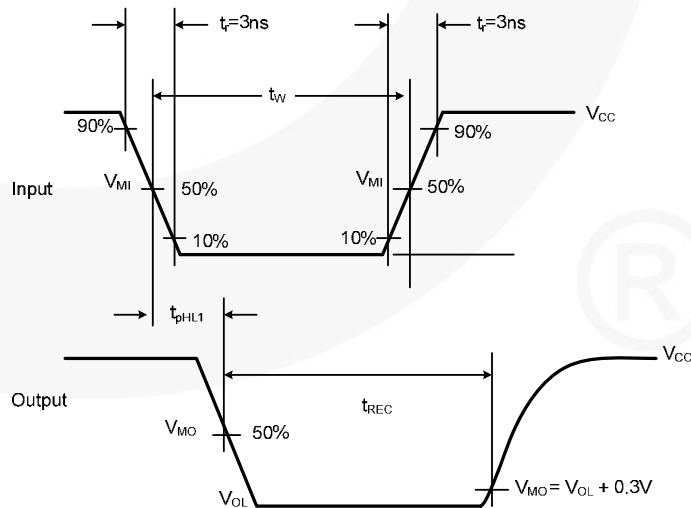
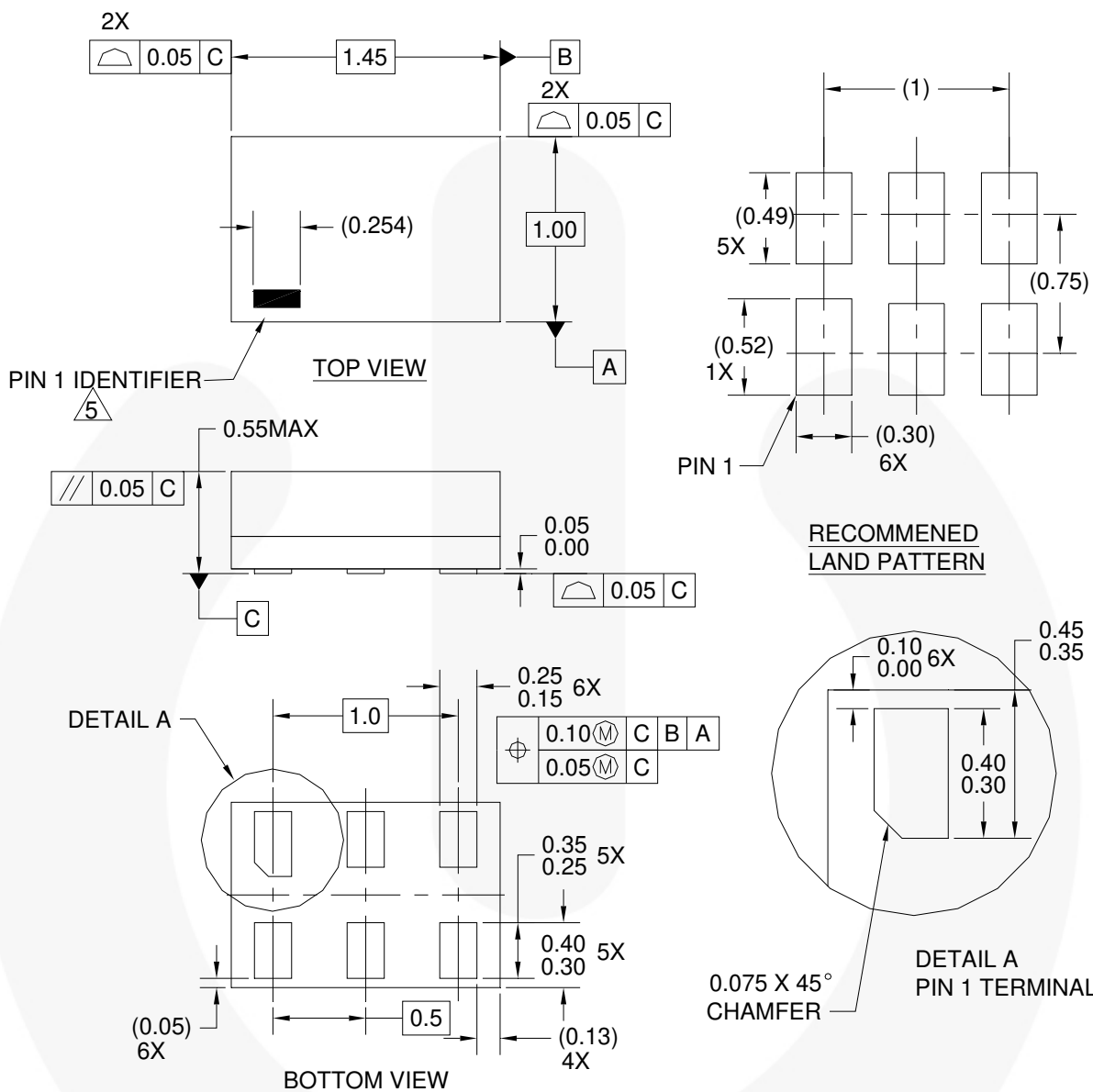


Figure 6. Waveforms for /RST1 Output

### Physical Dimensions



**Figure 7. 6-Lead MicroPak™ 1.0 x 1.45mm, JEDEC MO-252**


Package drawings are provided as a service to customers considering Fairchild components. Drawings may change in any manner without notice. Please note the revision and/or date on the drawing and contact a Fairchild Semiconductor representative to verify or obtain the most recent revision. Package specifications do not expand the terms of Fairchild's worldwide terms and conditions, specifically the warranty therein, which covers Fairchild products.

Always visit Fairchild Semiconductor's online packaging area for the most recent package drawings:  
<http://www.fairchildsemi.com/packaging/>.



**TRADEMARKS**

The following includes registered and unregistered trademarks and service marks, owned by Fairchild Semiconductor and/or its global subsidiaries, and is not intended to be an exhaustive list of all such trademarks.

- |  |   |   |   |
|--|---|---|---|
| 2Cool™   | F-PFS™  | PowerTrench®  | The Power Franchise®  |
| AccuPower™   | FRFET®  | PowerXS™  | the power franchise™  |
| AX-CAP™*   | Global Power Resource™  | Programmable Active Droop™  | TinyBoost™  |
| BitSiC™  | GreenBridge™  | QFET®   | TinyBuck™   |
| Build it Now™  | Green FPS™  | QS™   | TinyCalc™   |
| CorePLUS™  | Green FPS™ e-Series™  | Quiet Series™   | TinyLogic®  |
| CorePOWER™   | Gmax™   | RapidConfigure™   | TINYOPTO™   |
| CROSSVOLT™   | GTO™  |  ™ | TinyPower™  |
| CTL™   | IntelliMAX™   | Saving our world, 1mW/W/kW at a time™   | TinyPWM™  |
| Current Transfer Logic™  | ISOPLANAR™  | SignalWise™   | TinyWire™   |
| DEUXPEED®  | Making Small Speakers Sound Louder and Better™                                      | SmartMax™   | TranSiC™  |
| Dual Cool™   | MegaBuck™   | SMART START™  | TriFault Detect™  |
| EcoSPARK®  | MICROCOUPLER™   | Solutions for Your Success™   | TRUECURRENT®*   |
| EfficientMax™  | MicroFET™   | SPM®  | µSerDes™  |
| ESBC™  | MicroPak™   | STEALTH™  |  ™ |
|  Fairchild® | MicroPak2™  | SuperFET®   | UHC®  |
| Fairchild Semiconductor®   | MillerDrive™  | SuperSOT™-3   | Ultra FRFET™  |
| FACT Quiet Series™   | MotionMax™  | SuperSOT™-6   | UniFET™   |
| FACT®  | mWSaver™  | SuperSOT™-8   | VCX™  |
| FAST®  | OptoHiT™  | SupreMOS®   | VisualMax™  |
| FastvCore™   | OPTOLOGIC®  | SyncFET™  | VoltagePlus™  |
| FETBench™  | OPTOPLANAR®   | Sync-Lock™  | XS™   |
| FlashWriter®*  |  ™ |  ™ |   |
| FPS™   |   |   |   |

\* Trademarks of System General Corporation, used under license by Fairchild Semiconductor.

**DISCLAIMER**

FAIRCHILD SEMICONDUCTOR RESERVES THE RIGHT TO MAKE CHANGES WITHOUT FURTHER NOTICE TO ANY PRODUCTS HEREIN TO IMPROVE RELIABILITY, FUNCTION, OR DESIGN. FAIRCHILD DOES NOT ASSUME ANY LIABILITY ARISING OUT OF THE APPLICATION OR USE OF ANY PRODUCT OR CIRCUIT DESCRIBED HEREIN; NEITHER DOES IT CONVEY ANY LICENSE UNDER ITS PATENT RIGHTS, NOR THE RIGHTS OF OTHERS. THESE SPECIFICATIONS DO NOT EXPAND THE TERMS OF FAIRCHILD'S WORLDWIDE TERMS AND CONDITIONS, SPECIFICALLY THE WARRANTY THEREIN, WHICH COVERS THESE PRODUCTS.

**LIFE SUPPORT POLICY**

FAIRCHILD'S PRODUCTS ARE NOT AUTHORIZED FOR USE AS CRITICAL COMPONENTS IN LIFE SUPPORT DEVICES OR SYSTEMS WITHOUT THE EXPRESS WRITTEN APPROVAL OF FAIRCHILD SEMICONDUCTOR CORPORATION.

As used herein:

1. Life support devices or systems are devices or systems which, (a) are intended for surgical implant into the body or (b) support or sustain life, and (c) whose failure to perform when properly used in accordance with instructions for use provided in the labeling, can be reasonably expected to result in a significant injury of the user.
2. A critical component in any component of a life support, device, or system whose failure to perform can be reasonably expected to cause the failure of the life support device or system, or to affect its safety or effectiveness.

**ANTI-COUNTERFEITING POLICY**

Fairchild Semiconductor Corporation's Anti-Counterfeiting Policy. Fairchild's Anti-Counterfeiting Policy is also stated on our external website, [www.fairchildsemi.com](http://www.fairchildsemi.com), under Sales Support.

Counterfeiting of semiconductor parts is a growing problem in the industry. All manufacturers of semiconductor products are experiencing counterfeiting of their parts. Customers who inadvertently purchase counterfeit parts experience many problems such as loss of brand reputation, substandard performance, failed applications, and increased cost of production and manufacturing delays. Fairchild is taking strong measures to protect ourselves and our customers from the proliferation of counterfeit parts. Fairchild strongly encourages customers to purchase Fairchild parts either directly from Fairchild or from Authorized Fairchild Distributors who are listed by country on our web page cited above. Products customers buy either from Fairchild directly or from Authorized Fairchild Distributors are genuine parts, have full traceability, meet Fairchild's quality standards for handling and storage and provide access to Fairchild's full range of up-to-date technical and product information. Fairchild and our Authorized Distributors will stand behind all warranties and will appropriately address any warranty issues that may arise. Fairchild will not provide any warranty coverage or other assistance for parts bought from Unauthorized Sources. Fairchild is committed to combat this global problem and encourage our customers to do their part in stopping this practice by buying direct or from authorized distributors.

**PRODUCT STATUS DEFINITIONS**

**Definition of Terms**

Datasheet Identification	Product Status	Definition
Advance Information	Formative / In Design	Datasheet contains the design specifications for product development. Specifications may change in any manner without notice.
Preliminary	First Production	Datasheet contains preliminary data; supplementary data will be published at a later date. Fairchild Semiconductor reserves the right to make changes at any time without notice to improve design.
No Identification Needed	Full Production	Datasheet contains final specifications. Fairchild Semiconductor reserves the right to make changes at any time without notice to improve the design.
Obsolete	Not In Production	Datasheet contains specifications on a product that is discontinued by Fairchild Semiconductor. The datasheet is for reference information only.

Rev. I62