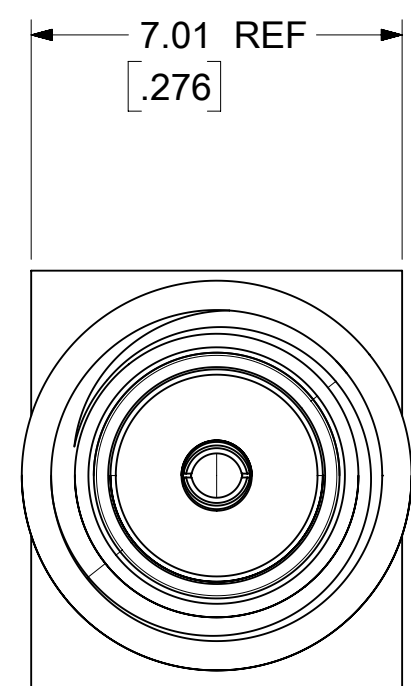
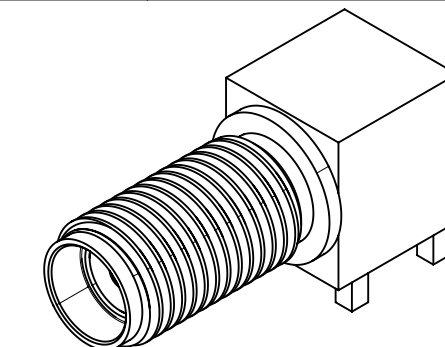


MATERIALS AND FINISHES

BODY, HOUSING BRASS
PLATED NICKEL

CENTER CONTACT BERYLLIUM COPPER
PLATED GOLD

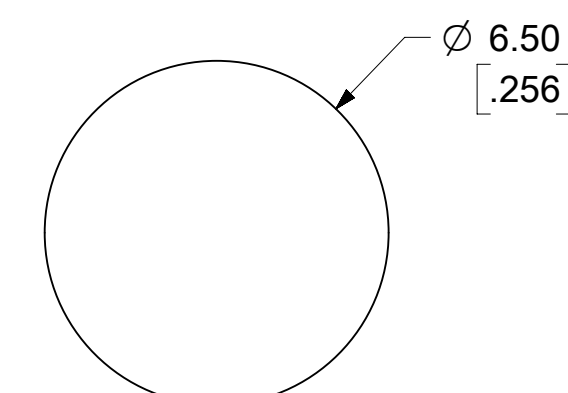
INSULATOR TEFLON



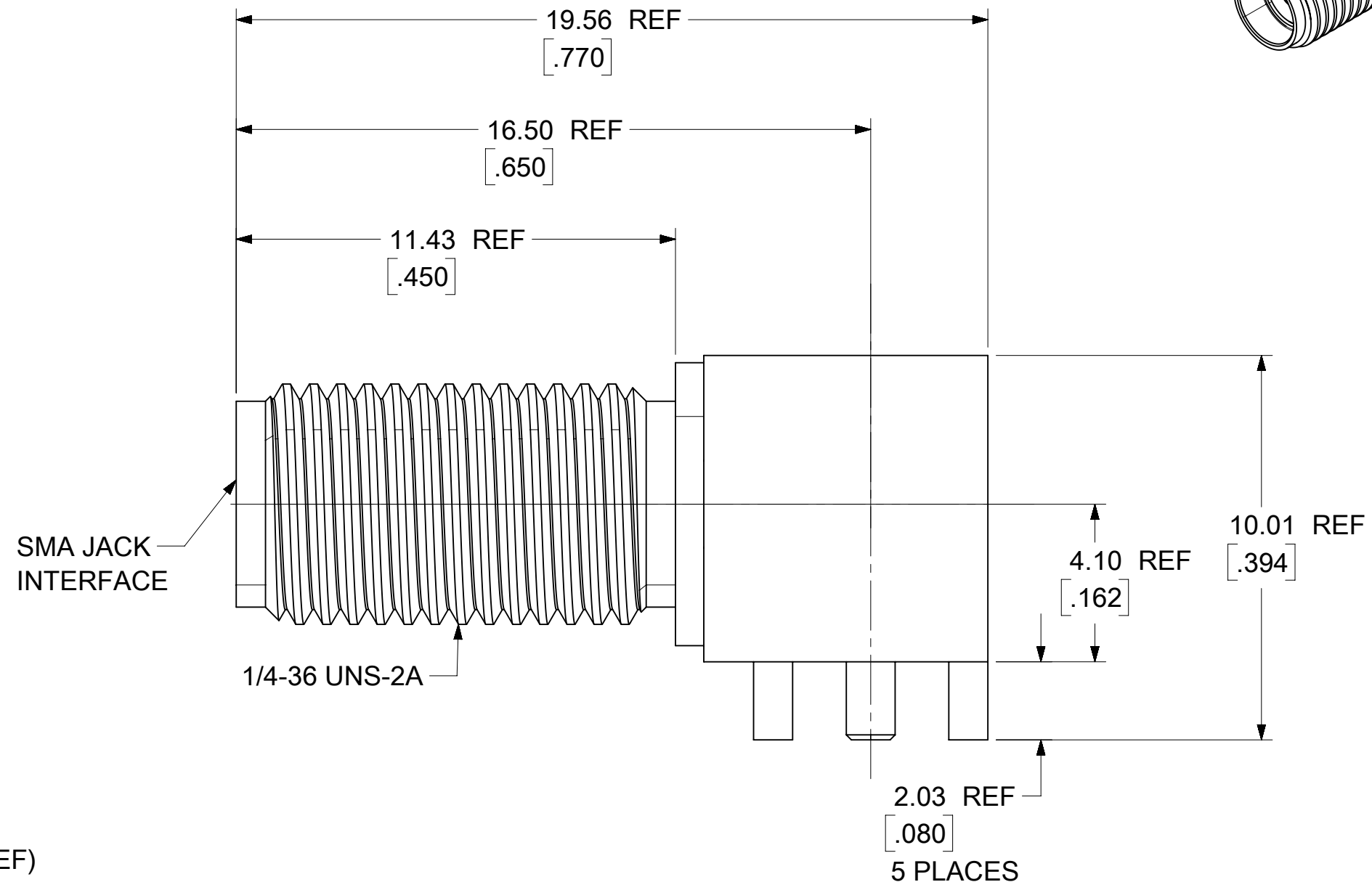
7.01 REF
[.276]

1.02 SQ
[.040]
4 PLACES (REF)

Ø 1.27 REF
[.050]



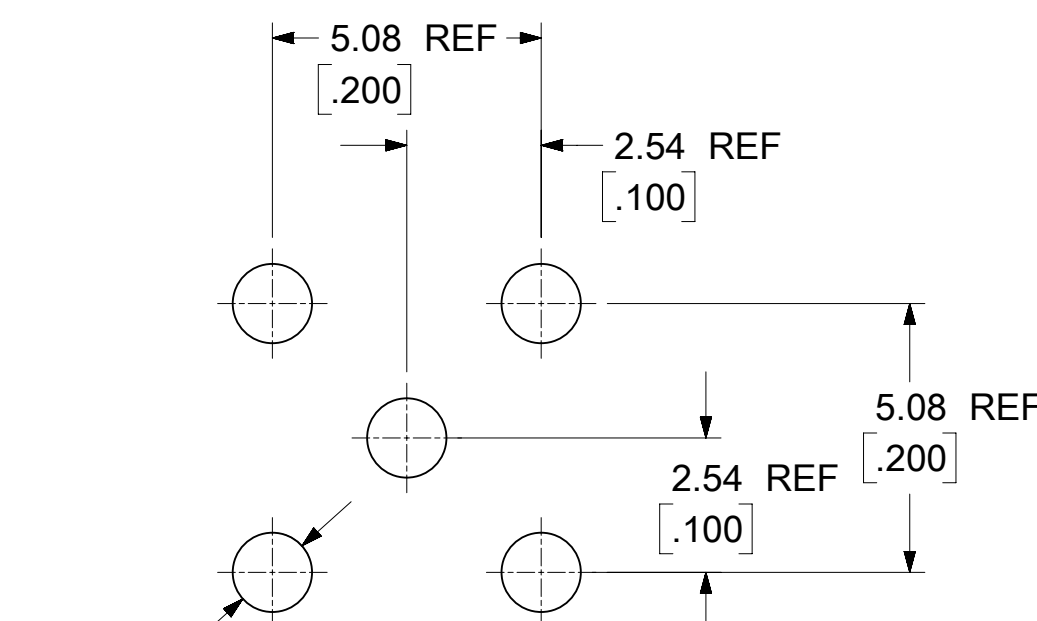
RECOMMENDED PANEL HOLE



SMA JACK INTERFACE

1/4-36 UNS-2A

2.03 REF
[.080]
5 PLACES



RECOMMENDED PCB HOLE CONFIGURATION

Ø 1.50 REF
[.059]
5 PLACES

PS-89675-3460	PRODUCT SPEC
MIL-STD-348A, FIG. 310.2	INTERFACE
SPECIFICATION	DESCRIPTION

THIS DRAWING CONTAINS INFORMATION THAT IS PROPRIETARY TO MOLEX ELECTRONIC TECHNOLOGIES, LLC AND SHOULD NOT BE USED WITHOUT WRITTEN PERMISSION

DIMENSION UNITS	SCALE	CURRENT REV DESC: MIGRATED TO NX		molex			
HYBRID	7:1						
GENERAL TOLERANCES (UNLESS SPECIFIED)		EC NO: 602312		SMA JACK R/A 50 OHMS FOR PCB SMA-J/R/A/PCB			
ANGULAR TOL	± 2.0°	DRWN: ABN	2018/02/20				
4 PLACES	±	CHK'D: CWEI02	2018/08/03	PRODUCT CUSTOMER DRAWING			
3 PLACES	±	APPR: YCHENG	2018/08/03				
2 PLACES	±	INITIAL REVISION:		DOCUMENT NUMBER			
1 PLACE	±	DRWN: ELIN	2010/11/24				SD-73251-549
0 PLACES	±	APPR: MHUANG	2010/12/06	DOC TYPE	DOC PART	REVISION	
DRAFT WHERE APPLICABLE MUST REMAIN WITHIN DIMENSIONS		THIRD ANGLE PROJECTION	DRAWING	SERIES	MATERIAL NUMBER	CUSTOMER	SHEET NUMBER
			C-SIZE	73251	732515490	GENERAL MARKET	1 OF 1

DOCUMENT STATUS	P1	RELEASE DATE	2018/08/03	06:08:05
-----------------	----	--------------	------------	----------