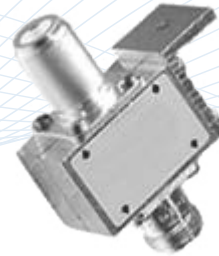


Broadband DC Blocked Protector

DC blocked 50 ohm bulkhead mounted protector is ideal for two way radio and SCADA applications.

PCT-BWS07



Features

- Ideal for HF, UHF, VHF radios
- DC blocked gas tube design
- No DC continuity between center pins
- Multi-strike capability

Standards and Certificates

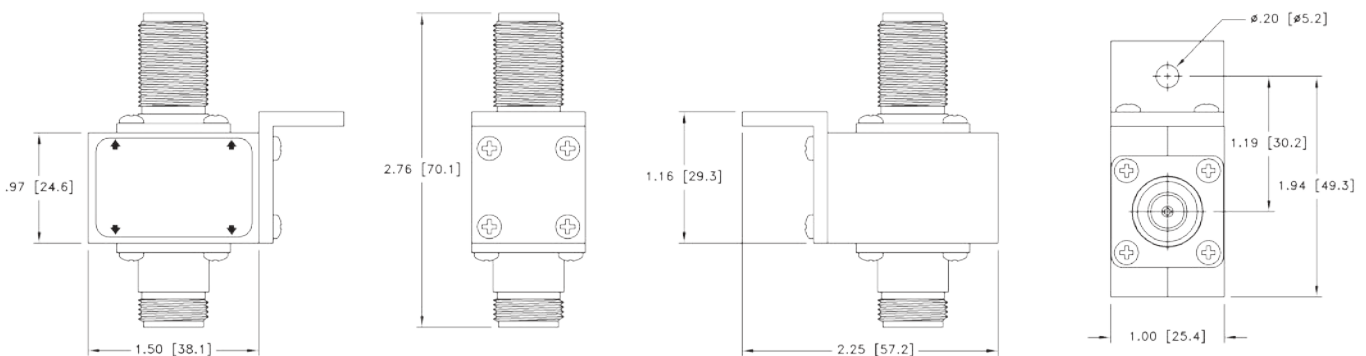
- RoHS compliant

Technical Data

Mount Type	Bulkhead
Protected Side Connector	N Female
Surge Side Connector	N Female
Turn On Voltage	600 VDC \pm 20%
RF Power	VHF 375 W, UHF 125 to 50 W

Mechanical Specifications

Model	PCT-BWS07
Frequency Range	1.5-1000 MHz
VSWR	\leq 1.1:1 over frequency range
Insertion Loss	\leq 0.1 dB
Operating Temperature	-45°C to 85°C



CONTACT US

For more information about
this product contact us

> pctel.com/contact

Solving Complex Wireless Challenges

PCTEL is a leading global provider of wireless technology solutions, including purpose-built Industrial IoT devices, antenna systems, and test and measurement products. Trusted by our customers for 29 years, we solve complex wireless challenges to help organizations stay connected, transform, and grow.



PCTEL, Inc.

T: +1 630 372 6800 | pctel.com