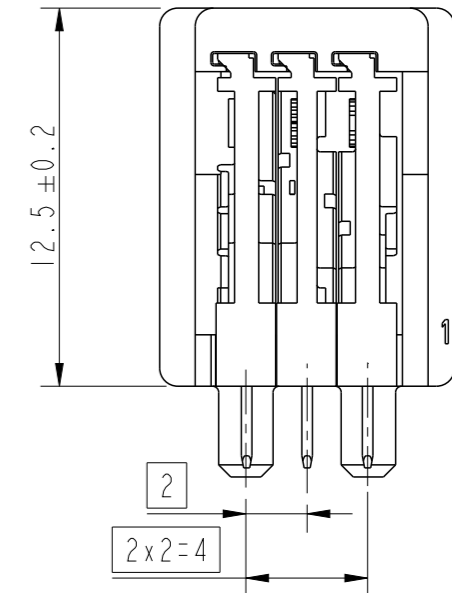
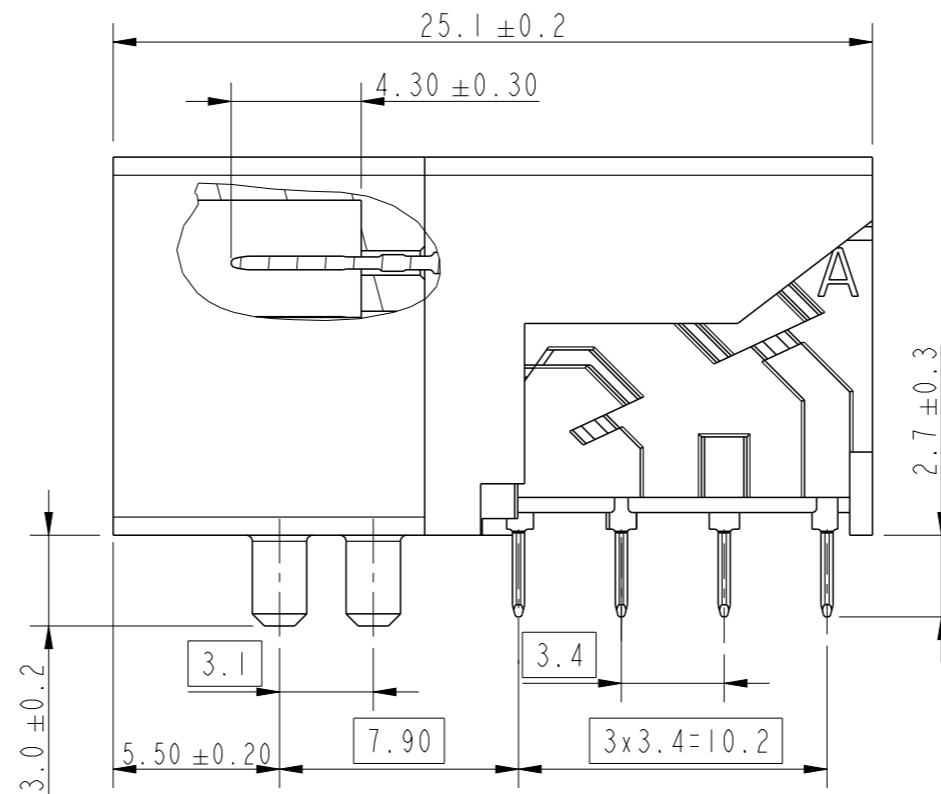
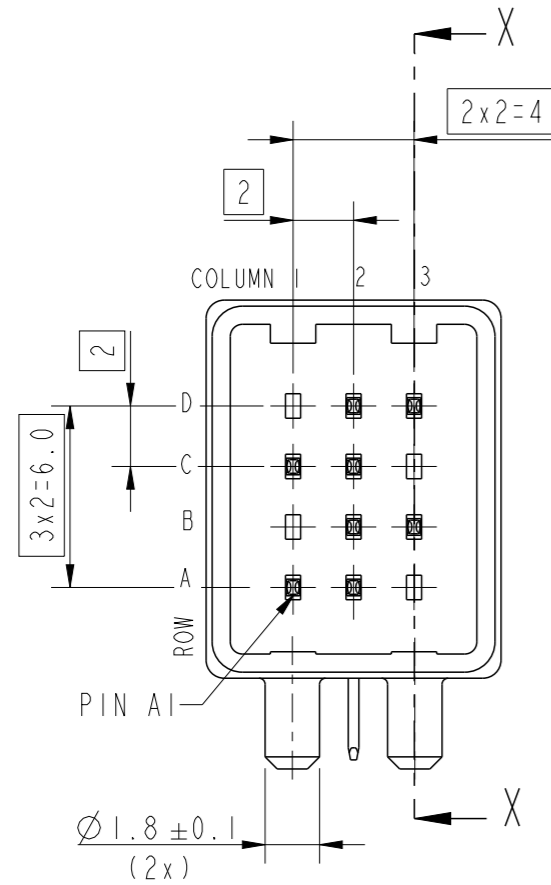
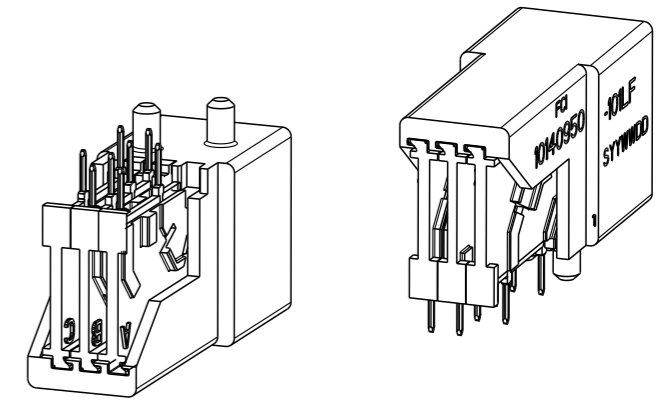
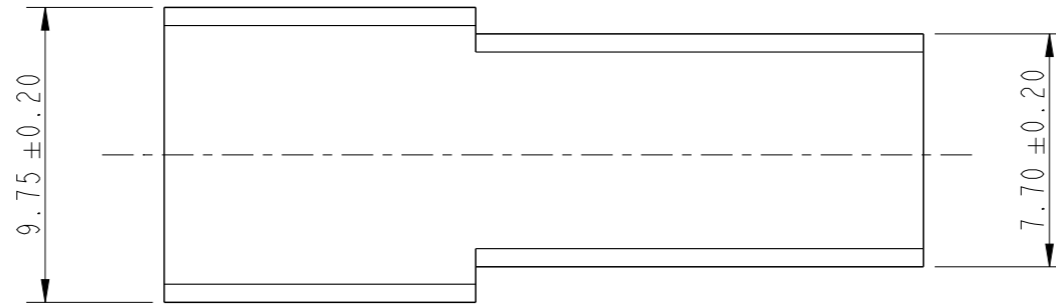


PRODUCT NUMBER
SEE TABLE

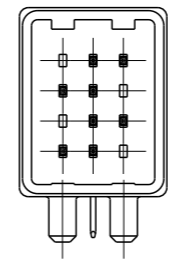
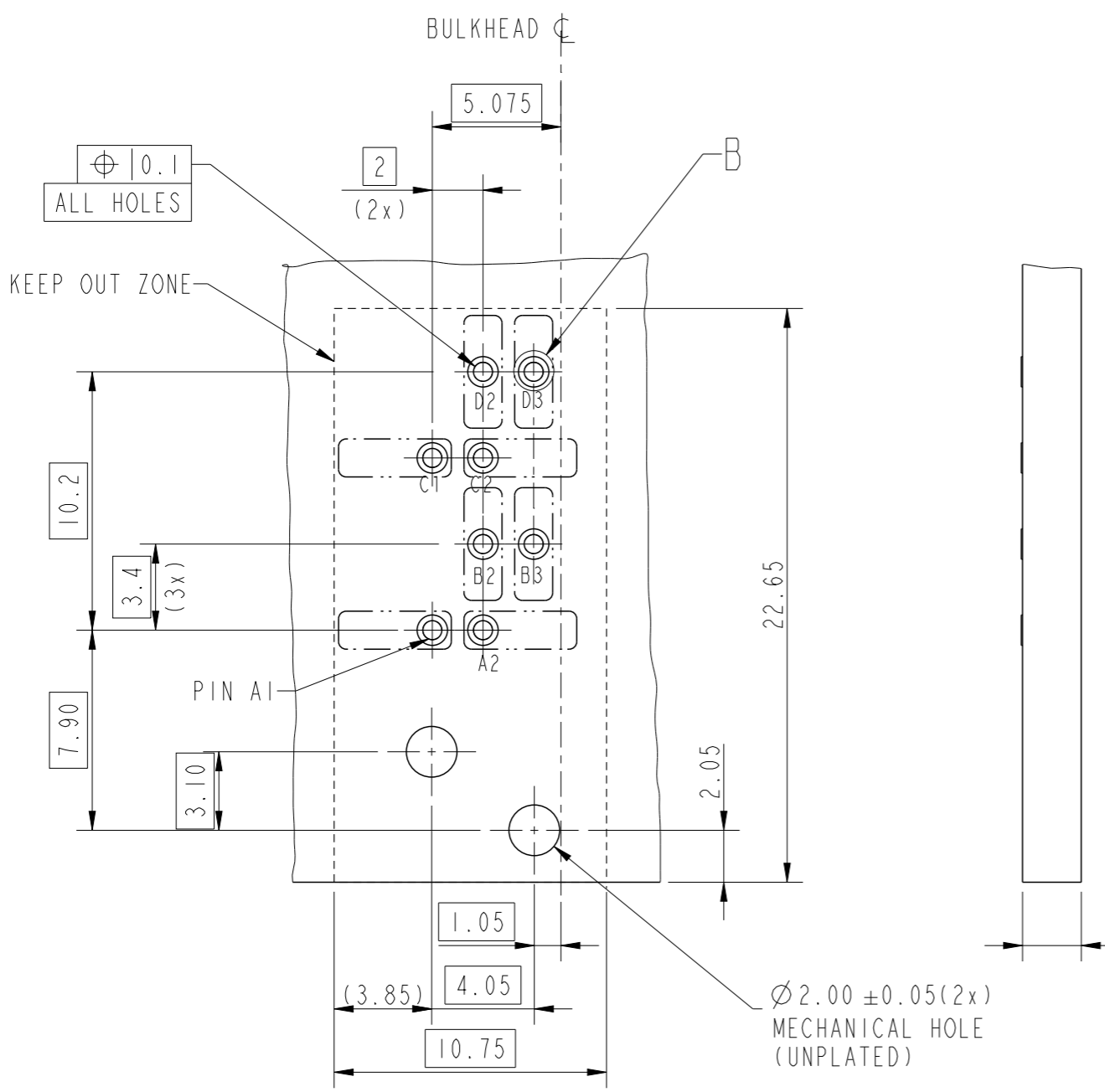
(SEE NOTE 8, SHEET 6)



AFCI PART NO	ROW	COLUMN 1	COLUMN 2	COLUMN 3
10140950-101LF	D	-	x	x
	C	x	x	-
	B	-	x	x
	A	x	x	-
10140950-102LF	D	x	x	x
	C	x	x	-
	B	x	x	x
	A	x	x	-
10140950-103LF	D	x	x	x
	C	x	x	x
	B	x	x	x
	A	x	x	x

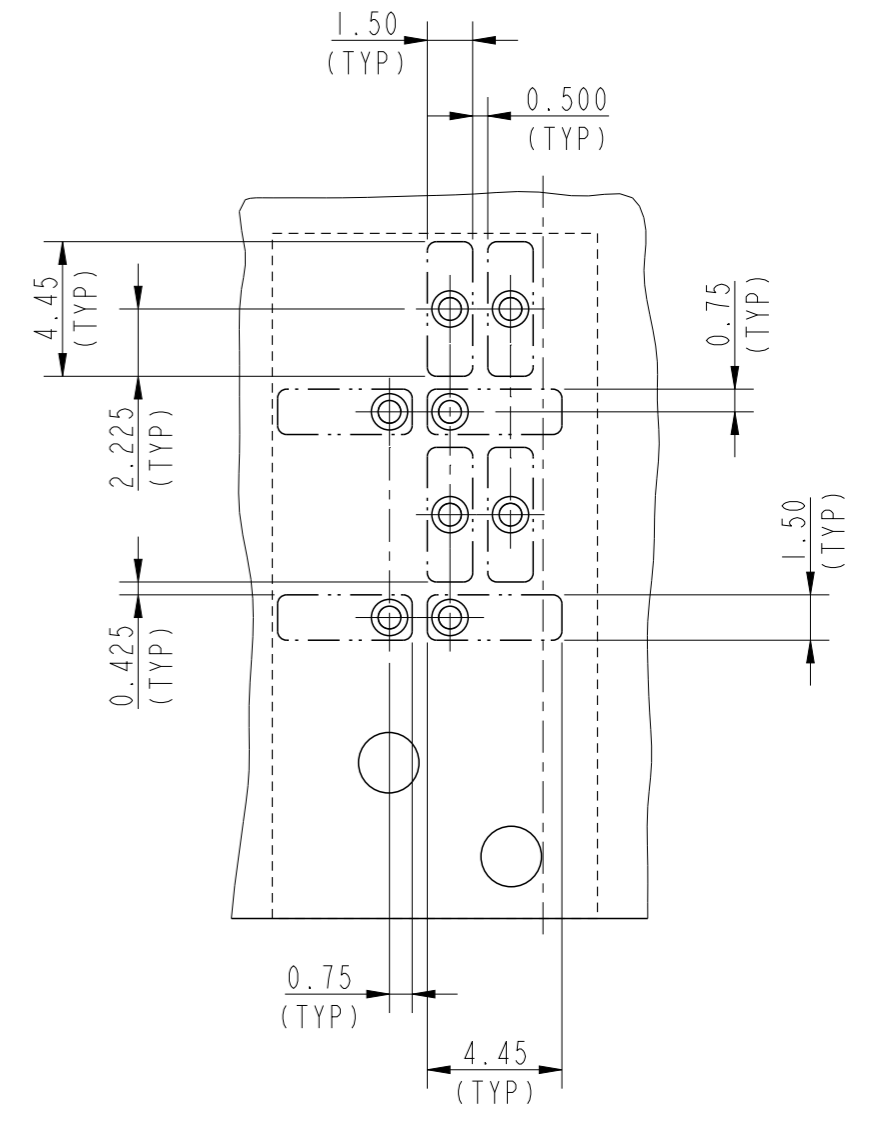
spec ref	-	dr	Jibin John	2017/09/26	projection	mm	size	A3	scale	2:1
tolerance std	ISO 406 ISO 1101	eng	Stalin Alosius	2017/10/16			ecn no	-	rel level	Released
TOLERANCES UNLESS OTHERWISE SPECIFIED		chr	-	app						
surface	linear	0.X	±0.3	Amphenol FCI		VERIO SIGNAL RA BOARD CONNECTOR WITH PIP TERMINATION		dwg no 10140950	rev A	
		0.XX	±0.10							
		0.XXX	±0.050							
	angular	0°	±2°	cat. no.	-	Product - Customer Drw		sheet 1 of 6		

VIEW FROM COMPONENT SIDE P/N 10140950-101LF

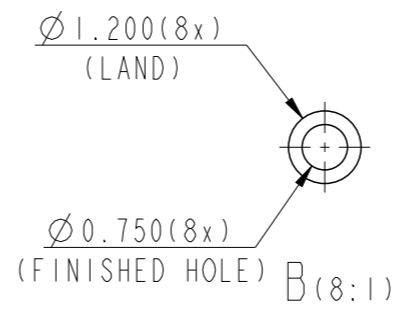


P/N 10140950-101LF
(8 POS. SIGNAL)

SOLDER PAD DIMENSIONS



PTH



1.6~2.4(±10%)
(PCB THICKNESS)

Ø2.00 ±0.05(2x)
MECHANICAL HOLE
(UNPLATED)

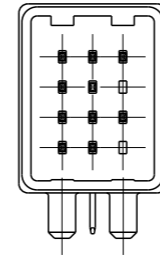
SIGNAL PTH DETAILS	
DRILLED HOLE	0.82-0.87mm
COPPER PLATING	25-50µm
TIN PLATING	0.8-1.2µm
FINISHED HOLE DIA	0.70-0.80mm

spec ref	-	dr	Jibin John	2017/09/26
tolerance std	ISO 406 ISO 1101	eng	Stalin Alosius	2017/10/16
	TOLERANCES UNLESS OTHERWISE SPECIFIED	chr	-	-
surface		ISO 1302	appr	K-Paul Biju
	linear	0.X	±0.3	Amphenol FCi
		0.XX	±0.10	
		0.XXX	±0.050	
	angular	0°	±2°	

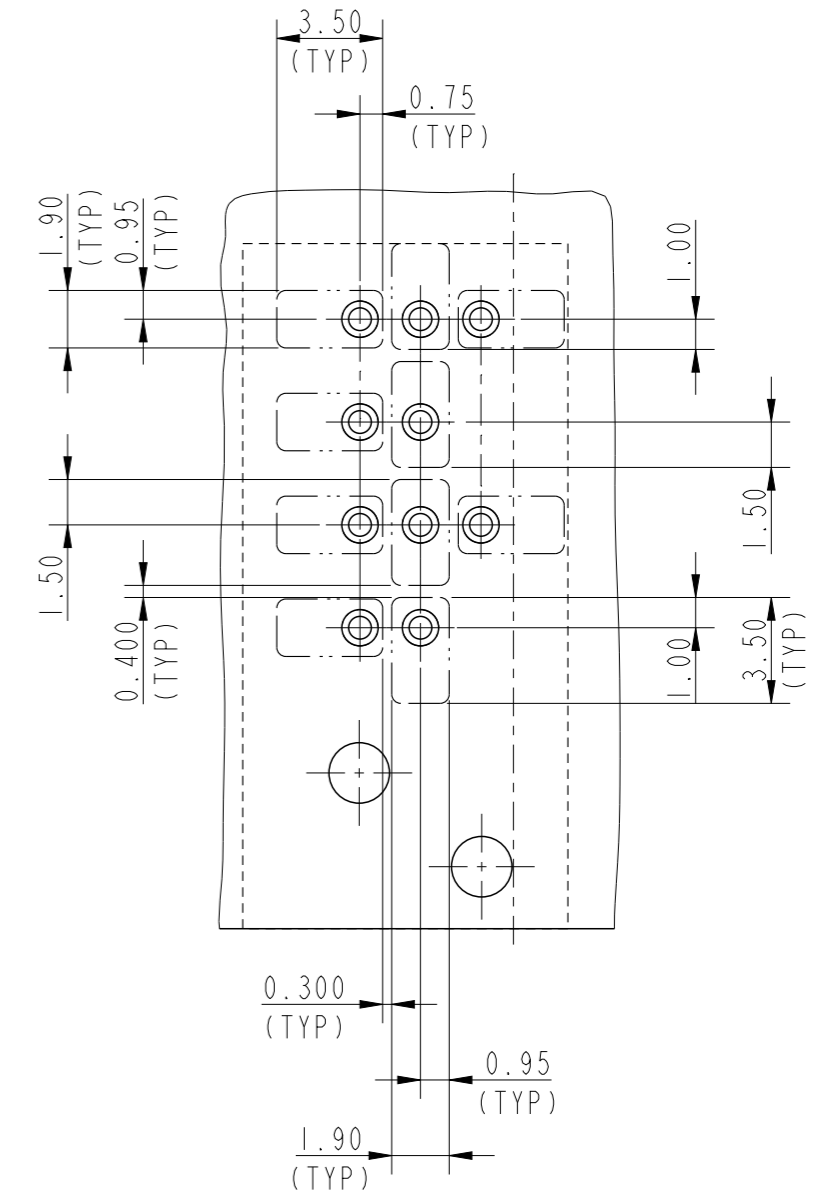
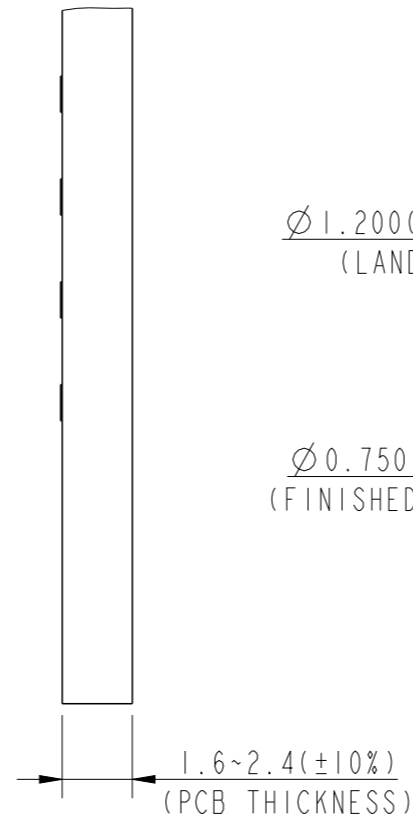
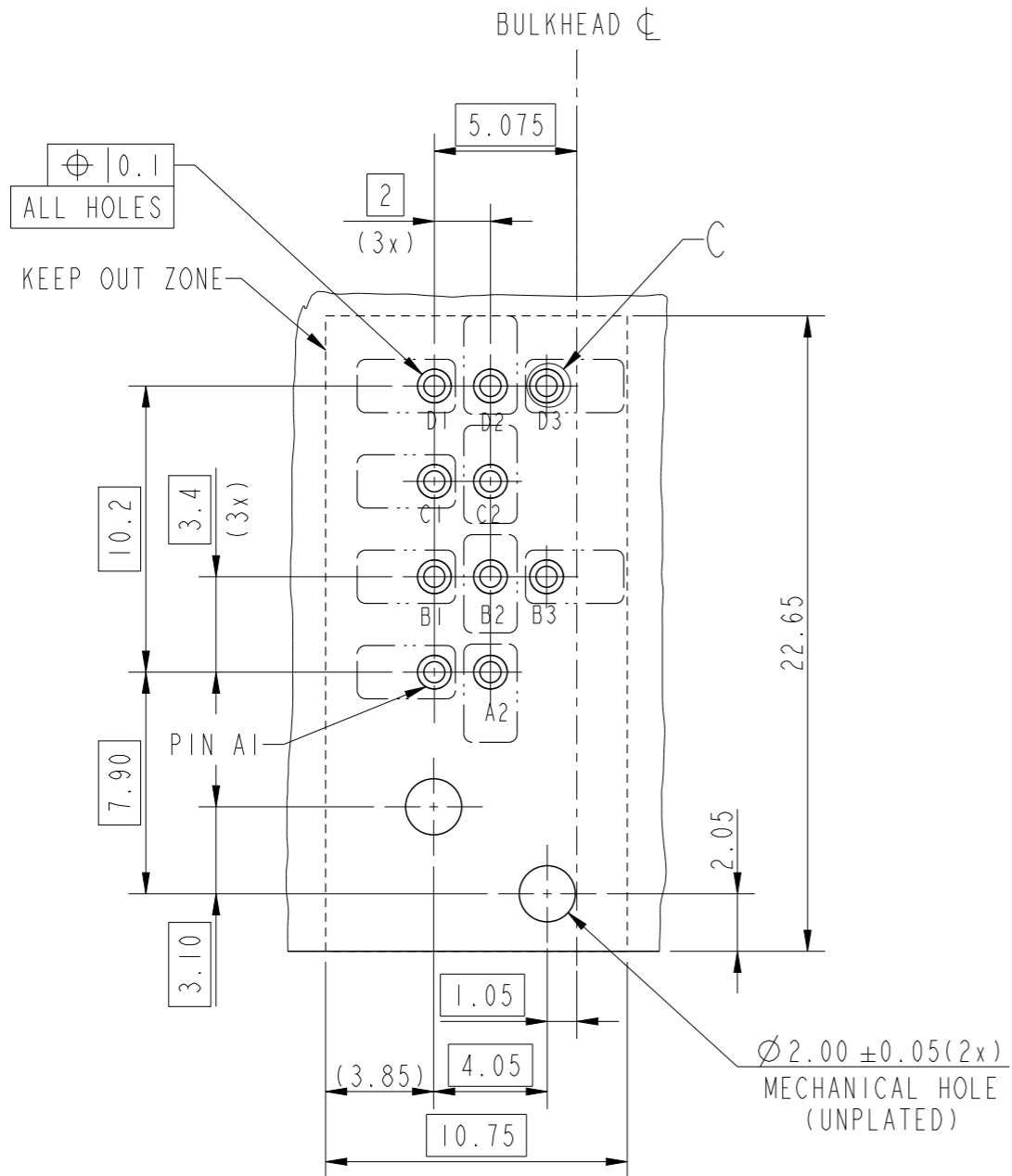
projection	mm	size	A3	scale	1:1
product family		ecn no	-	rel level	Released
VERIO SIGNAL RA BOARD CONNECTOR WITH PIP TERMINATION	dwg no	10140950	rev	A	
cat. no.	-	Product - Customer Drw	sheet 2 of 6		

VIEW FROM COMPONENT SIDE P/N 10140950-102LF

SOLDER PAD DIMENSIONS



P/N 10140950-102LF
(10 POS. SIGNAL)



Amphenol
FCi

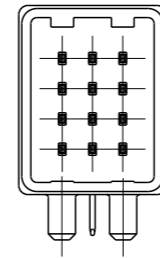
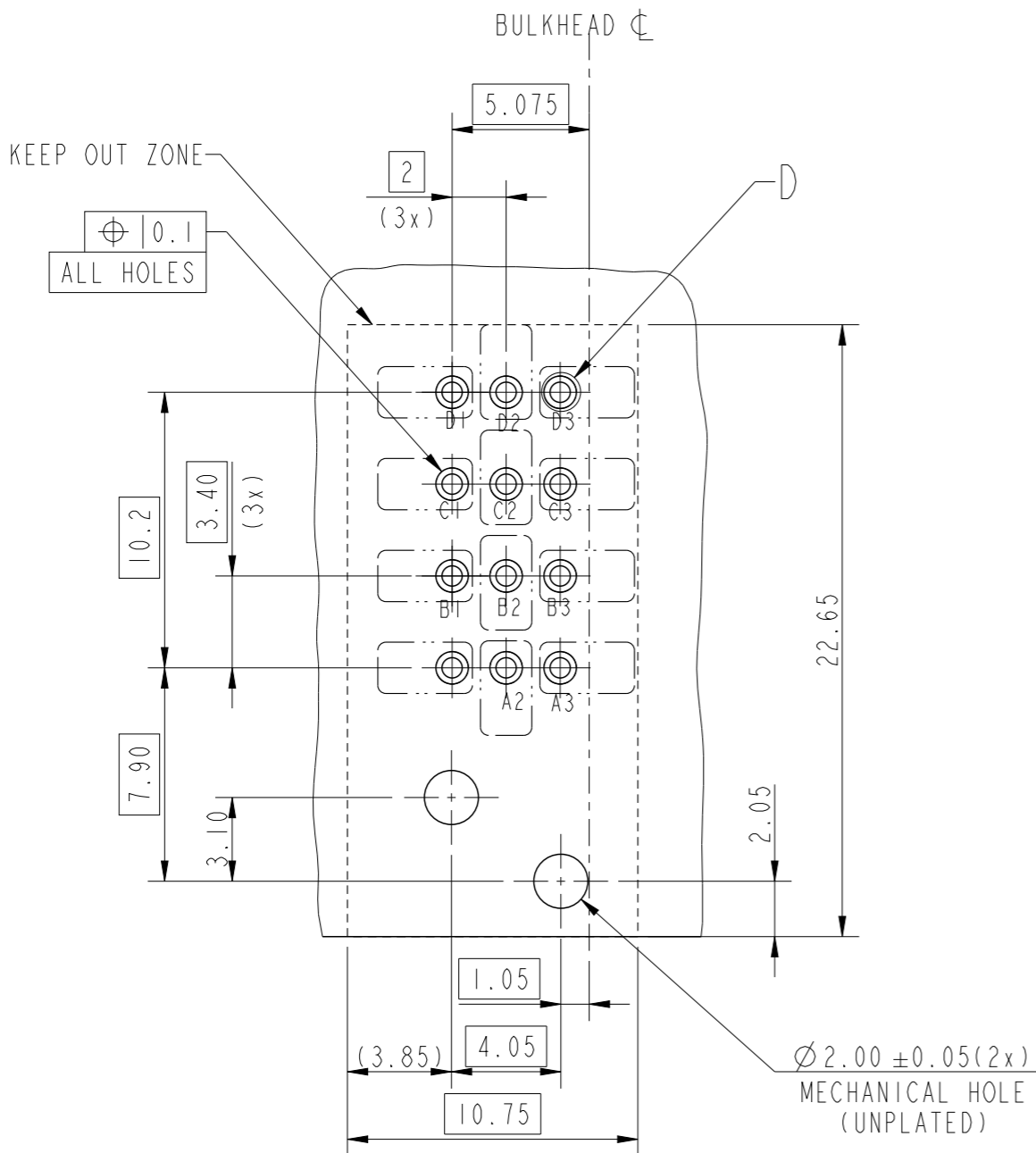
© 2016 AFCI

SIGNAL PTH DETAILS	
DRILLED HOLE	0.82-0.87mm
COPPER PLATING	25-50 μ m
TIN PLATING	0.8-1.2 μ m
FINISHED HOLE DIA	0.70-0.80mm

spec ref	-	dr	Jibin John	2017/09/26
tolerance std	ISO 406 ISO 1101	eng	Stalin Alosius	2017/10/16
TOLERANCES UNLESS OTHERWISE SPECIFIED		chr	-	-
		appr	K-Paul Biju	2017/10/16
surface	linear	0.X	± 0.3	Amphenol FCi
	angular	0°	$\pm 2^\circ$	

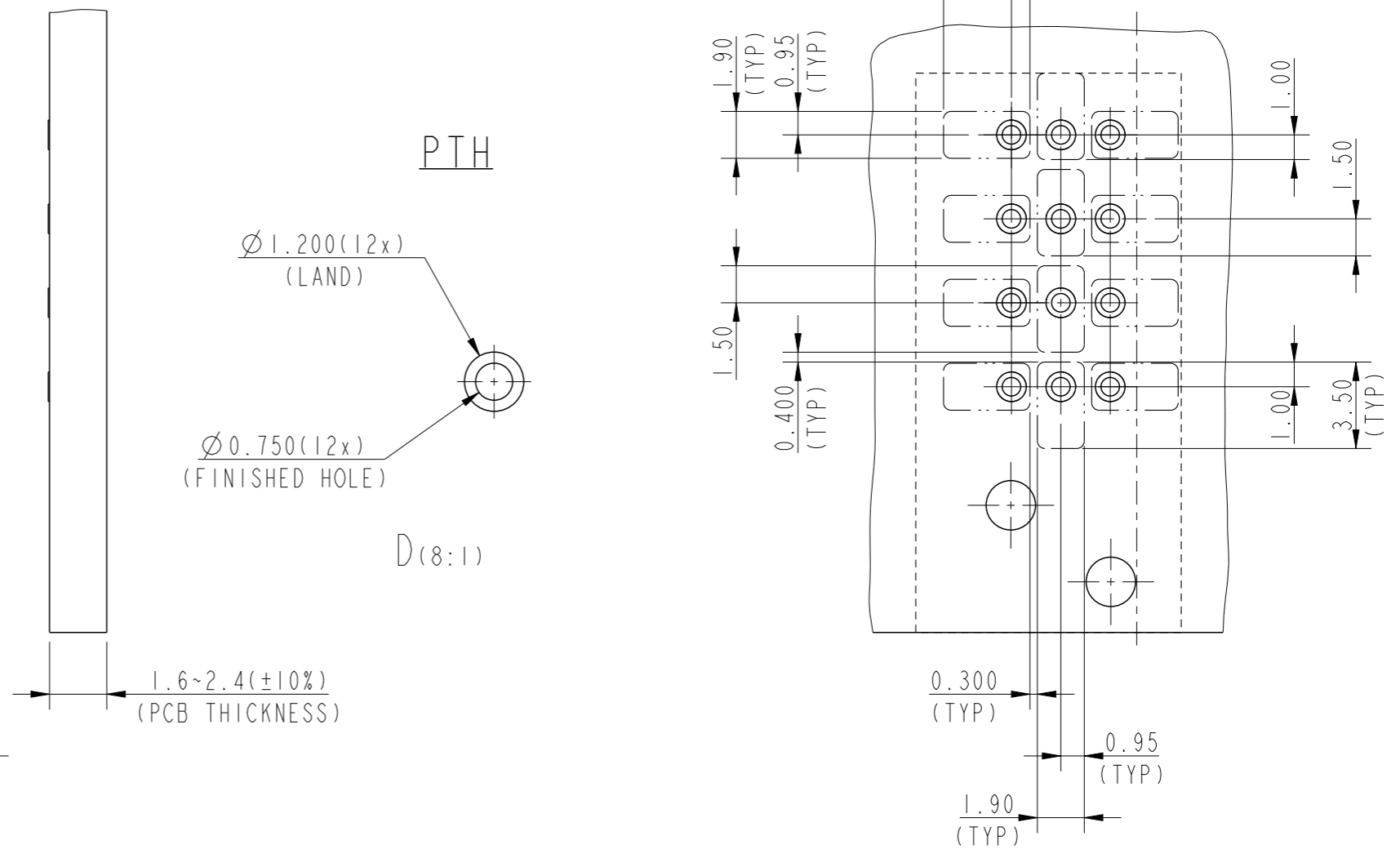
projection	ϕ \leftarrow	size	A3	scale	1:1
mm	\longleftrightarrow	ecn no	-	rel level	Released
product family	VERIO SIGNAL RA BOARD CONNECTOR		dwg no	10140950	rev
	WITH PIP TERMINATION				A
cat. no.	Product - Customer Drw		sheet 3 of 6		

VIEW FROM COMPONENT SIDE P/N 10140950-103LF



P/N 10140950-103LF
(12 POS. SIGNAL)

SOLDER PAD DIMENSIONS



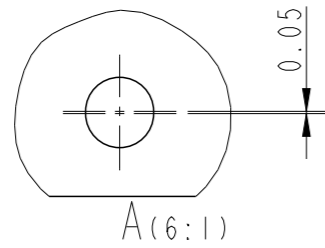
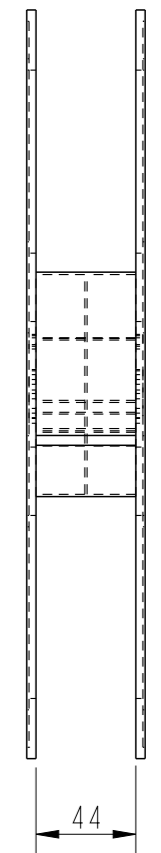
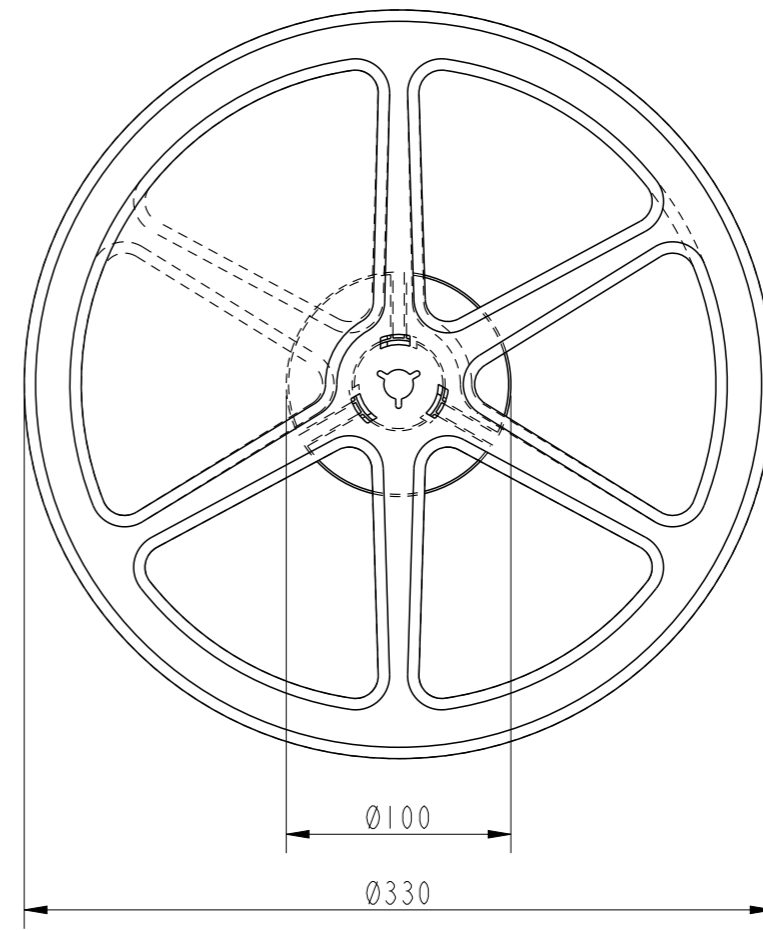
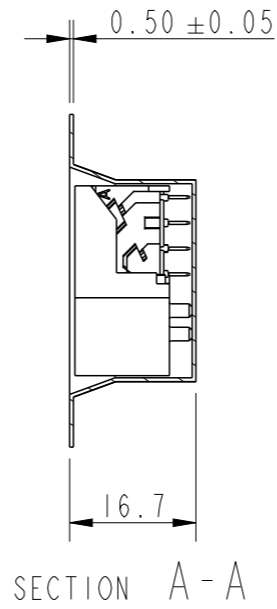
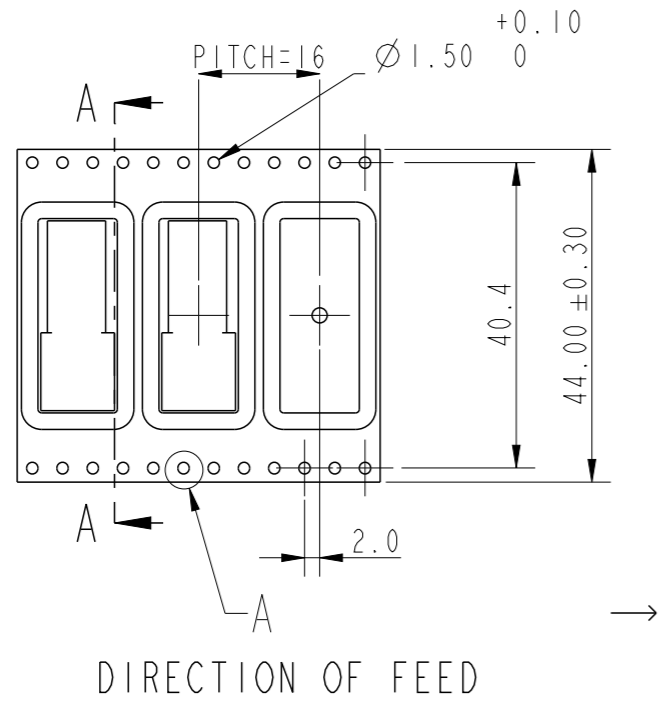
Amphenol
FCi

© 2016 AFCI

SIGNAL PTH DETAILS	
DRILLED HOLE	0.82-0.87mm
COPPER PLATING	25-50 μ m
TIN PLATING	0.8-1.2 μ m
FINISHED HOLE DIA	0.70-0.80mm

spec ref	-	dr	Jibin John	2017/09/26	projection	mm	size	A3	scale	1:1
tolerance std	ISO 406 ISO 1101	eng	Stalin Alosius	2017/10/16		← →	ecn no	-	rel level	Released
TOLERANCES UNLESS OTHERWISE SPECIFIED		chr	-	-			product family	VERIO SIGNAL RA BOARD CONNECTOR		rel level
surface	linear	0.X	± 0.3	Amphenol FCi	dwg no	10140950	rev	A		
		0.XX	± 0.10		cat. no.	Product - Customer Drw	sheet 4 of 6			
	angular	0°	$\pm 2^\circ$							

PACKAGING SPECIFICATION

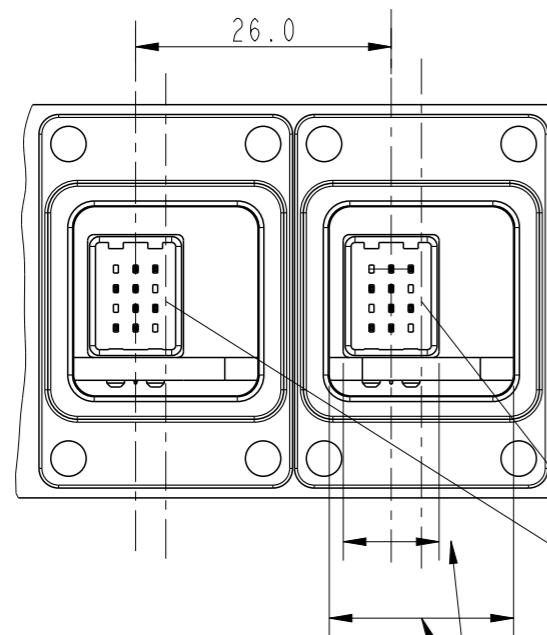
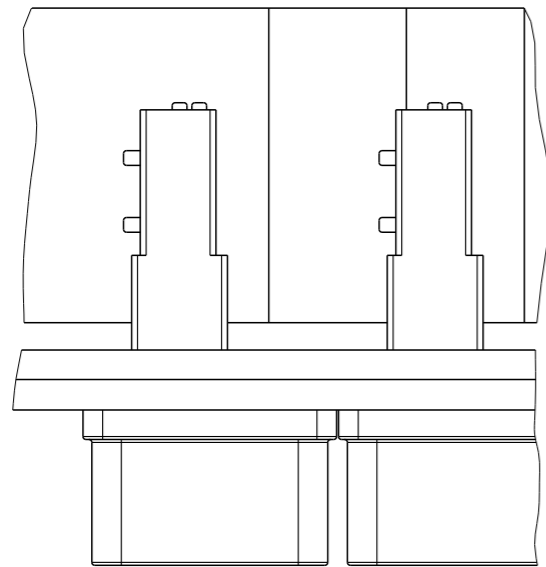


TAPE & REEL PACKING DETAILS

NOTES:

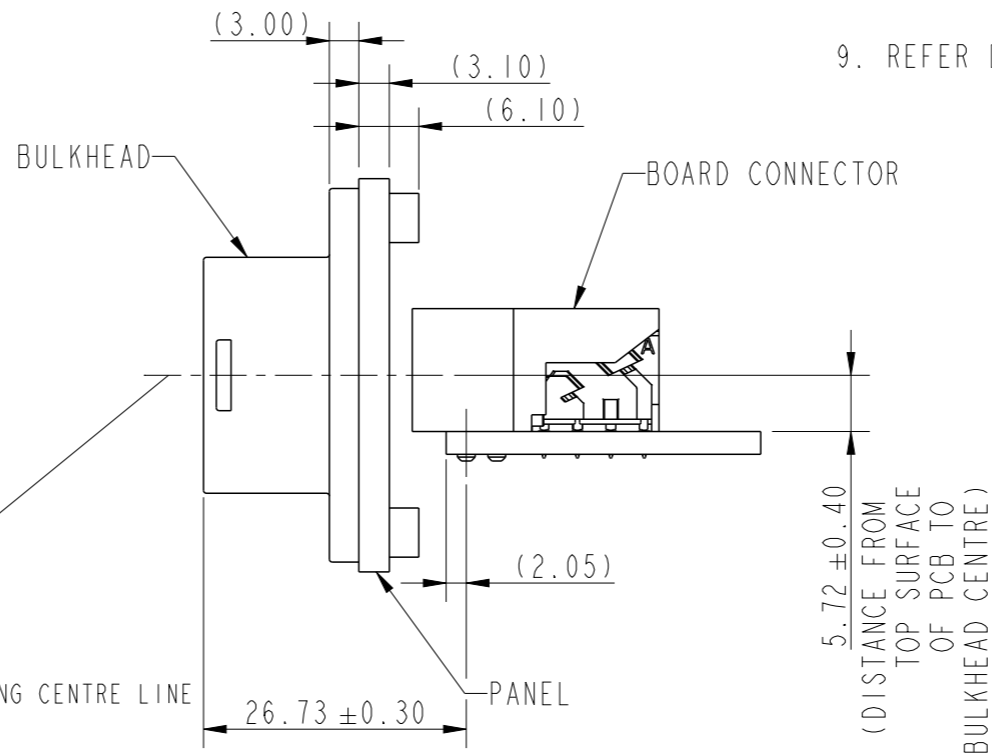
1. PACKAGING DETAILS AS PER EIA-481 STD.
2. MATERIAL : (ANTISTATIC)
 CARRIER TAPE : POLYSTYRENE
 COVER TAPE : POLYSTYRENE

spec ref	-	dr	Jibin John	2017/09/26	projection	mm	size	A3	scale	2:1
tolerance std	ISO 406 ISO 1101	eng	Stalin Alosius	2017/10/16			ecn no	-	rel level	Released
TOLERANCES UNLESS OTHERWISE SPECIFIED		chr	-	-			product family			
surface	linear	appr	K-Paul Biju	2017/10/16	VERIO SIGNAL RA BOARD CONNECTOR WITH PIP TERMINATION		dwg no	10140950	rev	A
ISO 1302	angular			cat. no.	Product - Customer Drw		sheet 5 of 6			
	0.X									
	0.XX									
	0.XXX									
	0°									



±0.60
CENTERING OF THE BOARD
CONNECTOR WITH BULKHEAD
CAVITY

BOARD CONNECTOR
WITH BULKHEAD



NOTES:

- 1: MATERIAL :
- RESIN - LCP, GLASS FILLED, FLAME RETARDANT ACC
FLAMMABILITY CLASSIFICATION - UL94-V0
- SIGNAL CONTACTS - COPPER ALLOY
2. PLATING :
-GOLD OVER PALLADIUM NICKEL ON CONTACT AREA OF SIGNALS
-PURE TIN AT TERMINAL AREA OF SIGNALS
3. PRODUCT SPECIFICATION: GS-12-1429
4. PACKAGING - TAPE & REEL
5. UNDER PLATING FOR CONTACTS IS 1.27µm NICKEL.
6. PRODUCT WILL WITHSTAND EXPOSURE TO 260° FOR 60 SECONDS IN A CONVECTION, INFRA RED OR VAPOUR PHASE REFLOW OVEN
7. PRODUCT WHERE THE PARTNUMBER ENDS IN LF MEETS EUROPEAN DIRECTIVES AND OTHER COUNTRY REGULATIONS AS DESCRIBED IN GS-47-0004.
8. VIEWS SHOWN ON PAGE 1 & 6 ARE OF P/N 10140950-101LF
9. REFER DRAWING 10140956 FOR BULKHEAD DETAILS

spec ref	-	dr	Jibin John	2017/09/26	projection	mm	size	A3	scale	2:1	
tolerance std	ISO 406 ISO 1101	eng	Stalin Alosius	2017/10/16			ecn no	-	rel level		Released
TOLERANCES UNLESS OTHERWISE SPECIFIED		chr	-	2017/10/16			product family	VERIO	rel level		Released
surface	linear	0.X	±0.3	Amphenol FCI	VERIO SIGNAL RA BOARD CONNECTOR WITH PIP TERMINATION		rel level	Released		rev	A
		0.XX	±0.10		cat. no.	Product - Customer Drw	sheet 6 of 6				
	angular	0°	±2°		dwg no	10140950					