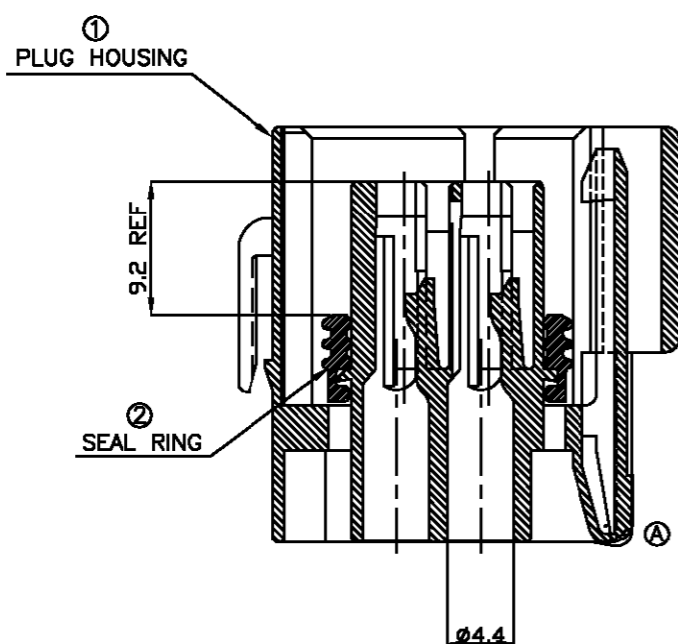
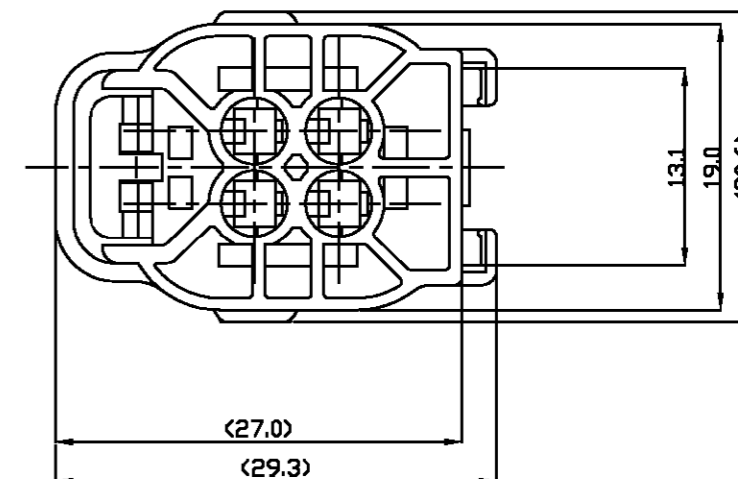
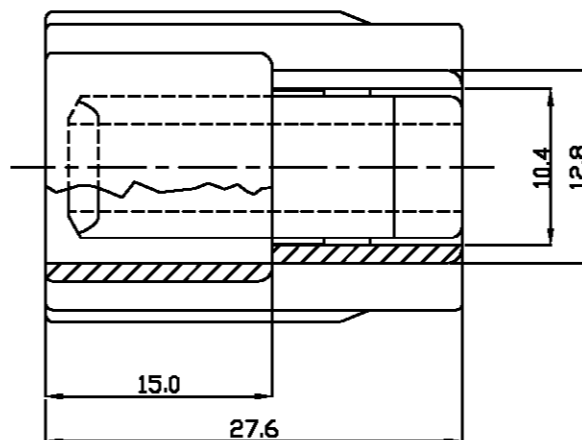
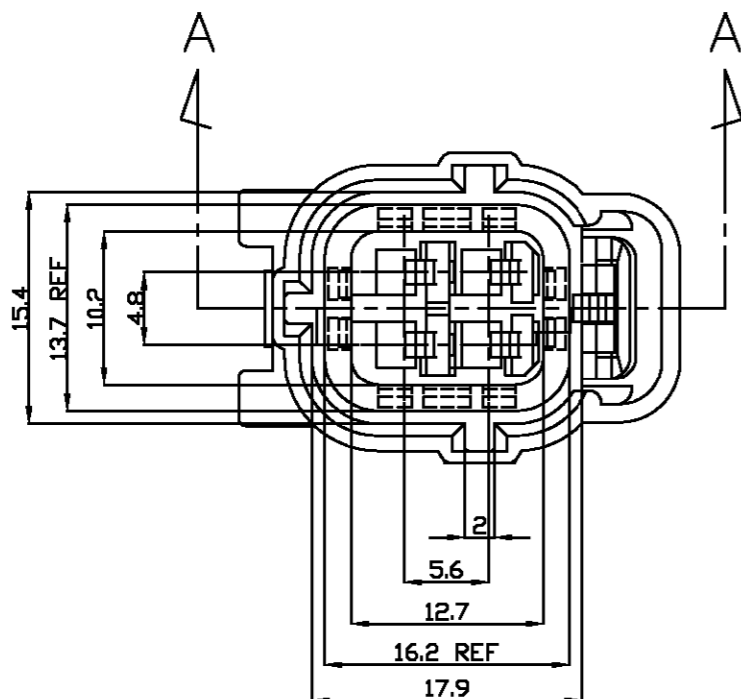
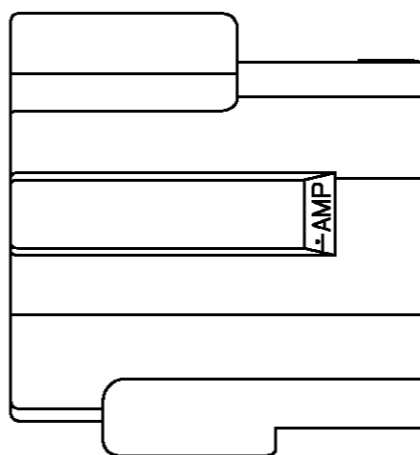


P	LTR	DESCRIPTION	DATE	DWN	APVD
	C	REVISED(RD98-358)	24/DEC '98	YJ	CS
	D	REVISED(FC00-0021-99)	22/FEB '99	YJ	CS
	D1	REVISED(FC00-0060-03)	23/APR '03	YD	CS



SECTION A-A



NOTE;

1. FOR CAP HOUSING P/N 174259
2. THIS PART IS COMPOSED OF PLUG HOUSING P/N 368122 AND SEAL RING P/N 173917, 917343
3. THIS PART MUST BE USED WITH DOUBLE LOCK PLATE P/N 174258
4. APPLICABLE CONTACT P/N 171630, 171662

368123	368123	368123	368123
368123	368123	368123	368123

NO	PART NO	PART NAME	COLOR	ASS'Y NO			
				1	4	3	2
2	368886-2	SEAL RING FOR EJ MKII(+)-4Pos PLUG HSG	BLACK	1	1		
2	173917-2	SEAL RING FOR EJ MKII(+)-4Pos PLUG HSG	GRAY		1		
2	173917-1	SEAL RING FOR EJ MKII(+)-4Pos PLUG HSG	BLACK				1
1	368122-3	EJ MKII(+)-4Pos PLUG HSG	GRAY			1	
1	368122-2	EJ MKII(+)-4Pos PLUG HSG	BLACK	1	1		1

THIS DRAWING IS A CONTROLLED DOCUMENT FOR TYCO ELECTRONICS CORPORATION. IT IS SUBJECT TO CHANGE AND THE CONTROLLING ENGINEERING ORGANIZATION SHOULD BE CONTACTED FOR THE LATEST REVISION.

DIMENSIONS: MM		TOLERANCES UNLESS OTHERWISE SPECIFIED:	
 3rd ANGLE PROJECTION		0 <XX<10 ± 0.2	
		10 <XX<30 ± 0.25	
		30 <XX ± 0.3	
		ANGLES ± 3°	
MATERIAL		FINISH	
SEE TABLE			

DWN : LEE YONG DUCK
CHK : BM JANG
APVD : CS LEE

tyco Electronics AMP KOREA, kyungsan, korea

NAME: ECONOSEAL J-MARKII(+) CONNECTOR 4Pos. PLUG HOUSING ASS'Y

PRODUCT SPEC: 108-61054
APPLICATION SPEC: 114-5082

SIZE: A3 CAGE CODE: 00779 DRAWING NO: 368123 RESTRICTED TO: C=

WEIGHT: 7.8g