

6

5

4

3

2

1

APPROVED: _____

DATE: _____ TITLE: _____

Rev	AWO #	Description	Date	Appr
-		RELEASED	12/22/21	

SPECIFICATIONS:

Material:

Stickers	PC	Black
A spring bar	Steel wire electrophoresis	Black
Base	∅30mm	Black
RG174Cable	RG174Cable,2500mm	Black
SMA	SMA-M	Gold

Electrical:

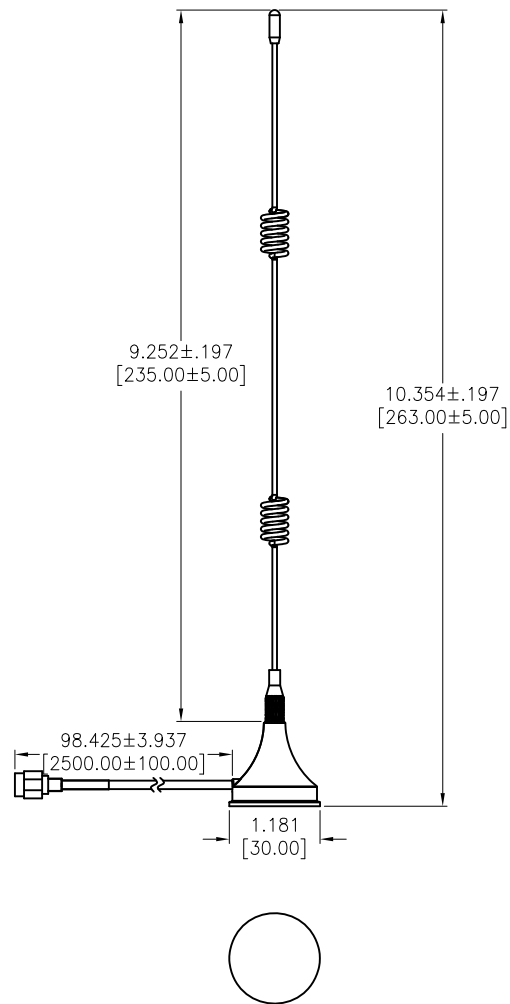
Standards	3G/2G	
Frequency range(MHz)	824~960MHz	1710~2170MHz
Peak Gain	-2.6~3.1dBi	2.2~4.8dBi
Average Gain(dB)	-7.4~-2.5dB	-5.5~-3.3dB
VSWR	<3.5	<2.5
Return Loss	<-5.0	<-7.0
Efficiency (%)	18~57%	28~47%
Polarization mode	Linear	
Radiation pattern	Omni-Directional	
Output impedance	50	
Max.Input Power(W)	25	

Mechanical:

Mounting Type	Magnetic
Connector Type	SMA Male 1M
Antenna size(mm)	263*∅30
Material	ABS+PC
Operating Temperature	-40°C~+85°C
Storage Temperature	-40°C~+85°C

Environmental:

Lead free, RoHS compliant.



UNLESS OTHERWISE SPECIFIED ALL DIMENSIONS ARE INCHES [MM]. TOLERANCES: EXCEPT AS NOTED

INCHES		HOLES	
.x	±.10	∅x	±.10
.xx	±.020	∅xx	±.015
.xxx	±.015	∅xxx	±.010



909 Rahway Avenue,
Union, NJ 07083
Phone: 908-687-5000
Fax: 908-687-5710

DRAWN	WX	12/22/21
CHECKED	RC	12/22/21
APPROVED		

TITLE
GNSS EXTERNAL MAGNETIC MOUNT ANTENNA

THIS DRAWING CONTAINS INFORMATION THAT IS PROPRIETARY AND SHOULD NOT BE USED WITHOUT PRIOR WRITTEN PERMISSION FROM ADAM TECH

SIZE X	PART NO. ANT-21012EB56	REV. -
REF: S00207C	SCALE: NTS	SHEET 1 OF 1

6

5

4

3

2

1