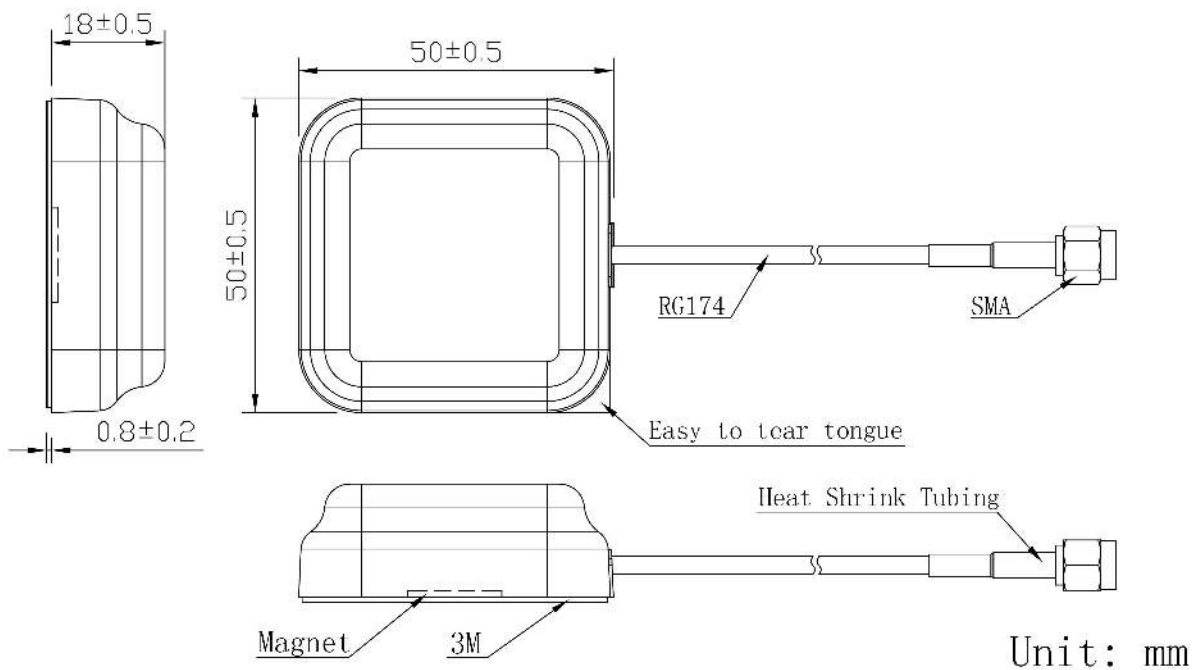


# High Accuracy GNSS Active Antenna JCA236



## DIMENSIONS



JIAXING JINCHANG ELECTRONIC TECHNOLOGY CO.,LTD

Add: 398#,Zhenye Road, South Street, Jiaxing, Zhejiang, China

Http:// www.jinchanggps.com

E-mail:jcgps@vip.163.com

Tel: 86-0573-83692157/83692605/83958637 Fax:86-0573-83958635

**SPECIFICATIONS**

Item	Specifications	
Antenna(2 pins)	Frequency Range	1561.098~1602MHz
	Polarization	RHCP
	Gain	5dBic@PCB (Zenith)
	V.S.W.R	<1.5
	Impedance	50 $\Omega$
	Dimension	33.5*33.5*6mm
	Axial Ratio	3dB (max)
LNA	Gain	28 $\pm$ 2dB
	Noise Figure	$\leq$ 1.5dB
	Supply Voltage	3~5V DC
	Current Consumption	<20mA
	V.S.W.R	<2.0
Mechanical	Cable	RG174/3000mm
	Connector	SMA or others
	Radome Material	ABS
	Mounting Method	Adhesive
Environmental	Operating Temperature	-40 $^{\circ}$ C~+85 $^{\circ}$ C
	Relative Humidity	Up to 95%
	Ingress Protection	IP67
	Vibration	10 to 55Hz with 1.5mm amplitude 2hours
	Environmentally Friendly	ROHS Compliant

## Radiation Pattern

