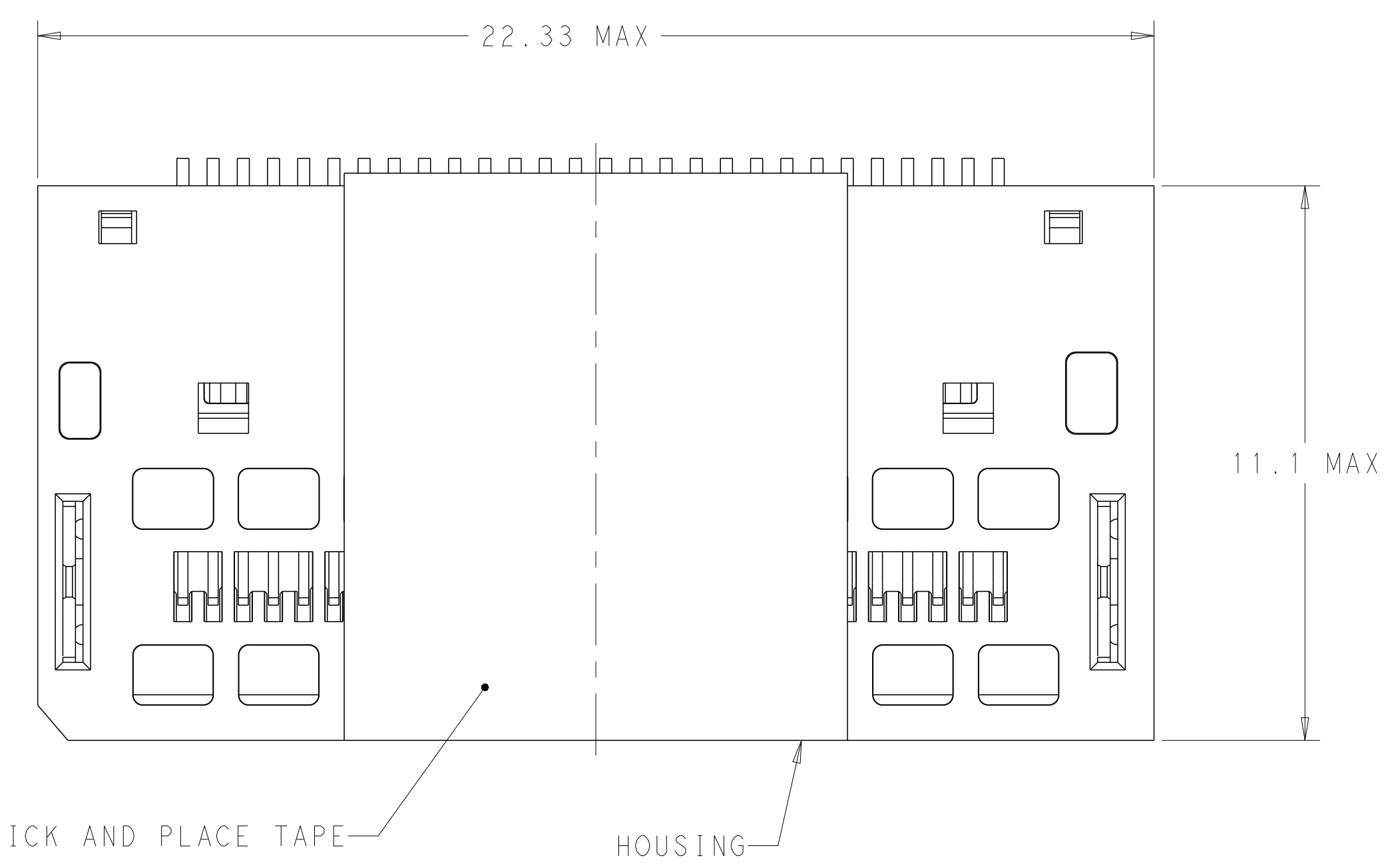
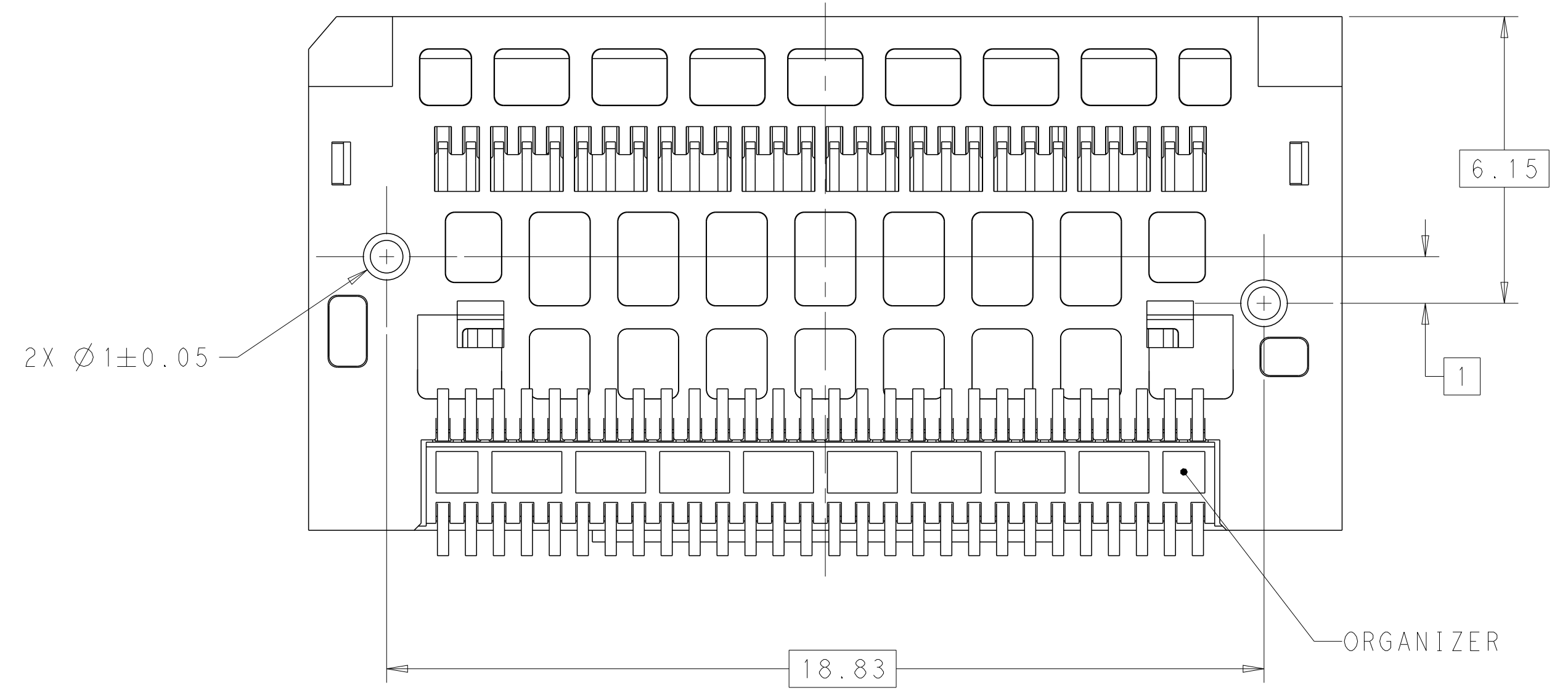
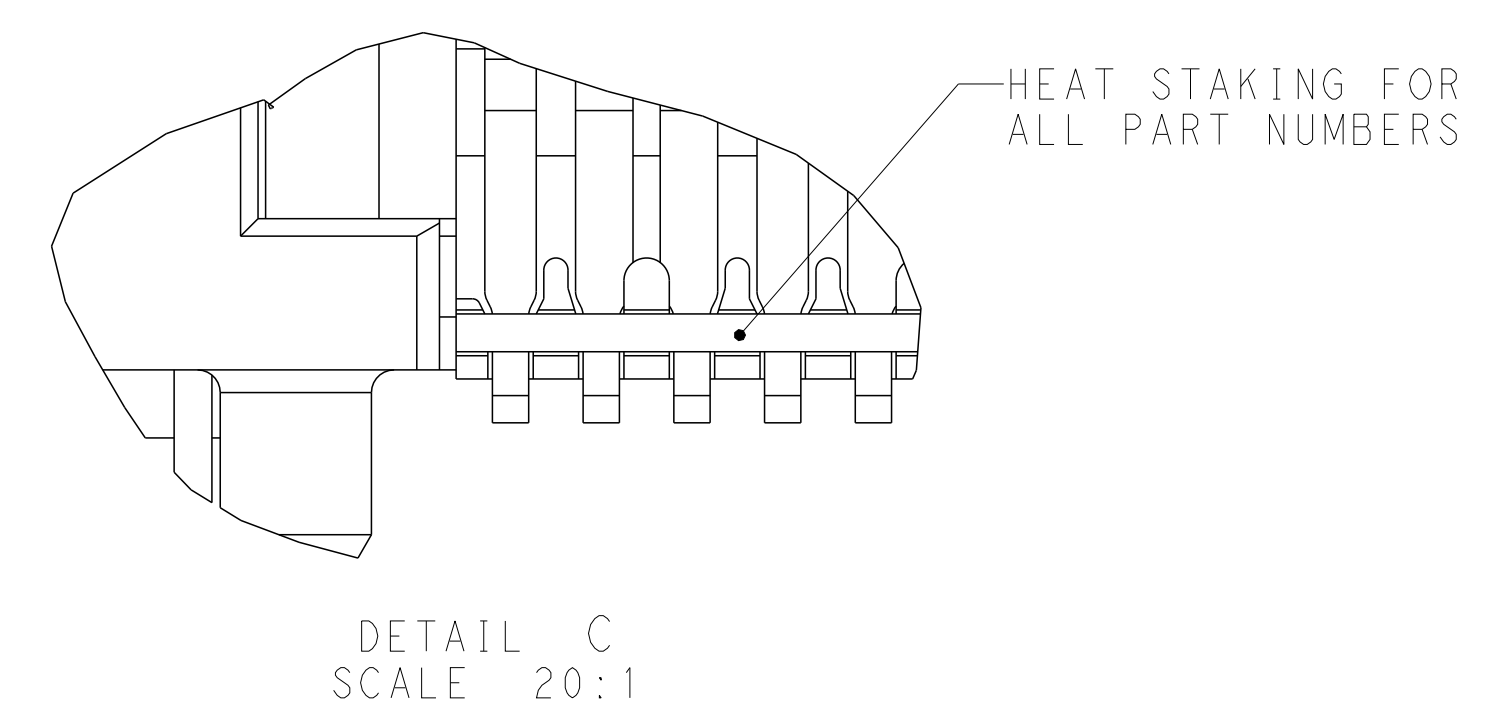
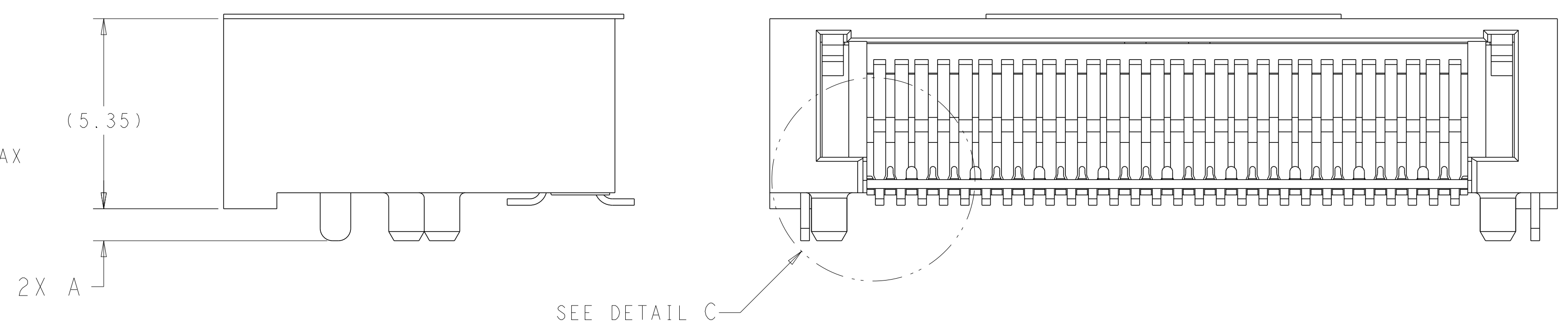
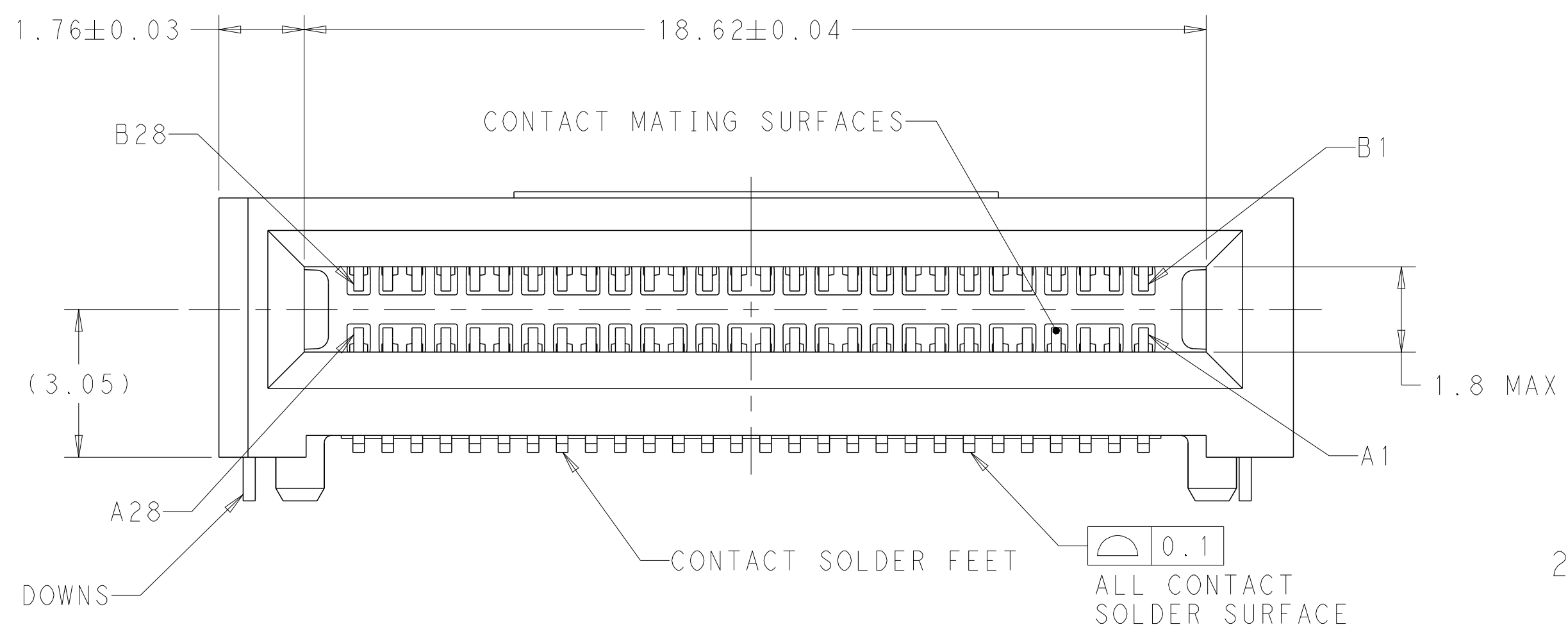


REVISIONS					
P	LTN	DESCRIPTION	DATE	DWN	APVD
A		RELEASED PER ECO-19-007456	15MAY2019	CJV	JW
B		REVISED PER ECO-19-011736	06AUG2019	AP	JW
C		REVISED PER ECN-21-126523	14MAR2022	TX	DZ
D		REVISED PER ECN-22-152380	13MAY2022	TX	DZ



- 1 HOUSING, ORGANIZER, CONTACT OVERMOLDS - LCP, UL94-V0, BLACK.  
CONTACTS AND HOLD DOWNS - COPPER ALLOY.  
PICK AND PLACE TAPE - POLYIMIDE FILM.
- 2 CONTACTS - GOLD PLATE ON MATING SURFACES,  
TIN PLATE ON SOLDER FEET.  
HOLD DOWNS - TIN PLATE.
- 3 DATUMS AND BASIC DIMENSIONS ESTABLISHED BY CUSTOMER.
- 4. MINIMUM HOST PCB THICKNESS: 1.5.
- 5 SEE MSA SPECIFICATION FOR ADDITIONAL PADDLE CARD LAYOUTS  
COMPATIBLE WITH THIS RECEPTACLE AND FOR OPTIONAL SPLIT  
CONTACT PAD LAYOUTS FOR THE PADDLE CARD. SPECIFICATION  
PINOUT MAY ALSO DESIGNATE PAD SEQUENCE DIFFERENT FROM  
ILLUSTRATION.
- 6 POSITIONS DESIGNATED AS "SIGNAL" ARE REQUIRED LOCATIONS FOR  
HIGH SPEED DIFFERENTIAL PAIR SIGNALING. THESE LOCATIONS  
MAY ALSO BE USED FOR SUPPORTING SIDEBAND SIGNALS OR OTHER  
UTILITY PURPOSES. POSITIONS DESIGNATED AS "GROUND" ARE  
REQUIRED WHEN SUPPORTING HIGH SPEED DIFFERENTIAL SIGNALS.  
THESE LOCATIONS MAY ALSO BE USED FOR SIDEBAND SIGNALS OR  
OTHER UTILITY PURPOSES.
- 7 COMPONENT AND TRACE KEEP OUT AREA. EACH EDGE 0.15 MIN FROM  
EDGE OF HOLE.
- 8 TAPE AND REEL PACKAGED FOR PICK AND PLACE SMT PROCESSING,  
SEE FIGURE 1. POCKET TAPE: WIDTH = 44.



0.9±0.1	0.76µm Au	24	400	NO	200	1-2327672-3
	0.38µm Au				100	1-2327672-2
	FLASH Au/PdNi				50	1-2327672-1
	0.76µm Au				200	2327672-3
	0.38µm Au				100	2327672-2
A	FLASH Au/PdNi	20	500	YES	50	2327672-1
	PLATING				POCKET TAPE PITCH	REEL QUANTITY

THIS DRAWING IS A CONTROLLED DOCUMENT.

DIMENSIONS: mm

TOLERANCES UNLESS OTHERWISE SPECIFIED:

0 PLC	±
1 PLC	±
2 PLC	±
3 PLC	±
4 PLC	±
ANGLES	±
FINISH	±

MATERIAL

WEIGHT

CUSTOMER DRAWING

DWN: M. SHIRK 22FEB2018  
 CHK: D. HARMON 22FEB2018  
 APVD: D. HARMON 22FEB2018

NAME: RECEPTACLE ASSEMBLY, RIGHT ANGLE, 56 POSITION, SLIVER 2.0

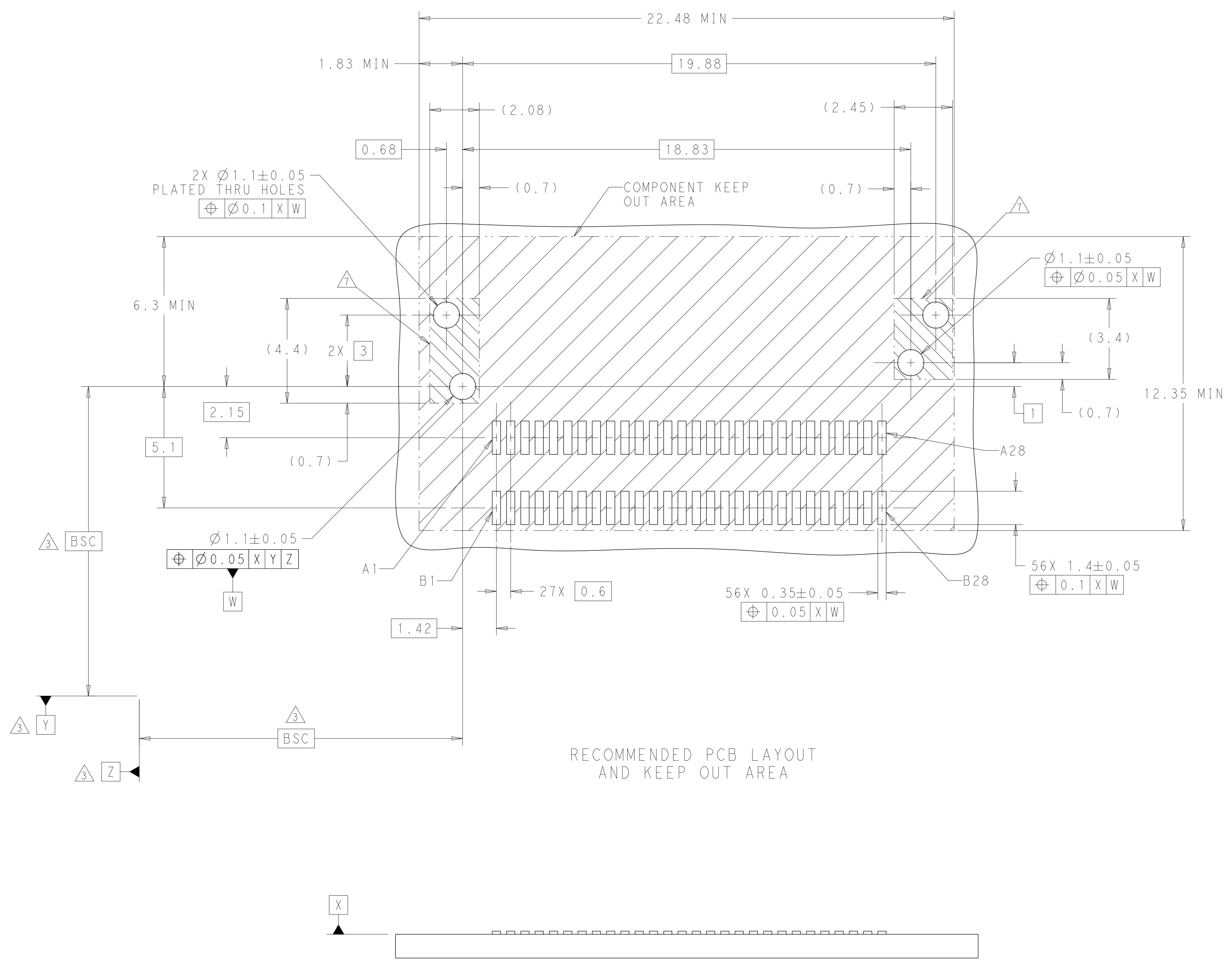
PRODUCT SPEC: 108-130021  
 APPLICATION SPEC: 114-130008

SIZE: A1  
 CAGE CODE: 00779  
 DRAWING NO: C=2327672

RESTRICTED TO: -

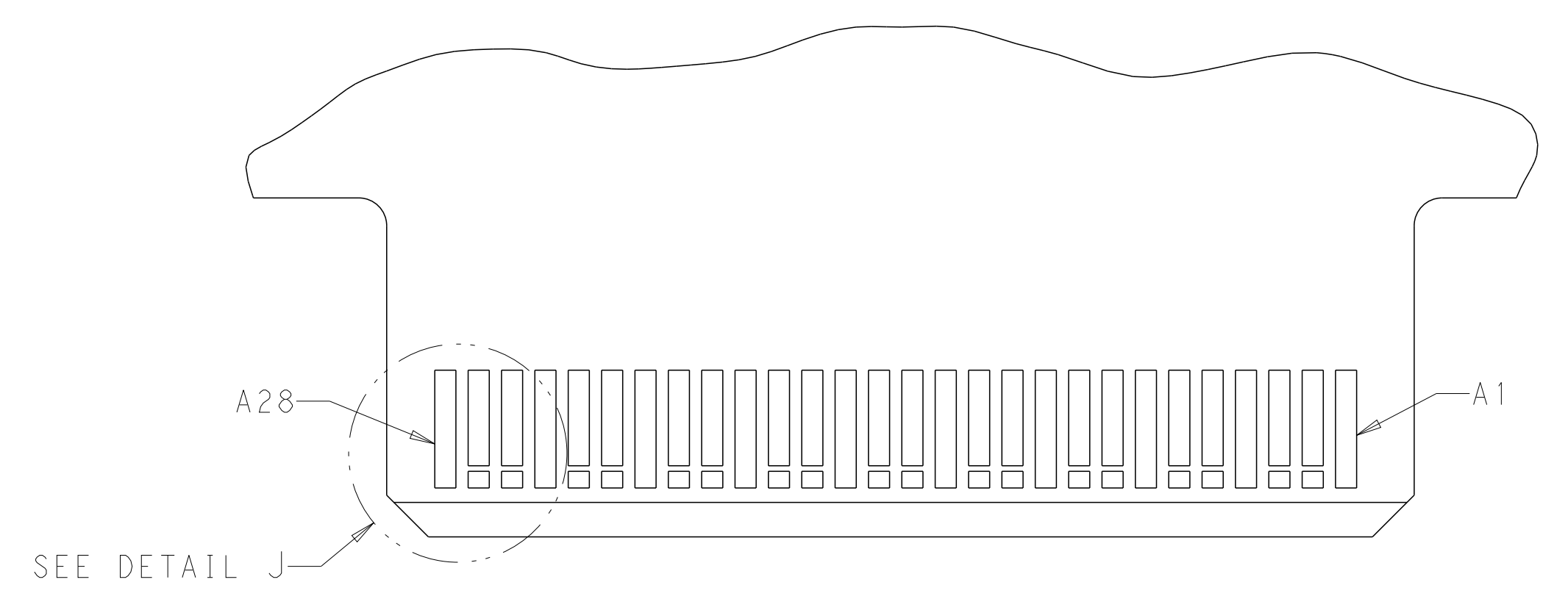
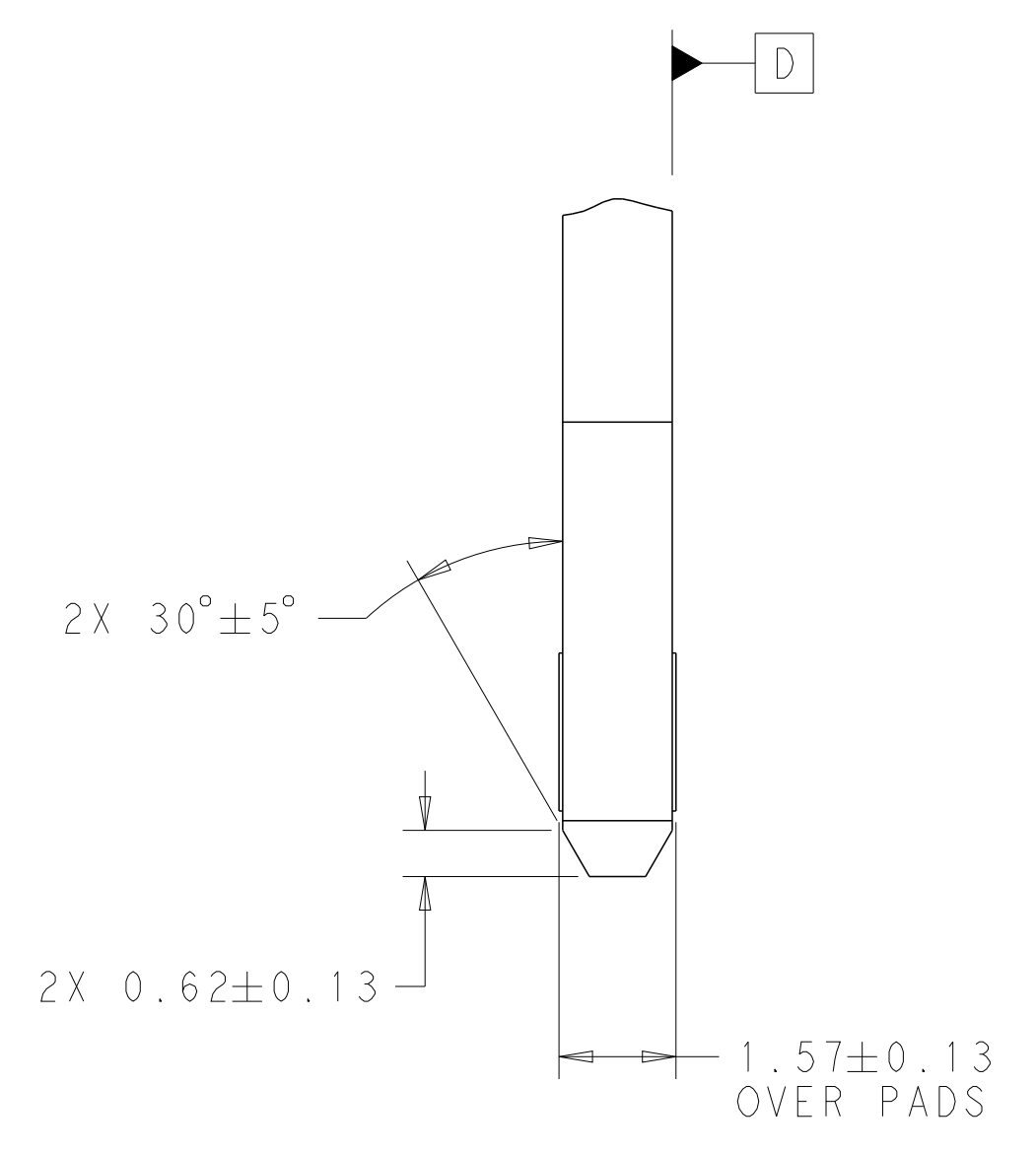
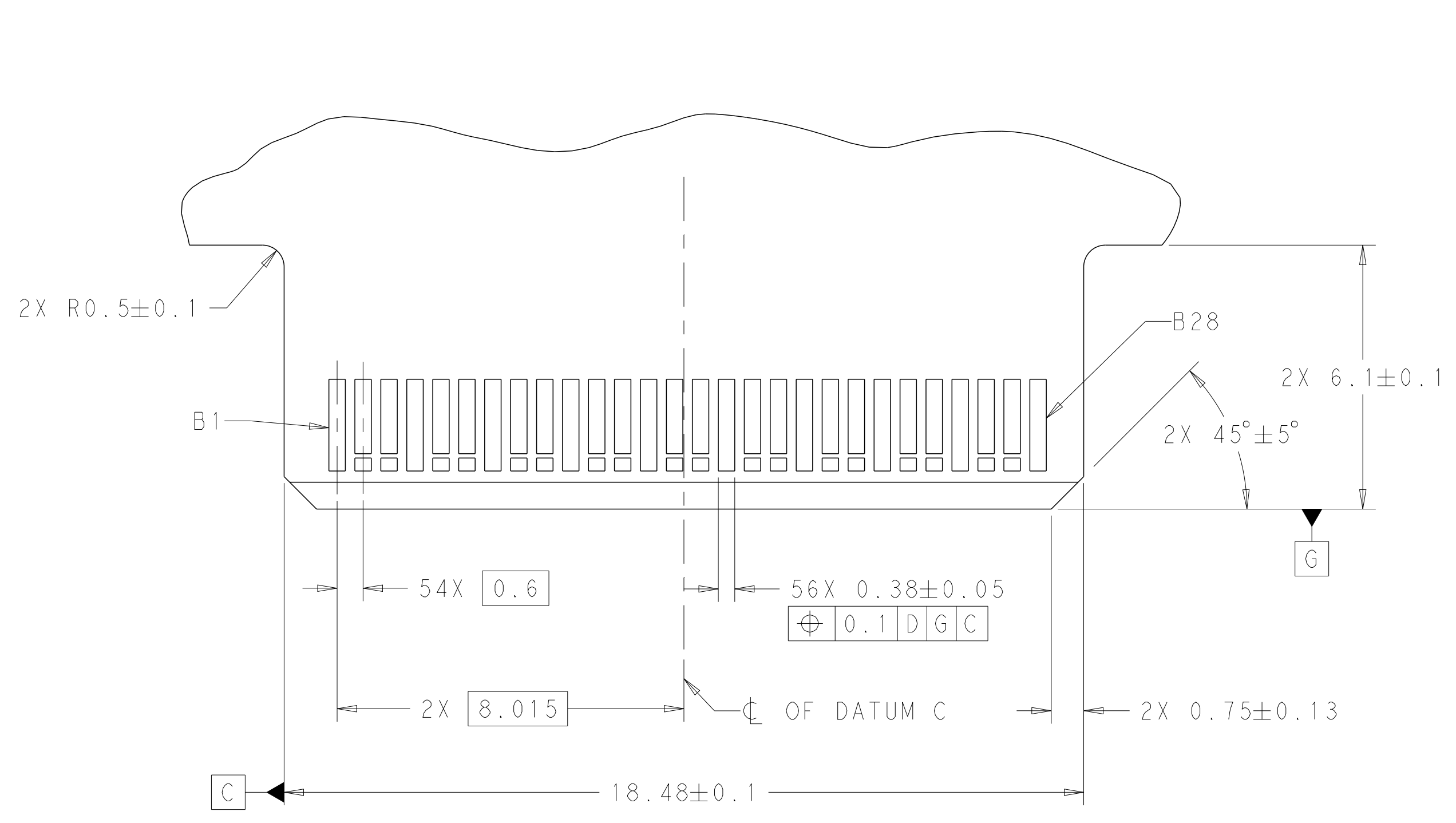
SCALE: 10:1 SHEET: 1 OF 4 REV: D

REVISIONS				
P	LTN	DESCRIPTION	DATE	APVD
-	-	SEE SHEET 1	-	-

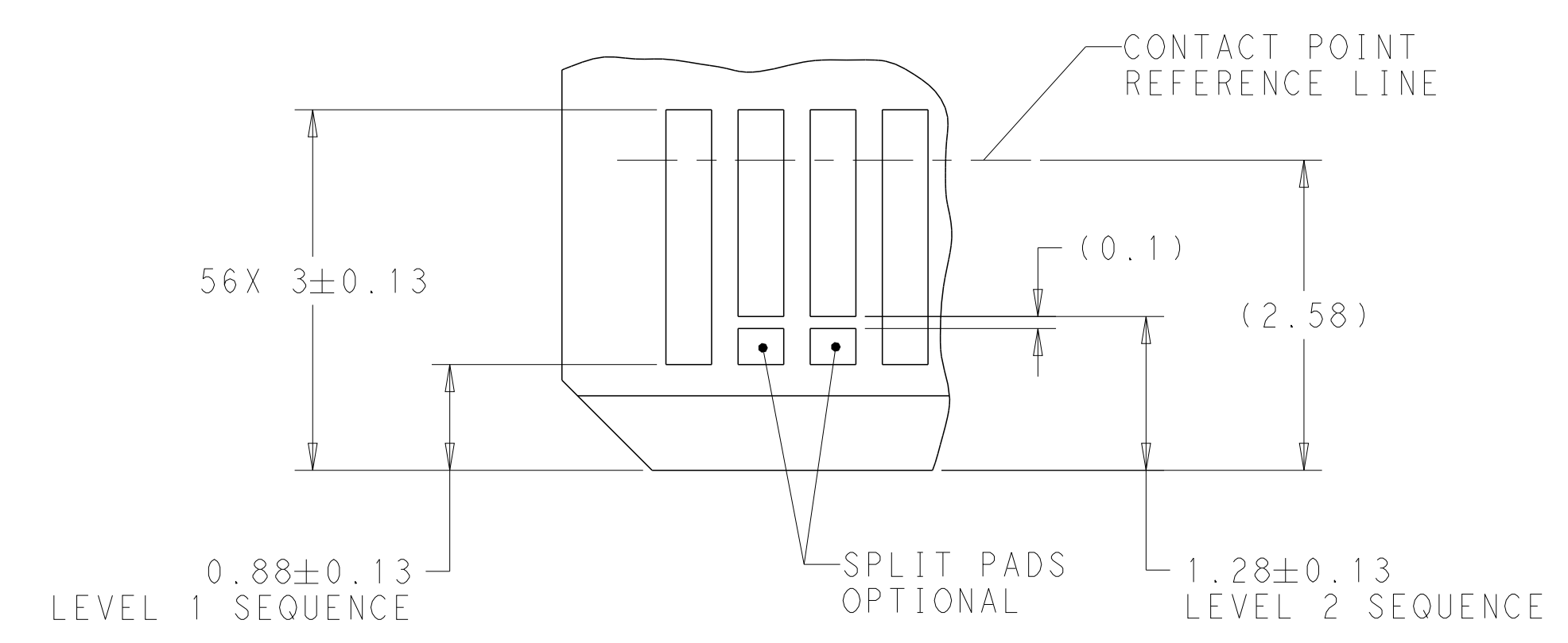


THIS DRAWING IS A CONTROLLED DOCUMENT.		DWN M. SHIRK 22FEB2018	TE Connectivity	
DIMENSIONS: mm		CHK D. HARMON 22FEB2018		
TOLERANCES UNLESS OTHERWISE SPECIFIED:		APVD D. HARMON 22FEB2018		
0 PLC	±	NAME	RECEPTACLE ASSEMBLY, RIGHT ANGLE, 56 POSITION, SLIVER 2.0	
1 PLC	±	PRODUCT SPEC	108-130021	
2 PLC	±	APPLICATION SPEC	-	
3 PLC	±	SIZE	A100779	
4 PLC	±	CAGE CODE	C=2327672	
ANGLES	±	DRAWING NO	-	
MATERIAL	FINISH	WEIGHT	-	
CUSTOMER DRAWING		SCALE	10:1	
		SHEET	2 OF 4	
		REV	D	

REVISIONS				
P	LTN	DESCRIPTION	DATE	APVD
-	-	SEE SHEET 1	-	-



RECOMMENDED PCB OUTLINE DIMENSIONS:  
 TOLERANCE VALUES ARE CRITICAL. PLEASE BE SURE TO DESIGNATE  
 TOLERANCES TO PCB SUPPLIER TO ENSURE OPTIMIZED FUNCTIONALITY.



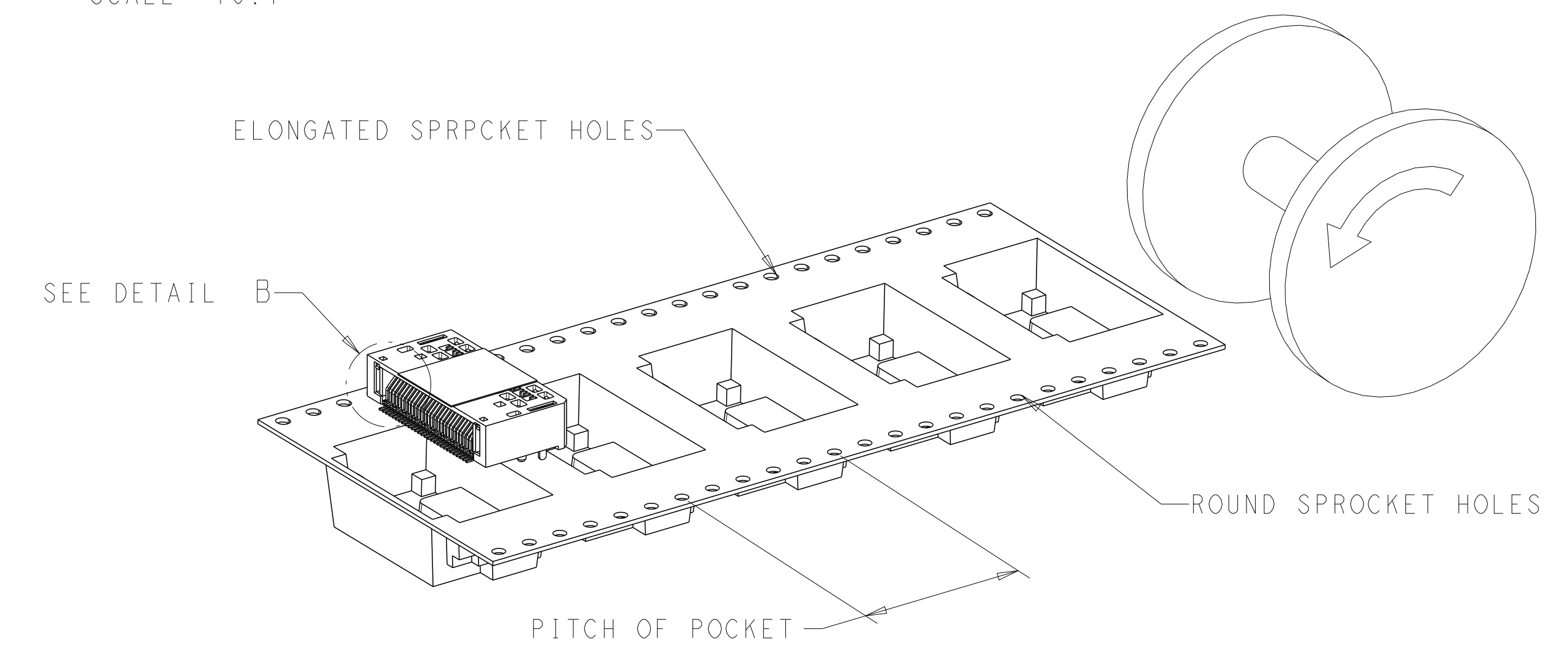
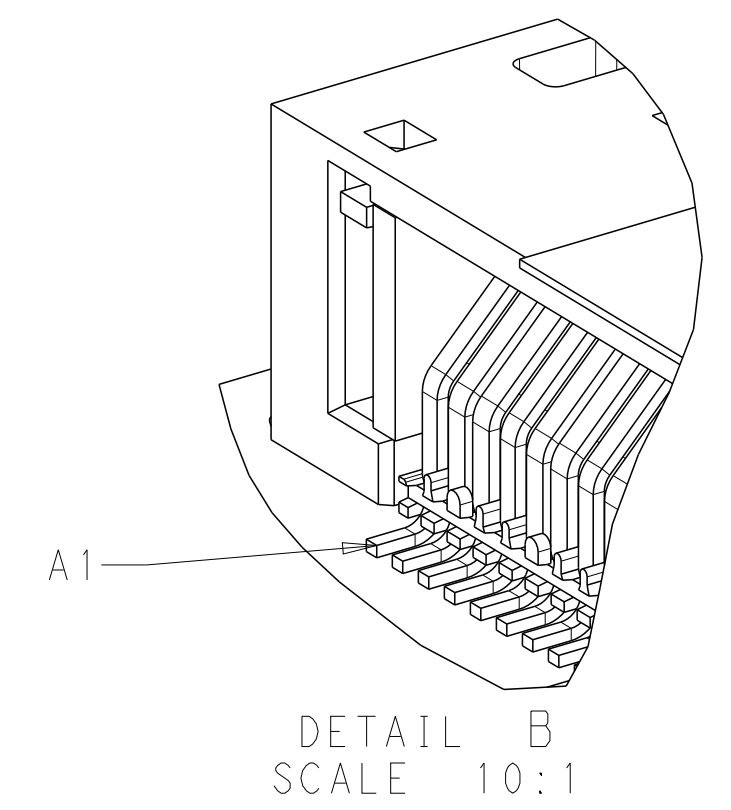
DETAIL J  
 SCALE 20:1

THIS DRAWING IS A CONTROLLED DOCUMENT.		OWN M. SHIRK 22FEB2018	TE Connectivity
DIMENSIONS:		CHK D. HARMON 22FEB2018	
mm	TOLERANCES UNLESS OTHERWISE SPECIFIED:	APVD D. HARMON 22FEB2018	NAME RECEPTACLE ASSEMBLY, RIGHT ANGLE, 56 POSITION, SLIVER 2.0
	0 PLC ± 1 PLC ± 2 PLC ± 3 PLC ± 4 PLC ± ANGLES ± FINISH ±	PRODUCT SPEC 108-130021 APPLICATION SPEC 114-130008 WEIGHT -	SIZE CAGE CODE DRAWING NO A100779C=2327672 RESTRICTED TO -
MATERIAL		CUSTOMER DRAWING	SCALE 10:1 SHEET 3 OF 4 REV D

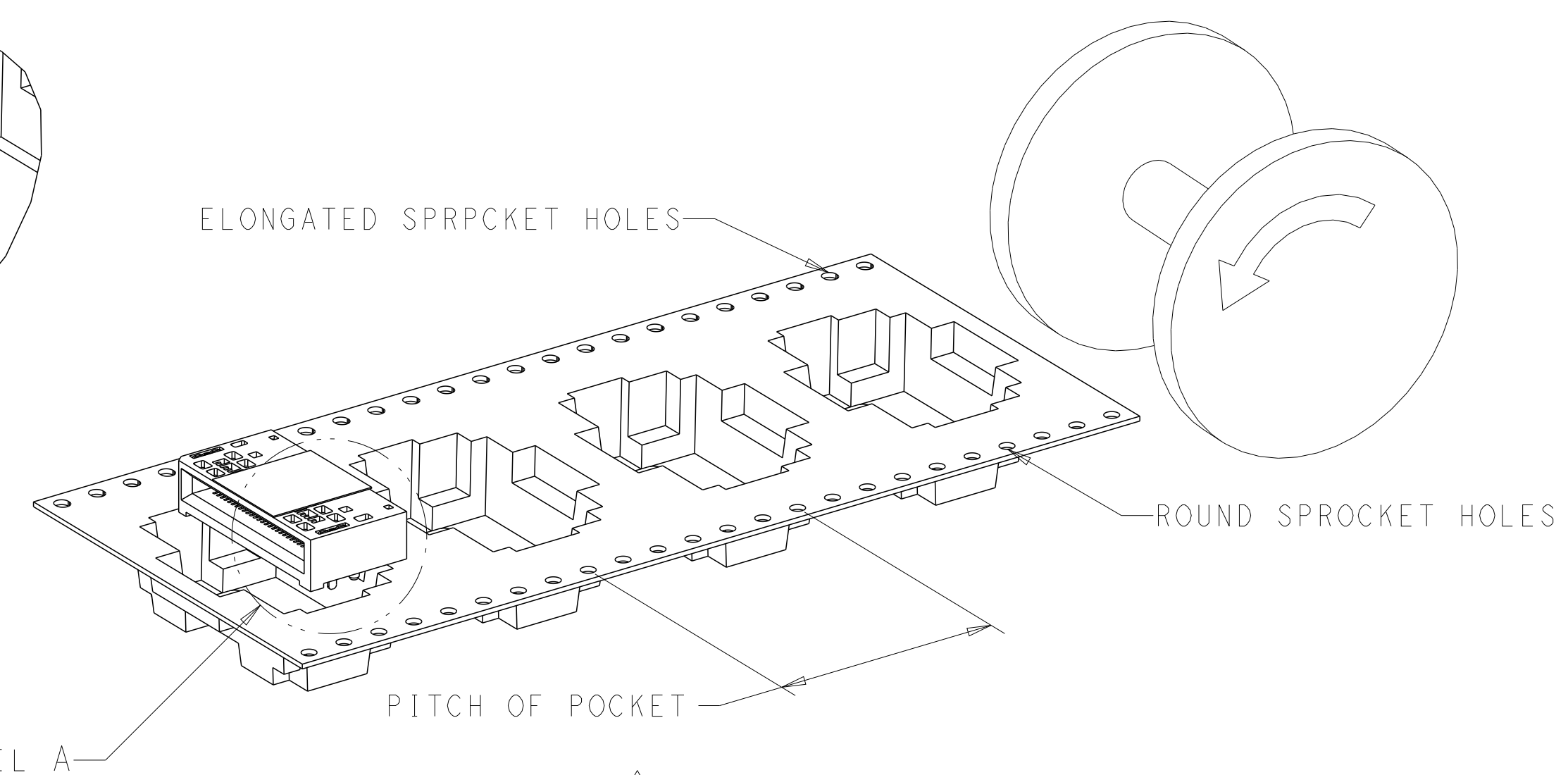
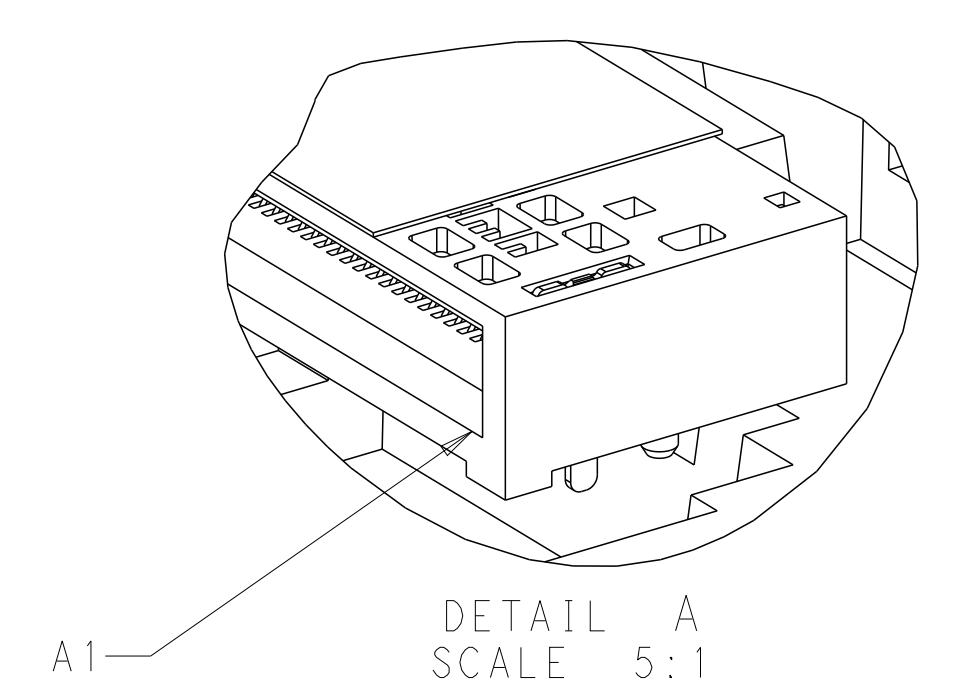
REVISIONS				
P	LTN	DESCRIPTION	DATE	APVD
-	-	SEE SHEET 1	-	-

TABLE 1: CONNECTOR CONTACT IDENTIFICATION  $\triangle$  $\triangle$

CONTACT NUMBER	SIDE A	SIDE B
1	GROUND	GROUND
2	SIGNAL	SIGNAL
3	SIGNAL	SIGNAL
4	GROUND	GROUND
5	SIGNAL	SIGNAL
6	SIGNAL	SIGNAL
7	GROUND	GROUND
8	SIGNAL	SIGNAL
9	SIGNAL	SIGNAL
10	GROUND	GROUND
11	SIGNAL	SIGNAL
12	SIGNAL	SIGNAL
13	GROUND	GROUND
14	SIGNAL	SIGNAL
15	SIGNAL	SIGNAL
16	GROUND	GROUND
17	SIGNAL	SIGNAL
18	SIGNAL	SIGNAL
19	GROUND	GROUND
20	SIGNAL	SIGNAL
21	SIGNAL	SIGNAL
22	GROUND	GROUND
23	SIGNAL	SIGNAL
24	SIGNAL	SIGNAL
25	GROUND	GROUND
26	SIGNAL	SIGNAL
27	SIGNAL	SIGNAL
28	GROUND	GROUND



**FIGURE 1**  $\triangle$  $\triangle$   
DIRECTION OFF TOP OF REEL  
FOR USER UNREELING  
SHOWN AS 2327672-1, 2327672-2 OR 2327672-3  
SCALE 2:1



**FIGURE 2**  $\triangle$  $\triangle$   
DIRECTION OFF TOP OF REEL  
FOR USER UNREELING  
SHOWN AS 1-2327672-1, 1-2327672-2 OR 1-2327672-3  
SCALE 2:1

THIS DRAWING IS A CONTROLLED DOCUMENT.		OWN: M. SHIRK 22FEB2018	<b>STE</b> TE Connectivity
DIMENSIONS: mm		CHK: D. HARMON 22FEB2018	
TOLERANCES UNLESS OTHERWISE SPECIFIED:		APVD: D. HARMON 22FEB2018	NAME: RECEPTACLE ASSEMBLY, RIGHT ANGLE, 56 POSITION, SLIVER 2.0
0 PLC	±	PRODUCT SPEC	SIZE: 108-130021
1 PLC	±	APPLICATION SPEC	CAGE CODE: 114-130008
2 PLC	±	WEIGHT	RESTRICTED TO: A100779
3 PLC	±	CUSTOMER DRAWING	SCALE: 10:1
4 PLC	±		SHEET 4 OF 4
ANGLES	±		REV D