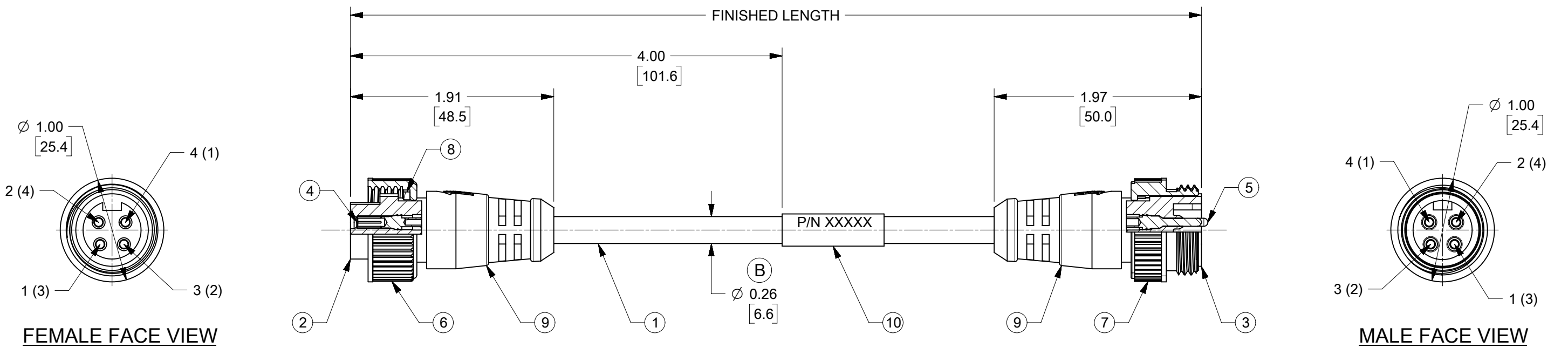
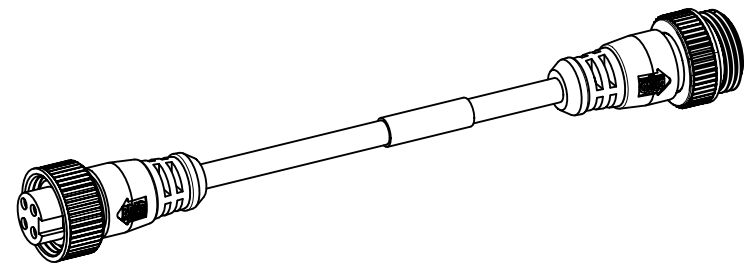


MATERIAL NO.	ENGINEERING NO.	FINISHED LENGTH
1300100851	114030K03M010	1M (3 FT 3.4 IN)
1300100852	114030K03M020	2M (6 FT 6.7 IN)
1300100853	114030K03M030	3M (9 FT 10.1 IN)
1300100855	114030K03M050	5M (16 FT 4.9 IN)
1300100860	114030K03M100	10M (32 FT 9.7 IN)
1300102178	114030K03M150	15M (49 FT 2.6 IN)
1300102179	114030K03M200	20M (65 FT 7.4 IN)

CABLE LENGTH TOLERANCES
 <.3M [1FT]: +19mm-0 [+ .75in-0]
 .3 - .9M [1 - 3FT]: +44.5mm-0 [+1.75in-0]
 .9 - 1.8M [3 - 6FT]: +55.6mm-0 [+2.19in-0]
 1.8 - 3.7M [6 - 12FT]: +88.9mm-0 [+3.50in-0]
 3.7 - 7.3M [12 - 24FT]: +165.1mm-0 [+6.50in-0]
 7.3-14.6M [24 - 48FT]: +317.5mm-0 [+12.50in-0]
 14.6 - 30.5M [48-100FT]: +622.3mm-0 [+24.50in-0]
 OVER 30M [100FT] +2% OF FINISHED LENGTH



WIRING DIAGRAM

PART NUMBER LEGEND

114030K03M010

FINISHED LENGTH :
 M010 = 1.0 METERS
 M100 = 10.0 METERS
 M200 = 20.0 METERS

BLACK	4 (1)
BLUE	3 (2)
BROWN	1 (3)
WHITE	2 (4)

CENELEC EN 50 044 PINOUT SHOWN
 (SAE-J-1738A IN PARENTHESIS)

MECHANICAL CHARACTERISTICS:

TORSIONAL FLEX TEST	10 MILLION CYCLES PER MIL-C-13777G
BEND FLEX TEST	10 MILLION CYCLES PER MIL-C-13777G
WELD SLAG RESISTANCE	WOODHEAD STANDARD S-300

- NOTES:**
 1) MATERIAL: AS NOTED
 2) FINISHES: AS NOTED
 3) ELECTRICAL DATA:
 VOLTAGE: 300V
 CURRENT: 5.6 AMPS
 PROTECTION: IP67 (WHEN FULLY MATED)
 TEMP RANGE: -20°C TO 105°C (B)
 4) COUPLING THREAD: 7/8-16 UN
 5) CSA CERTIFIED FILE: LR6837 (B)
 6) ALL DIMS ARE FOR REFERENCE UNLESS TOLERANCED OR OTHERWISE NOTED

ITEM	DESCRIPTION	MATERIAL	FINISH
10	WRAP LABEL	VINYL	BLACK/YELLOW
9	OVERMOLD	TPE	YELLOW
8	FRICTION RING	NYLON	WHITE
7	MALE COUPLING NUT	ZINC DIE CAST	BLACK E-COAT
6	FEMALE COUPLING NUT	ZINC DIE CAST	BLACK E-COAT
5	PIN CONTACT	Cu ALLOY	GOLD OVER NICKEL
4	SOCKET CONTACT	Cu ALLOY	GOLD OVER NICKEL
3	MALE INSERT	TPE	YELLOW
2	FEMALE INSERT	TPE	YELLOW
1	CABLE, 4P, 18AWG, ITC/PLTC	TPE JACKET	YELLOW

THIS DRAWING CONTAINS INFORMATION THAT IS PROPRIETARY TO MOLEX ELECTRONIC TECHNOLOGIES, LLC AND SHOULD NOT BE USED WITHOUT WRITTEN PERMISSION									
FUNCTIONAL SYMBOLS	0	INCH/MM	SCALE	1:1	CURRENT REV DESC: UPDATED MATERIAL TABLE, TOL. TABLE & TEMP RATING. ADDED ITEM 8, CABLE DIA., MECH. CHARACTERISTICS & CSA.				
GENERAL TOLERANCES (UNLESS SPECIFIED)					<p>molex</p> <p>MINI-CHANGE CORDSET, A SIZE 4 POLE, FEMALE/MALE, STRAIGHT, SINGLE KEY, 18 AWG TPE HI-FLEX</p> <p>PRODUCT CUSTOMER DRAWING</p>				
ANGULAR TOL	±	0.5°							
DIVISIONAL SYMBOLS	3 PLACES	±							
	2 PLACES	±							
	1 PLACE	±			<p>EC NO: 701162</p> <p>DRWN: AKABADI 2021/09/16</p> <p>CHKD: RSTONE 2022/03/30</p> <p>APPR: BWOODMAN 2022/04/08</p> <p>INITIAL REVISION:</p> <p>DRWN: CCHRSTKA 2019/06/20</p> <p>APPR: BWOODMAN 2019/08/14</p>				
	0 PLACES	±			<p>DOCUMENT NUMBER: 1300102178</p> <p>DOC TYPE: PSD</p> <p>DOC PART: 000</p> <p>REVISION: B</p>				
DRAFT WHERE APPLICABLE MUST REMAIN WITHIN DIMENSIONS			THIRD ANGLE PROJECTION		DRAWING		SERIES		SHEET NUMBER
			B-SIZE		130010		SEE TABLE		GENERAL MARKET
									1 OF 1