

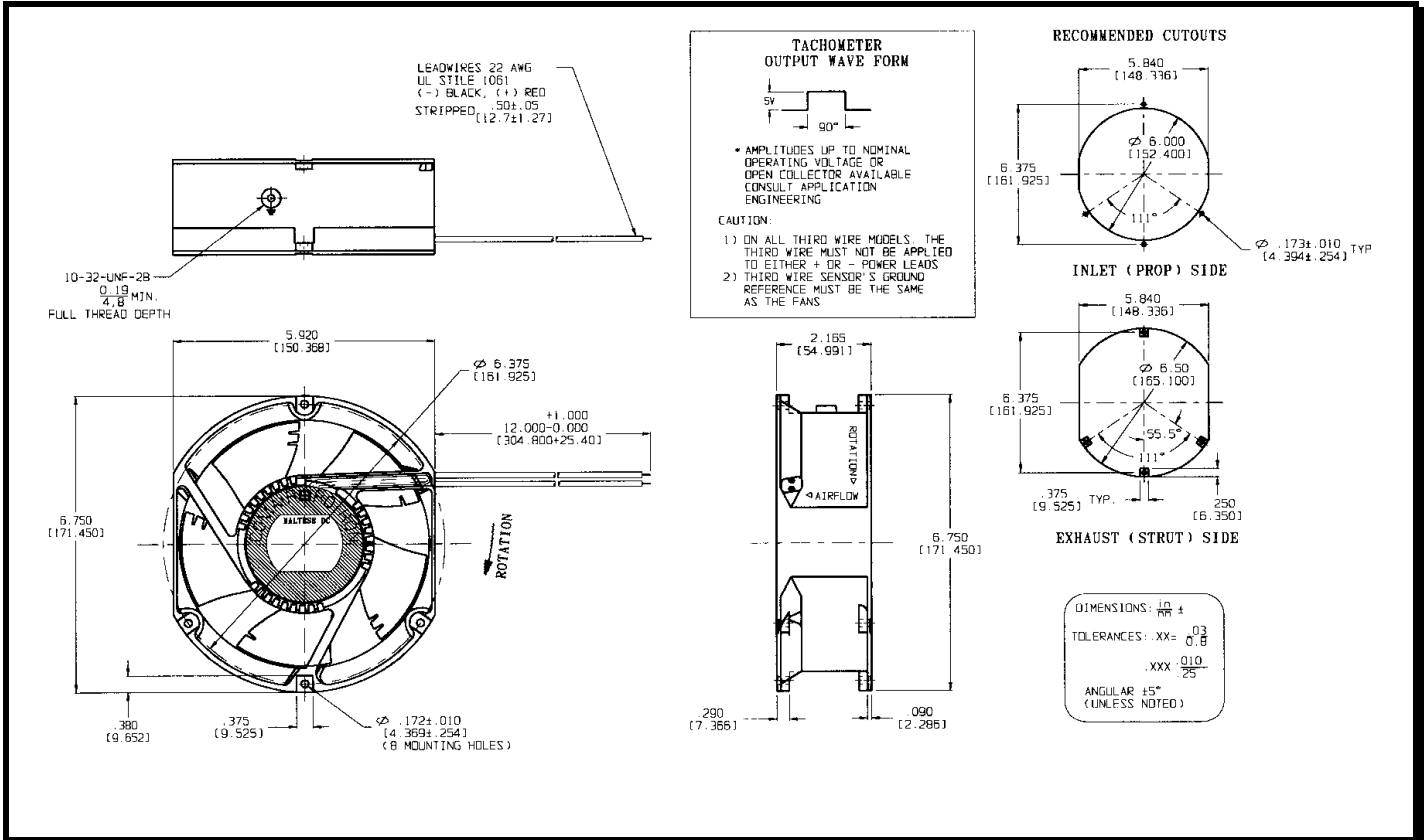
SPECIFICATIONS



Model Number: MT48B6NDNX
Part Number: 031927

March 11, 1999

Mechanical Drawing:



Motor:

Nominal Voltage	= 48 Volts DC
Operating Voltage Range	= 24 to 56 Volts DC
Nominal Running Current	= 0.72 Amps
Max. Locked Rotor Current	= 1.300 Amps
Running Power	= 35 Watts
Average Speed	= 3400 RPM
Bearings	= Ball
Air Flow	= 300 CFM
Acoustics	= 57.1 dBA

Construction:

Venturi: Single piece diecast aluminum, black.
 Propeller: Polycarbonate, UL94V-0 rated, black.

Life Expectancy:

This fan is designed for continuous duty life of 76,000 hours at 40°C

Agency Certification:

UL, CSA, TUV

Additional Features:

Brushless DC
 Electronic Locked Rotor Protected
 Polarity Protection
 Operating Temperature: -10 deg C to +70 deg C
 Storage Temperature: -40 deg C to +85 deg C

Fan Performance Sensor (FPS):

Output: Inverted Open Collector
 Ic: 80mA Max.
 Vc: 60VDC Max.
 Logic Level: Low on Pass, High on Fail
 Delay: 10+/-4 seconds
 Latching: No
 Isolated: No
 Trip Point: 1900 RPM

Termination:

24" Harness Assembly, 22AWG, UL Style 1061
 Molex Plug - 03-06-2032

Red = (+) Fan Power
 Black = (-) Fan Ground
 Blue/White = FPS Output