

REVISIONS					
P	LTR	DESCRIPTION	DATE	DWN	APVD
L		REVISED PER ECN-22-187636	30NOV2022	MM	LR

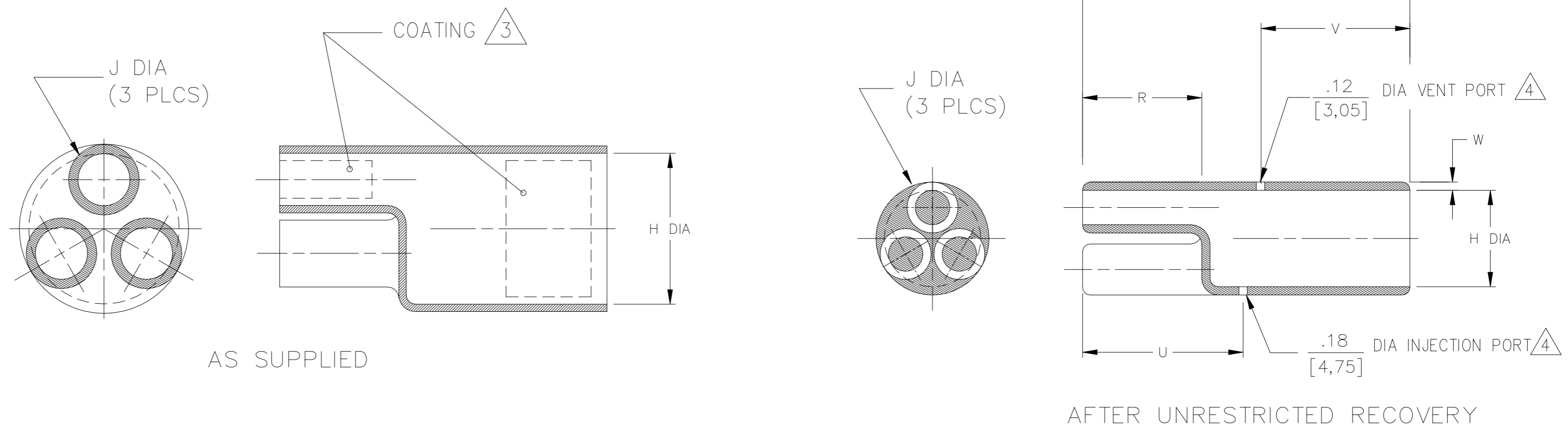
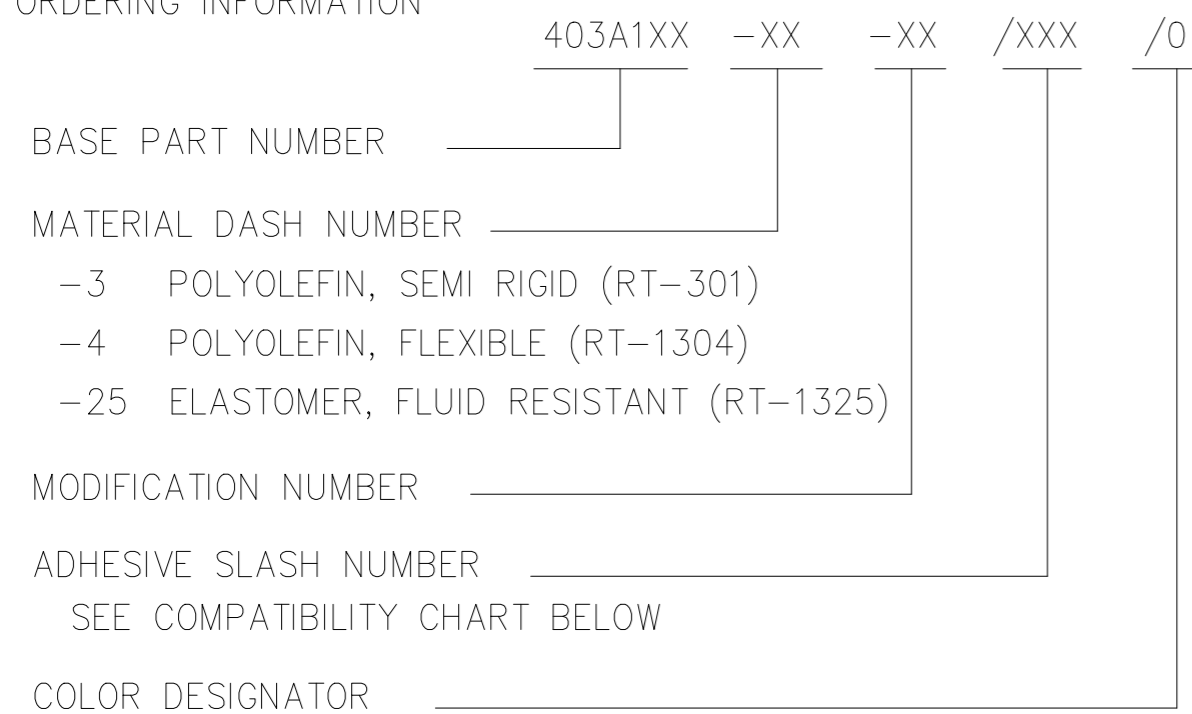
### NOTES

- ALL DIMENSIONS ARE IN  $\frac{\text{INCHES}}{\text{MILLIMETERS}}$
- DIMENSIONS APPEARING IN TABLE ARE AS FOLLOWS:
  - a - AS SUPPLIED
  - b - AFTER UNRESTRICTED RECOVERY

3. COATING (ADHESIVE): IS OPTIONAL AS SUPPLIED DIMENSIONS APPEARING IN TABLE ARE FOR UNCOATED PARTS. WHEN COATING IS ADDED, ENTRY DIAMETER WILL BE REDUCED BY .06 [1.5] MAX.

4. MOLDING PORTS ARE OPTIONAL. WHEN -00 MODIFICATION NUMBER IS SPECIFIED MOLDING PORTS WILL BE LOCATED AS SHOWN.

### 5. ORDERING INFORMATION



PART DESCRIPTION	H		J		P	R	W	U	V
	MIN	MAX	MIN	MAX	±10%	MIN	±20%	REF	REF
	a	b	a	b	b	b	b	b	b
403A123	1.25 [31,7]	.69 [17,5]	.55 [14,0]	.18 [4,6]	3.50 [88,9]	.80 [20,3]	.09 [2,3]	1.34 [34,0]	1.48 [37,6]
403A134	1.75 [44,4]	.90 [22,8]	.87 [22,0]	.32 [8,1]	3.50 [88,9]	1.20 [30,5]	.12 [3,1]	1.59 [40,4]	1.59 [40,4]
403A145	2.46 [62,5]	1.40 [35,6]	1.16 [29,5]	.50 [12,7]	5.00 [127,0]	1.50 [38,1]	.12 [3,0]	2.19 [55,6]	2.00 [50,8]
403A155	2.76 [70,1]	1.40 [35,6]	1.16 [29,5]	.50 [12,7]	5.00 [127,0]	1.50 [38,0]	.12 [3,0]	2.19 [55,6]	2.00 [50,8]

MATERIAL DASH NO.	ADHESIVE (COATING) SLASH NUMBER	ADHESIVE (COATING) S NUMBER
-3	/42; /86 /180	S-1017; S-1048; S-1030
-4	/42; /86 /180	S-1017; S-1048; S-1030
-25	/42; /86 /225	S-1017; S-1048; S-1206

THIS DRAWING IS A CONTROLLED DOCUMENT.		DWN M MAZARIEGOS 30NOV2022		
DIMENSIONS: INCHES		CHK J LIMA 28NOV2022		
TOLERANCES UNLESS OTHERWISE SPECIFIED:		APVD L RODRIGUEZ 24NOV2022	NAME	
0 PLC ± -		PRODUCT SPEC	Cable Breakout, 1 to 3	
1 PLC ± -		APPLICATION SPEC	SIZE CAGE CODE DRAWING NO RESTRICTED TO	
2 PLC ± -		WEIGHT 0	A2 06090 C=403A123THRU155 -	
3 PLC ± -		CUSTOMER DRAWING	SCALE DNS SHEET 1 of 1 REV L	
4 PLC ± -				
ANGLES ± -				
FINISH				

403A123THRU155