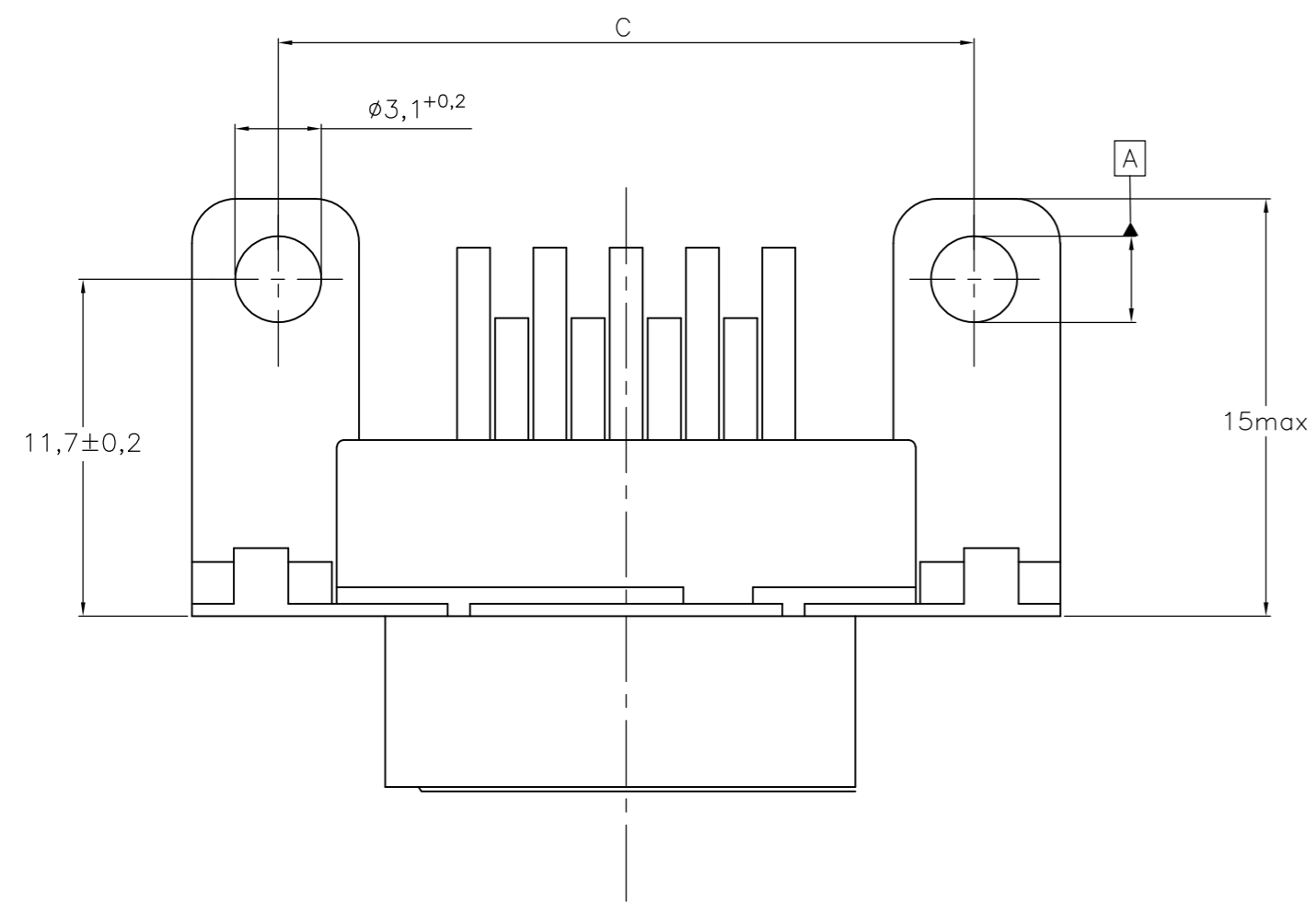
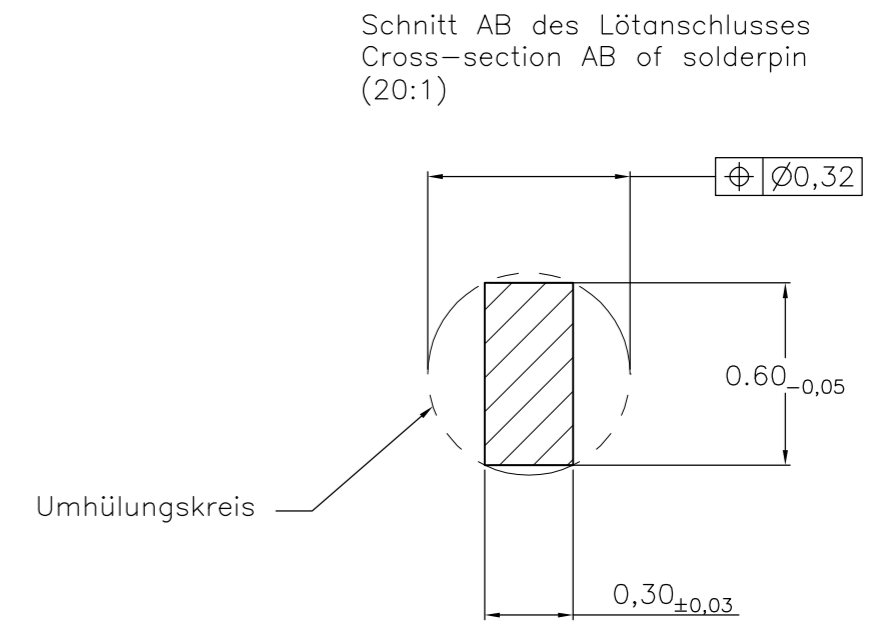
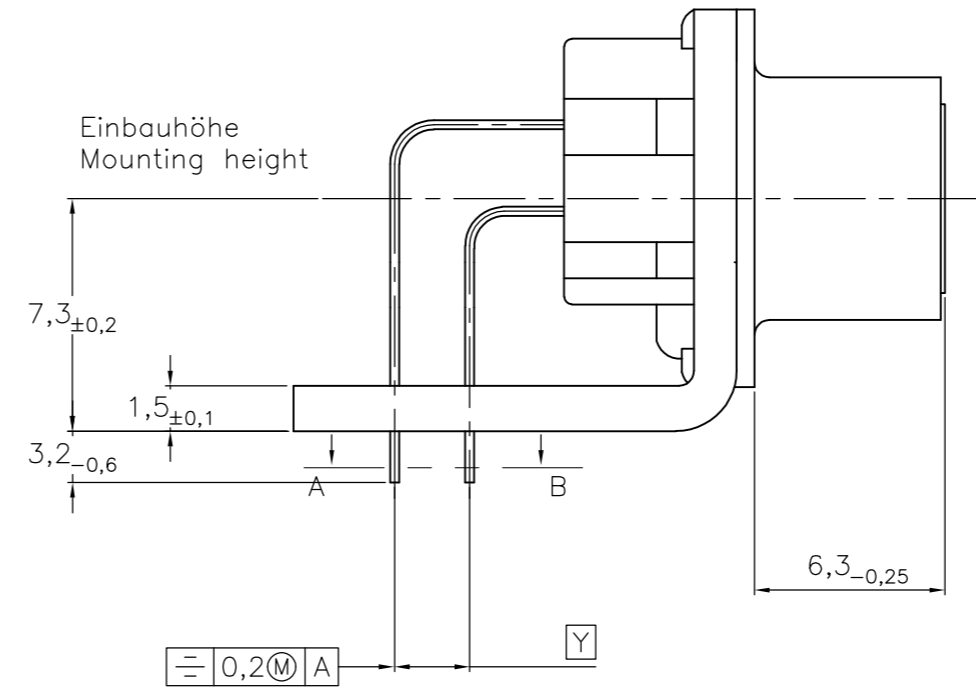
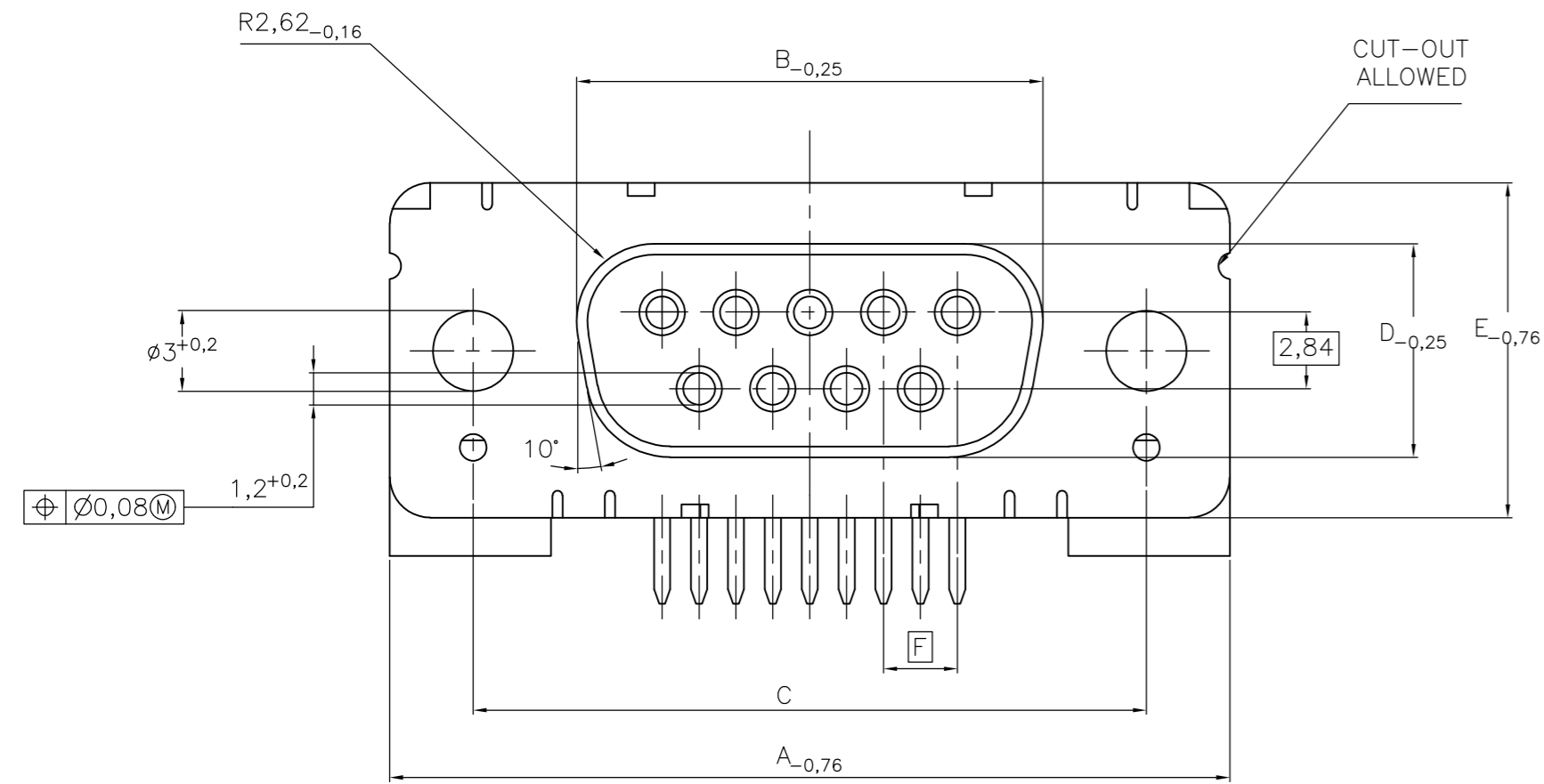


REVISIONS					
P	LTR	DESCRIPTION	DATE	DWN	APVD
G		REVISED PER ECO-16-017117	29NOV2016	AP	DG

Standardausführung: V23529-A₂1x1-Bxxx-+
 Standardversion



Sachnr./Ordernr	Y	Ordercode Sachnr	Contacts Polzahl	Mass/Dimension					
				A	B	C	D	E	F
Axx1x-Bxxx-+	2,84	..-Bx09-+	09	31,19	16,46	25,0 ^{+0,12} / _{-0,13}	8,02	12,93	2,74
Axx2x-Bxxx-+	2,54	..-Bx15-+	15	39,52	24,79	33,3 ^{+0,15} / _{-0,1}			2,74
		..-Bx25-+	25	53,42	38,5	47,04 ^{+0,13} / _{-0,13}			2,76
		..-Bx37-+	37	69,7	54,96	63,5 ^{+0,13} / _{-0,13}			2,76

Anforderungsstufe/Performance level 1)

OLD PN: V23529-A****-B****-7427

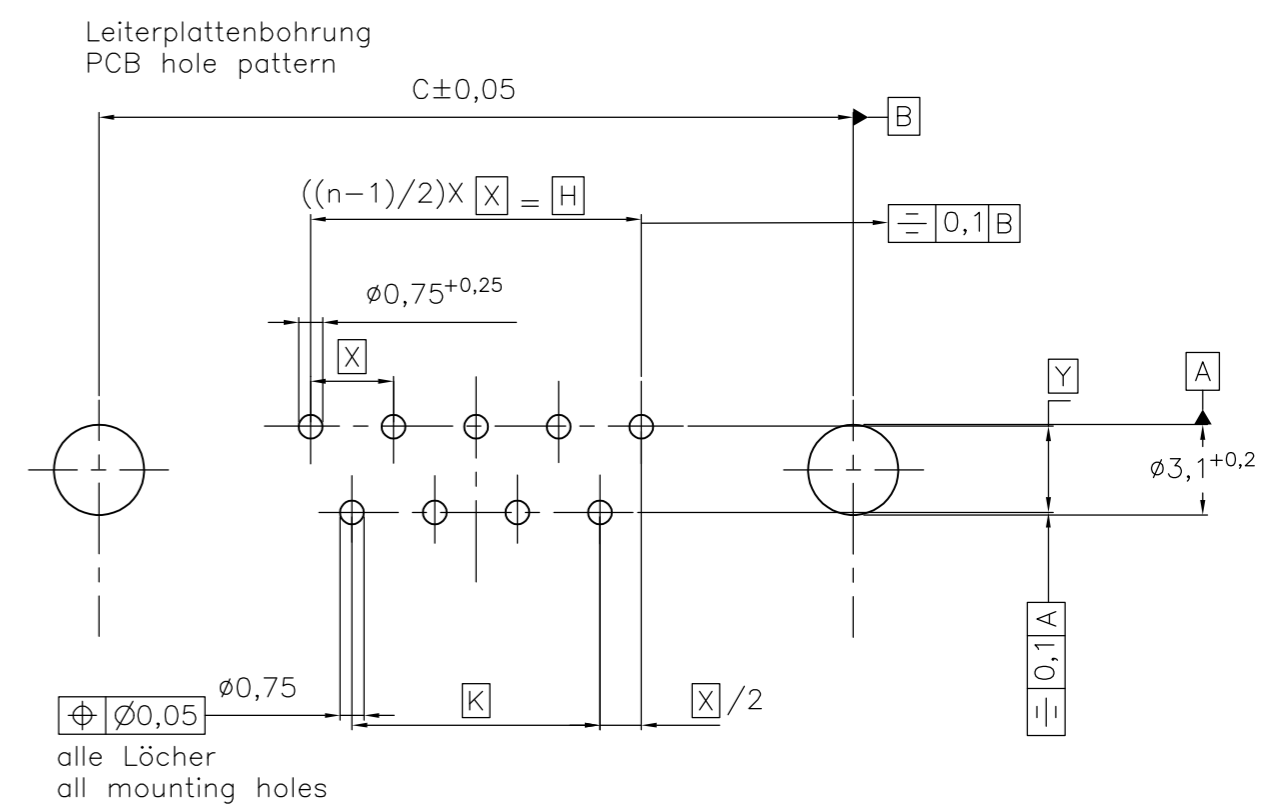
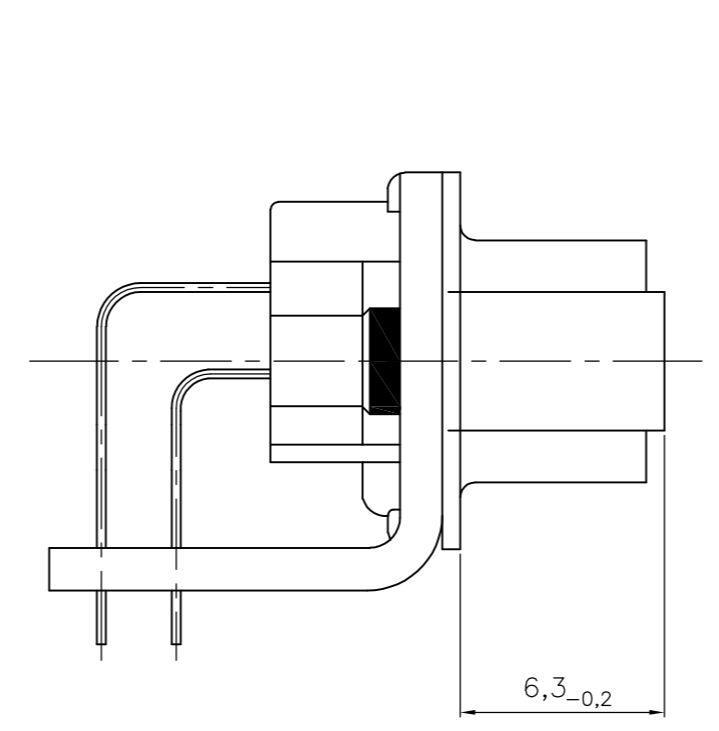
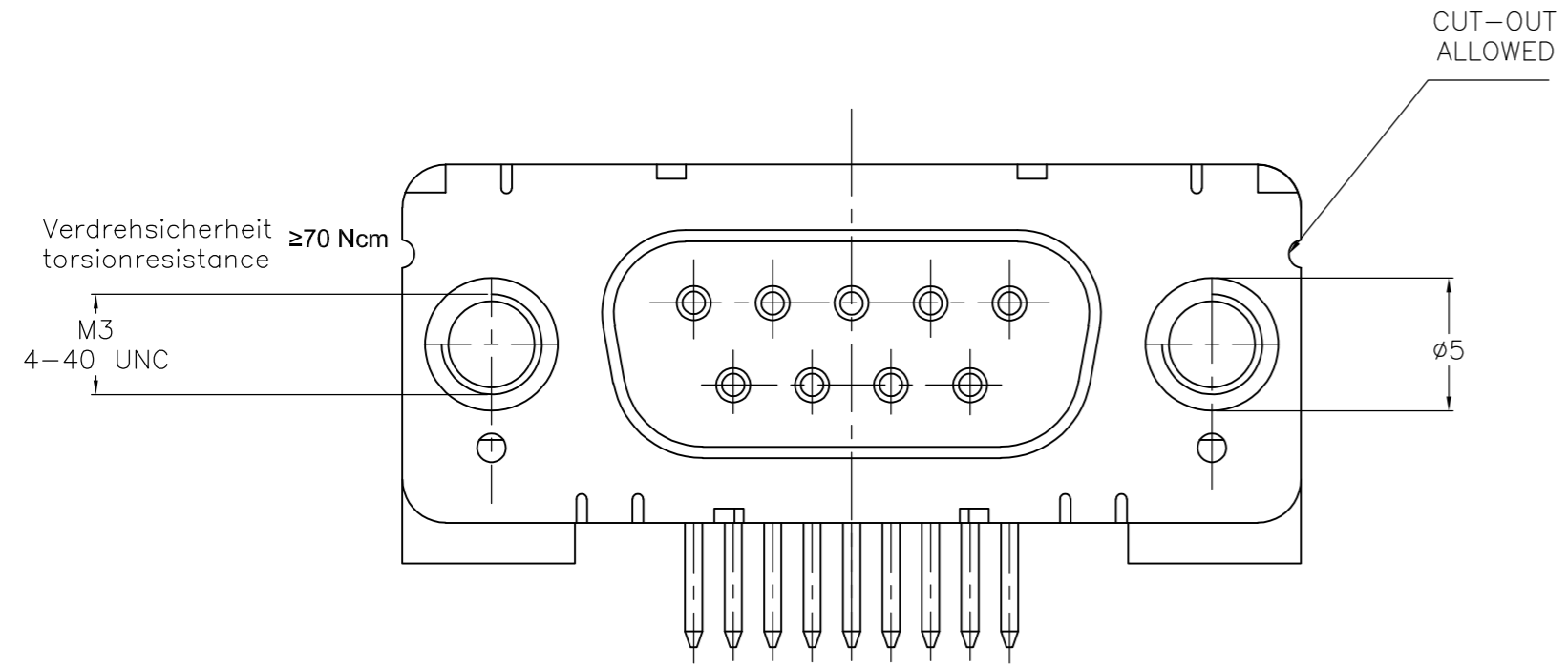
1) nach DIN 41652 T.2 und T.4
 according to DIN 41652 p.2 and p.4

THIS DRAWING IS A CONTROLLED DOCUMENT. DIMENSIONING AND TOLERANCING PER ASME Y14.5M-2009		DWN: GNANI JADAV A E	TE Connectivity	
DIMENSIONS: mm		CHK: K.MALCZYK	NAME: Buchsenleiste 90° Lötanschluss (Variant 2 und 3) ¹⁾ Socketconnector 90° solderversion (Type 2 and 3) ¹⁾	
TOLERANCES UNLESS OTHERWISE SPECIFIED: 0 PLC ± - 1 PLC ± - 2 PLC ± - 3 PLC ± - 4 PLC ± - ANGLES ± -		APVD: K.MALCZYK		
MATERIAL: -	FINISH: -	PRODUCT SPEC: -	SIZE: A2	CAGE CODE: 00779
		APPLICATION SPEC: -	DRAWING NO: C=1393478-4	
		WEIGHT: 0	RESTRICTED TO: -	
		CUSTOMER DRAWING		SCALE: 2:1 SHEET: 1 of 8 REV: G

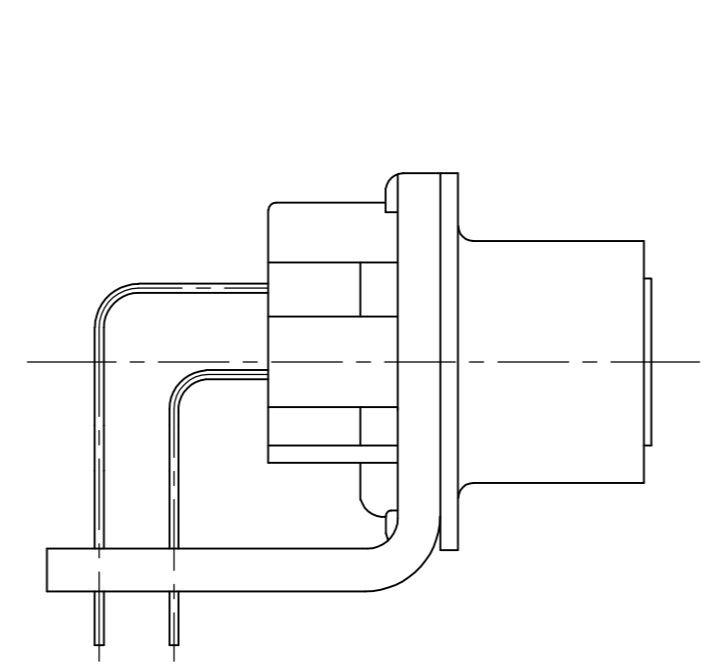
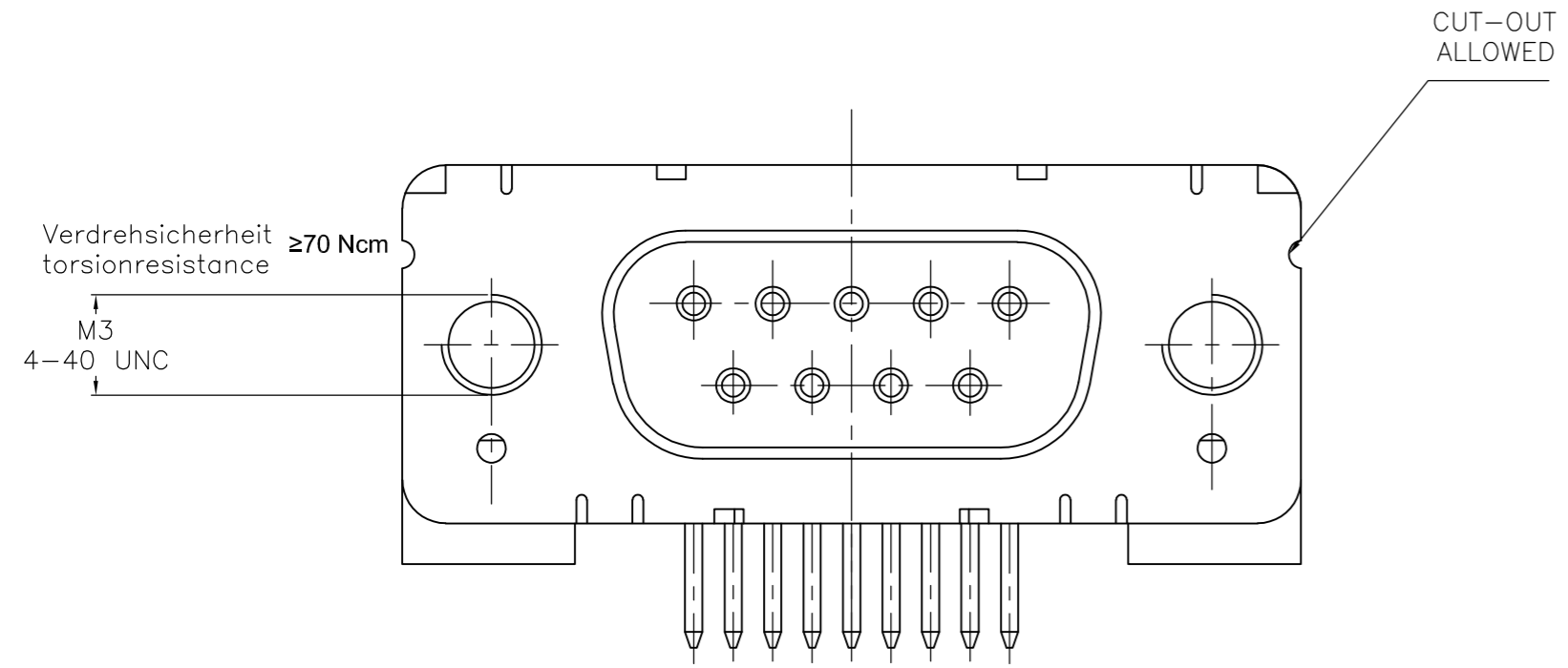
THIS DRAWING IS UNPUBLISHED. RELEASED FOR PUBLICATION
 © COPYRIGHT - By - ALL RIGHTS RESERVED.

REVISIONS				
P	LTR	DESCRIPTION	DATE	APVD
-	-	SEE SHEET 1	-	-

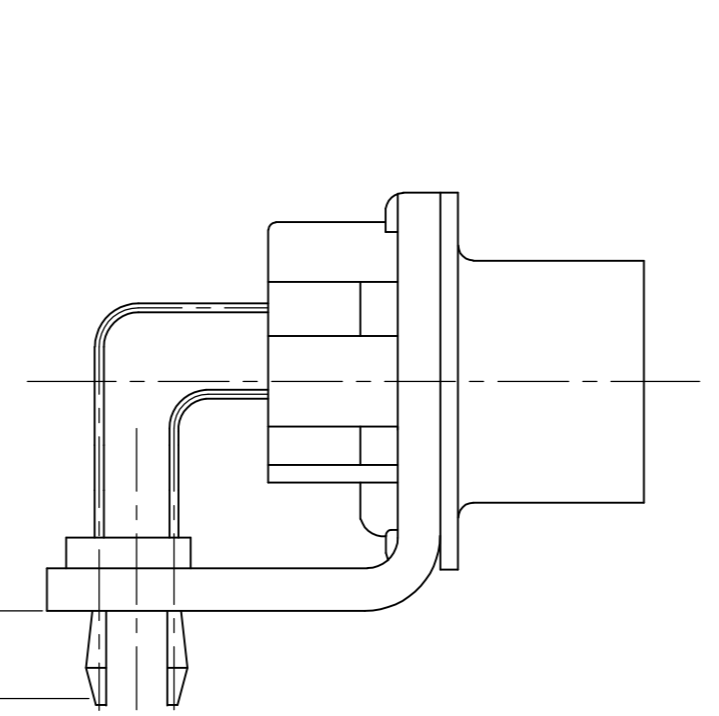
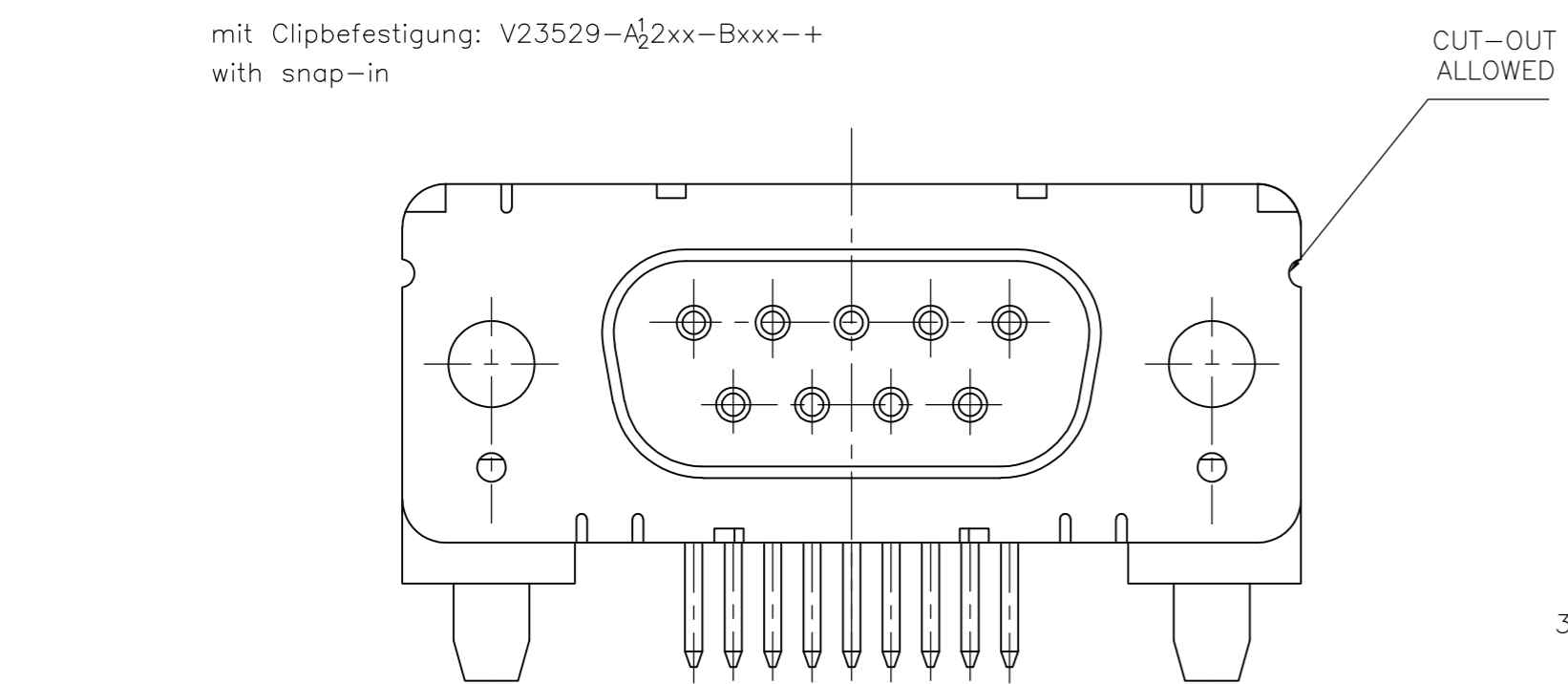
mit Gewindebolzen: M3 V23529-A₁xx4-Bxxx-+
 with thread lock 4-40 UNC V23529-A₂xx5-Bxxx-+



mit Gewinde: M3 V23529-A₁xx2-Bxxx-+
 with thread 4-40 UNC V23529-A₂xx3-Bxxx-+



mit Clipbefestigung: V23529-A₂xx-Bxxx-+
 with snap-in



Mass Dimension	Polzahl n Number of contacts n			
	9	15	25	37
C	25	33,3	47,04	63,5
H	10,96	19,18	33,12	49,68
K	8,22	16,44	30,36	46,92
X	2,74	2,74	2,76	2,76
Y	2,54 ^{ger} 2,84			

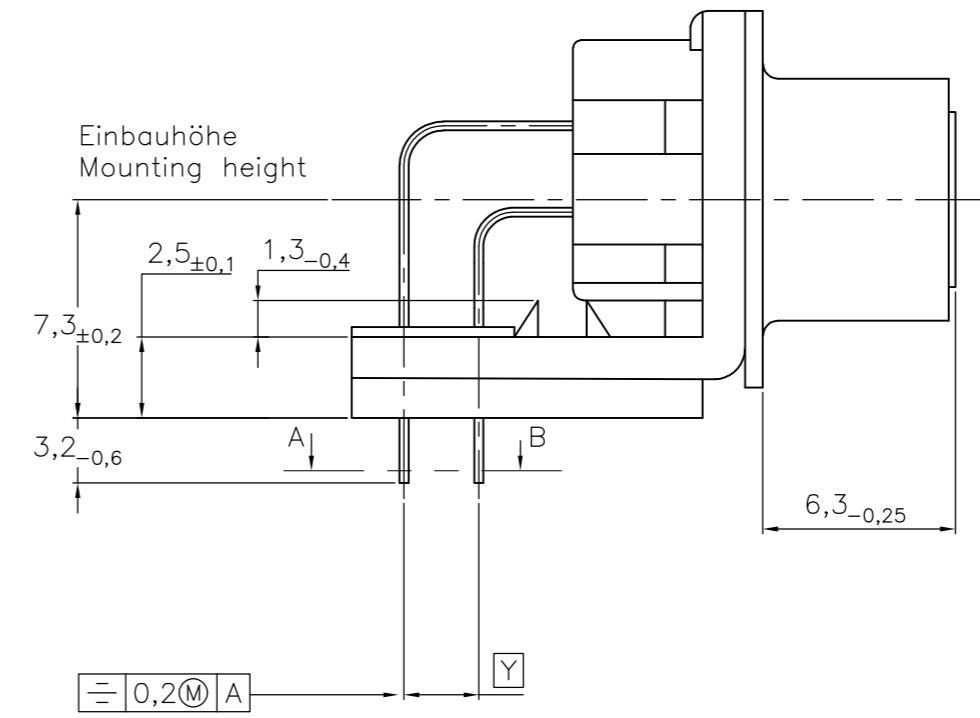
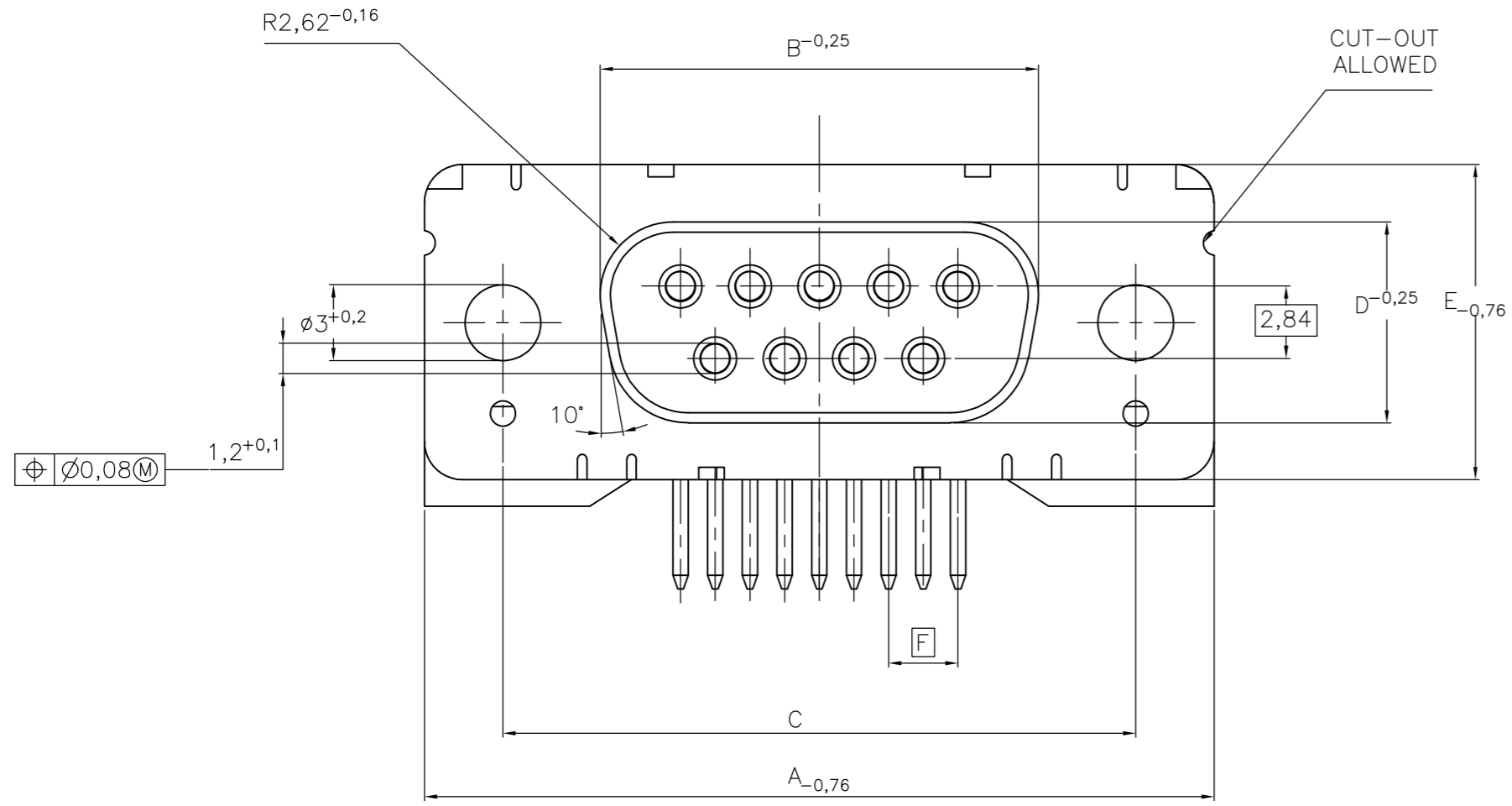
1) nach DIN 41652 T,2 UND T,4
 according to DIN 41652 p,2 AND p,4

OLD PN: V23529-A*****B***-7427

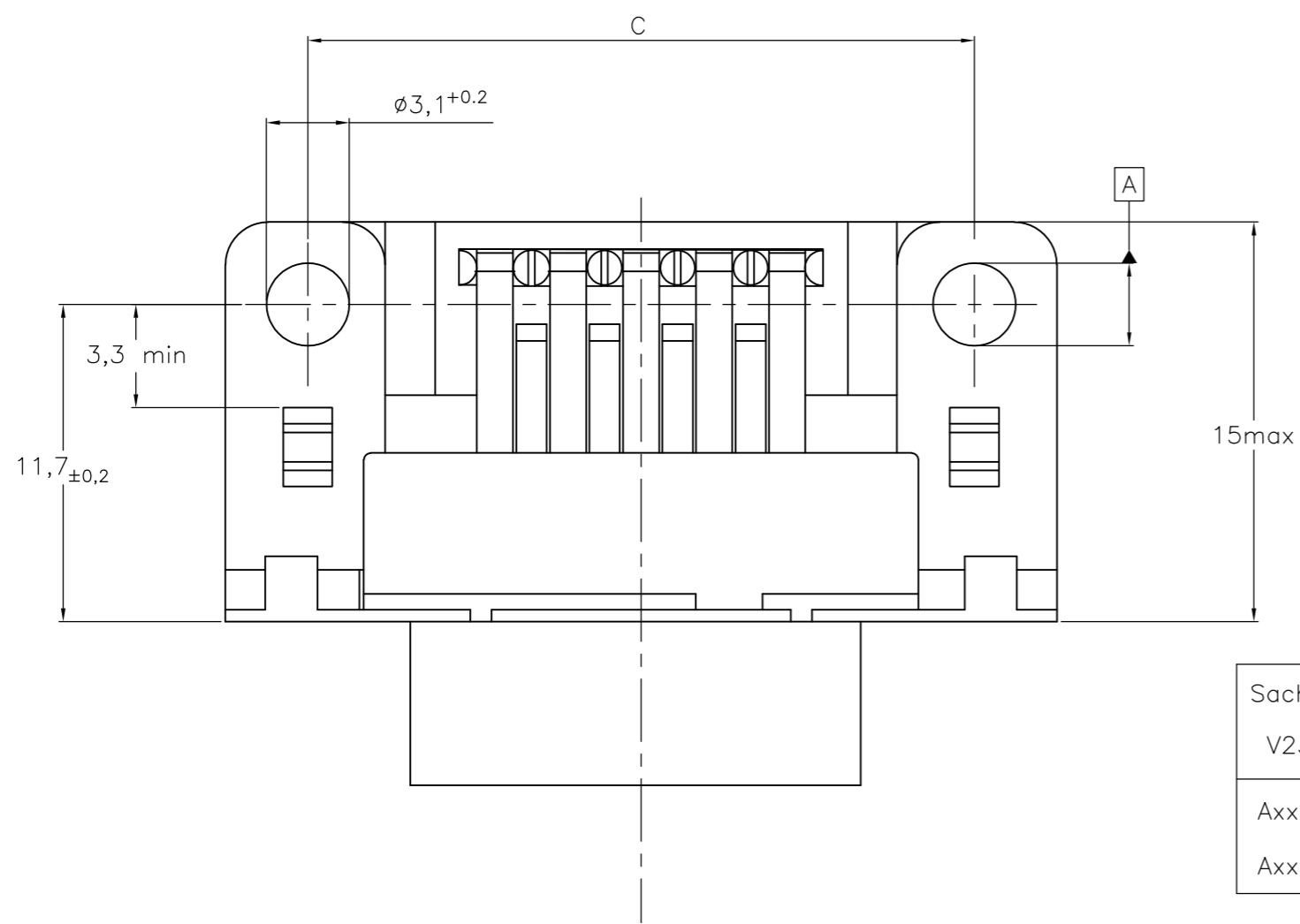
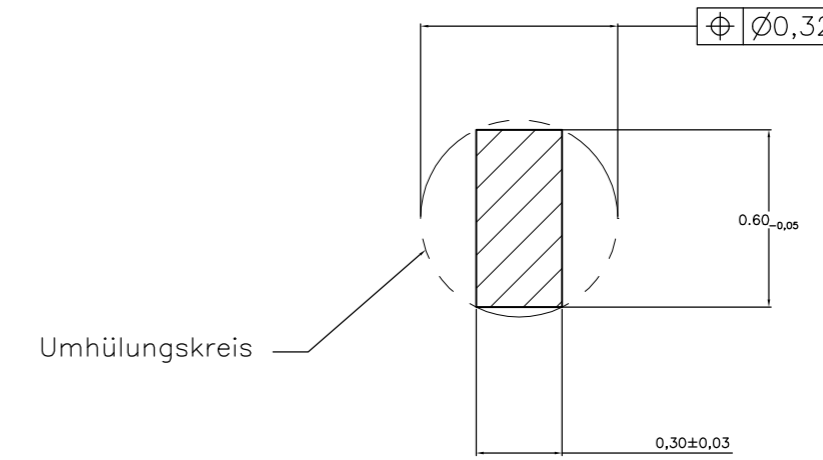
THIS DRAWING IS A CONTROLLED DOCUMENT. DIMENSIONING AND TOLERANCING PER ASME Y14.5M-2009		DWN GNANI JADAV A E	07JAN10		STE TE Connectivity
DIMENSIONS: mm		CHK K.MALCZYK	-		
TOLERANCES UNLESS OTHERWISE SPECIFIED:		APVD K.MALCZYK	-		NAME Buchsenleiste 90° Löt Ausführung (Variant 2 und 3) ¹⁾ Socketconnector, 90° solderversion (Type 2 and 3) ¹⁾
0 PLC ± - 1 PLC ± - 2 PLC ± - 3 PLC ± - 4 PLC ± - ANGLES ± -		PRODUCT SPEC -	-		
MATERIAL -		FINISH -	APPLICATION SPEC -	WEIGHT -	SIZE A2
		CAGE CODE 00779		DRAWING NO. C-1393478-4	RESTRICTED TO -
		CUSTOMER DRAWING		SCALE 2:1	SHEET 2 of 8
				REV G	

REVISIONS					
P	LTR	DESCRIPTION	DATE	DWN	APVD
-	-	SEE SHEET 1	-	-	-

Standardausführung isoliert: V23529-A₃1x1-Bxxx-+
 Standardversion insulated



Schnitt AB des Lötanschlusses
 Cross-section AB of solderpin
 (20:1)



Sachnr/Ordernr	Y
V23529-	Y
Axx1x-Bxxx-+	2,84
Axx2x-Bxxx-+	2,54

Ordercode Sachnr	Contacts Polzahl	Mass/Dimension					
		A	B	C	D	E	F
..-Bx09-+	09	31,19	16,46	25,0 $\begin{smallmatrix} +0,12 \\ -0,13 \end{smallmatrix}$	8,02	12,93	2,74
..-Bx15-+	15	39,52	24,79	33,3 $\begin{smallmatrix} +0,15 \\ -0,1 \end{smallmatrix}$			2,74
..-Bx25-+	25	53,42	38,5	47,04 $\begin{smallmatrix} +0,13 \\ -0,13 \end{smallmatrix}$			2,76
..-Bx37-+	37	69,7	54,96	63,5 $\begin{smallmatrix} +0,13 \\ -0,13 \end{smallmatrix}$			2,76

Anforderungsstufe/Performance level ¹⁾

OLD PN: V23529-A****-B****-*-7427

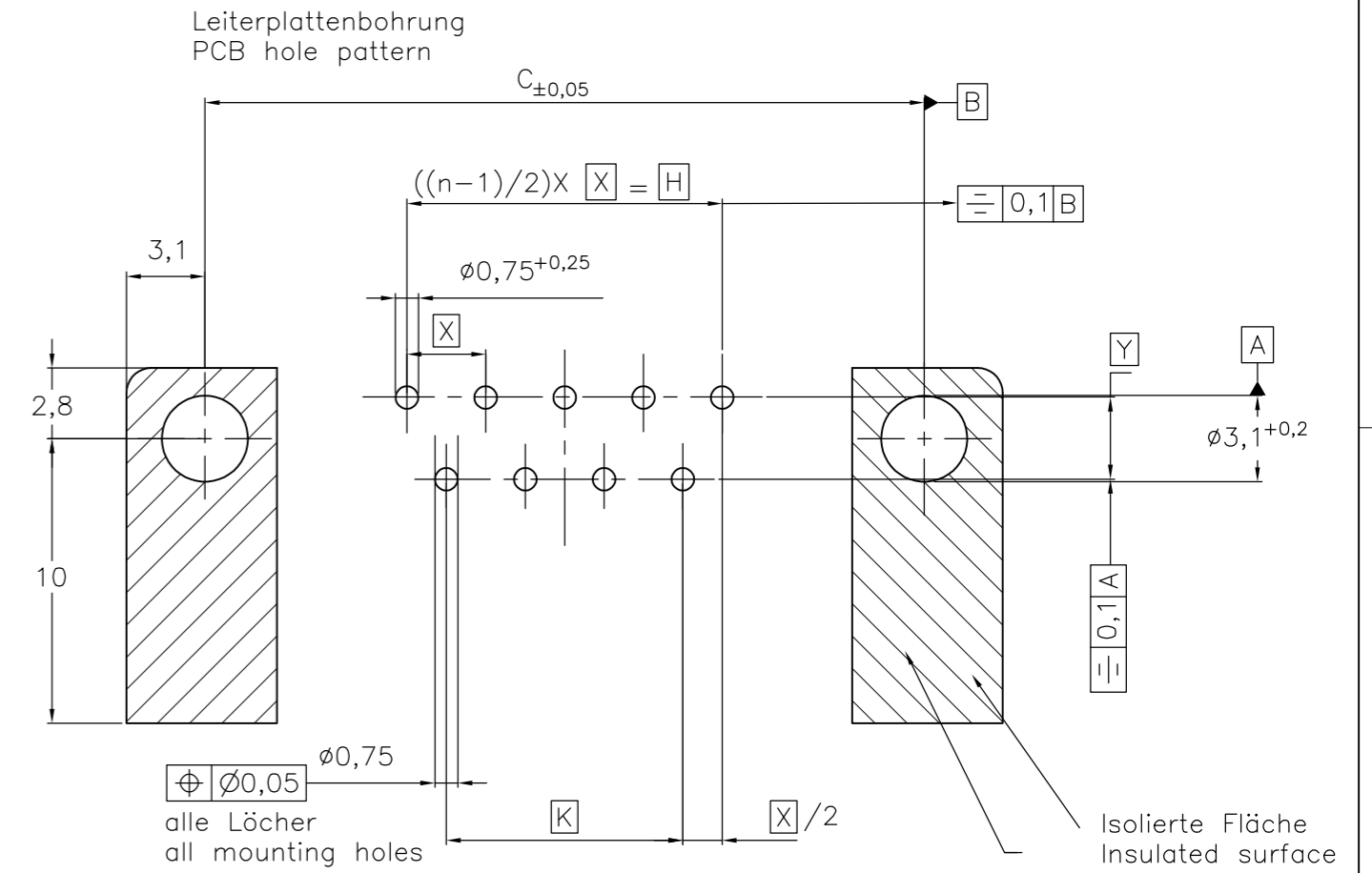
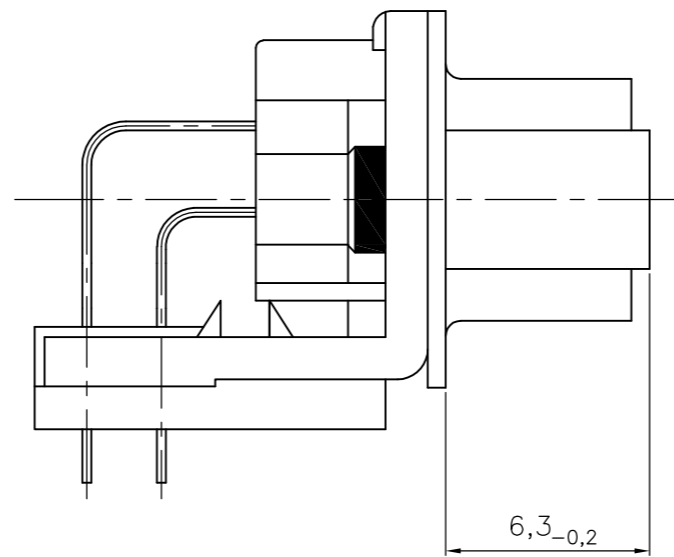
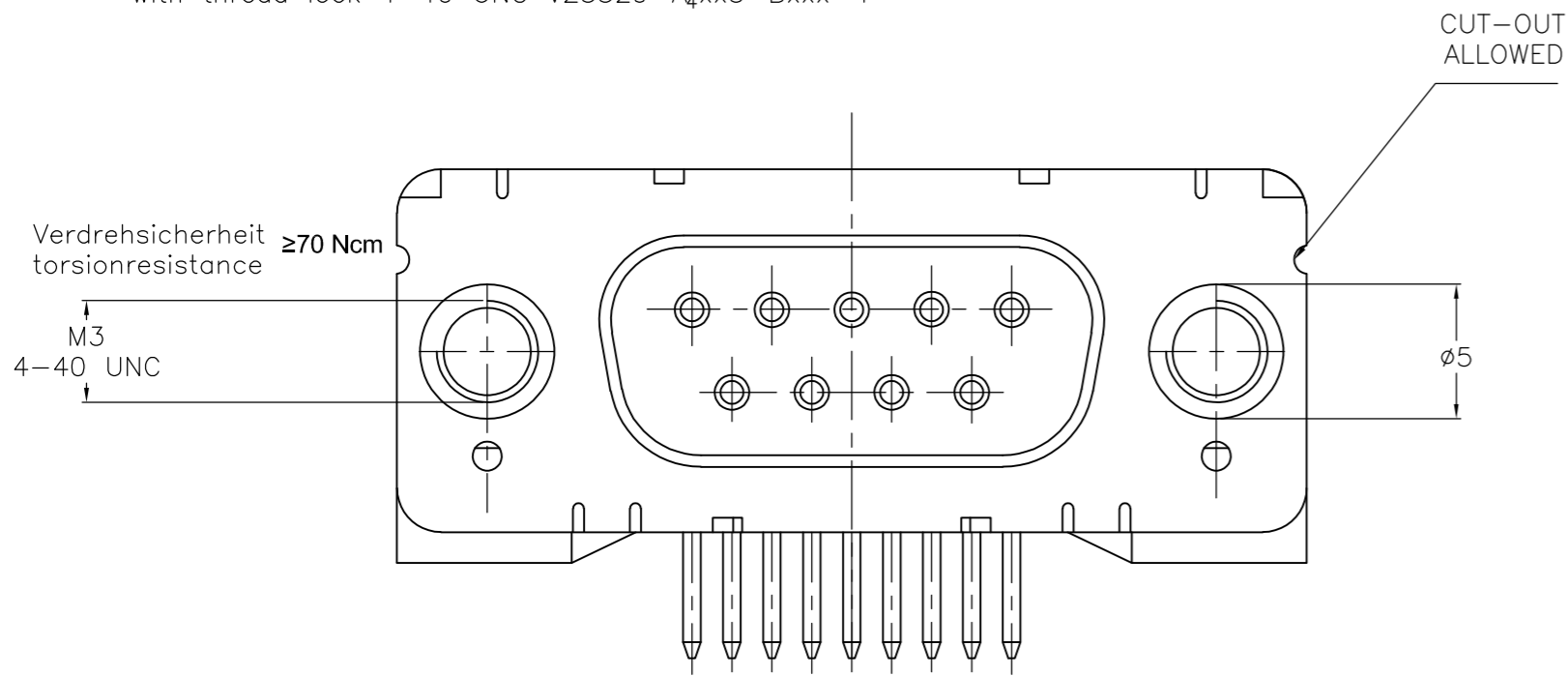
1) nach DIN 41652 T.2 und T.4
 according to DIN 41652 p.2 and p.4

THIS DRAWING IS A CONTROLLED DOCUMENT. DIMENSIONING AND TOLERANCING PER ASME Y14.5M-2009		DWN: GNANI JADAV A E CHK: K.MALCZYK APVD: K.MALCZYK PRODUCT SPEC: - APPLICATION SPEC: -	TE Connectivity	
DIMENSIONS: mm 		TOLERANCES UNLESS OTHERWISE SPECIFIED: 0 PLC ± - 1 PLC ± - 2 PLC ± - 3 PLC ± - 4 PLC ± - ANGLES ± - MATERIAL: - FINISH: -		NAME: Buchsenleiste 90° Lötanschluss (Variant 2 und 3) ¹⁾ Socketconnector, 90° solderversion (Type 2 and 3) ¹⁾
SCALE: 2:1		SIZE: A2	CAGE CODE: 00779	DRAWING NO: C-1393478-4
CUSTOMER DRAWING			SHEET: 3 of 8	REV: G

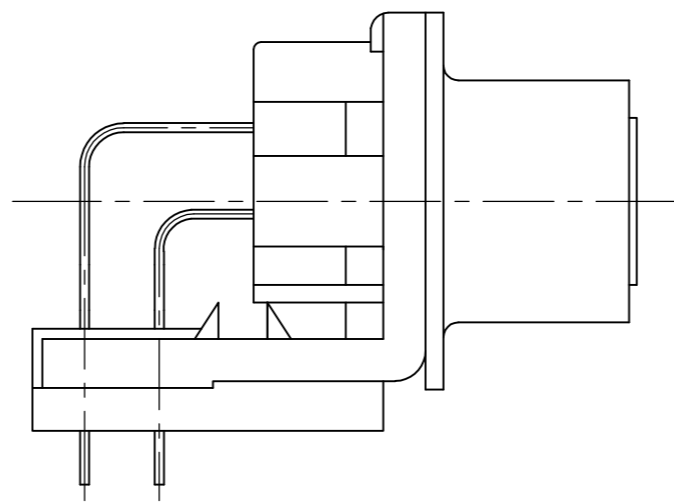
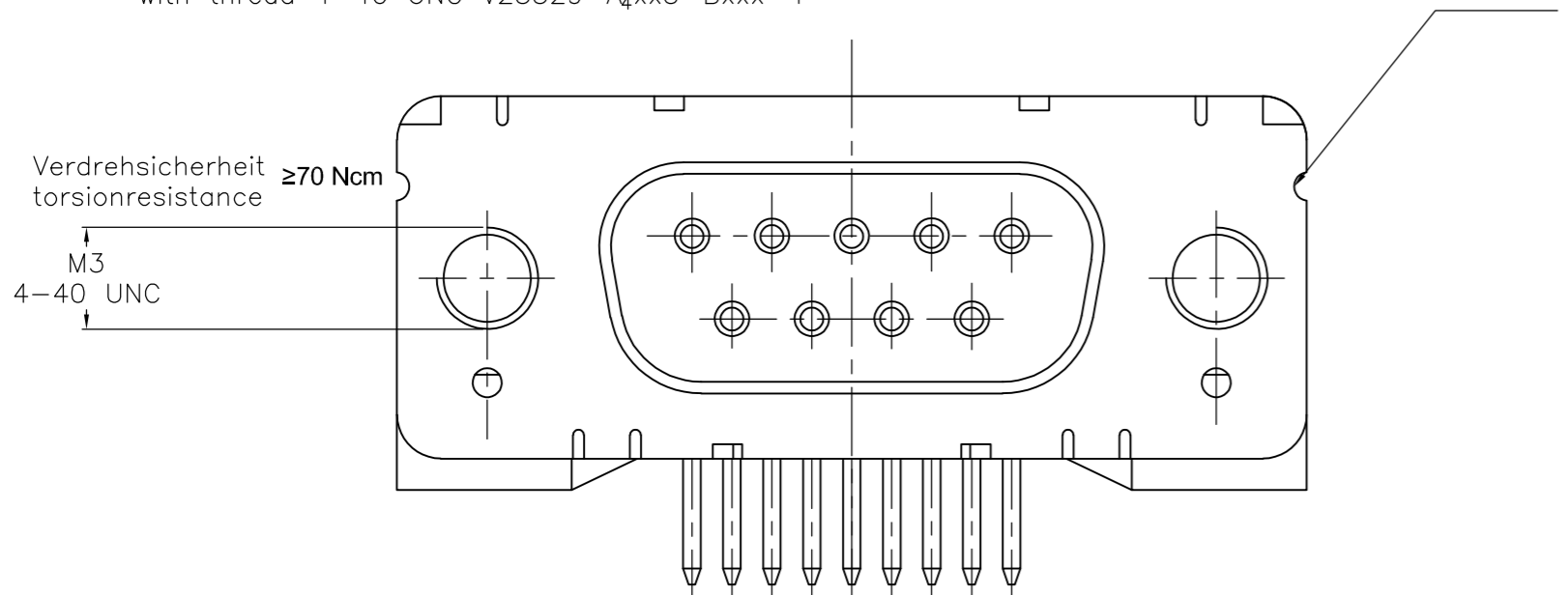
THIS DRAWING IS UNPUBLISHED. RELEASED FOR PUBLICATION
 © COPYRIGHT - B3 ALL RIGHTS RESERVED.

REVISIONS				
P	LTR	DESCRIPTION	DATE	APVD
-	-	SEE SHEET 1	-	-

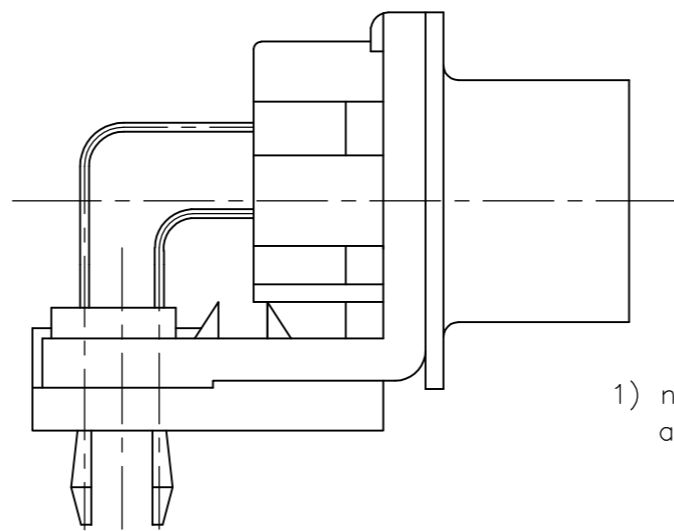
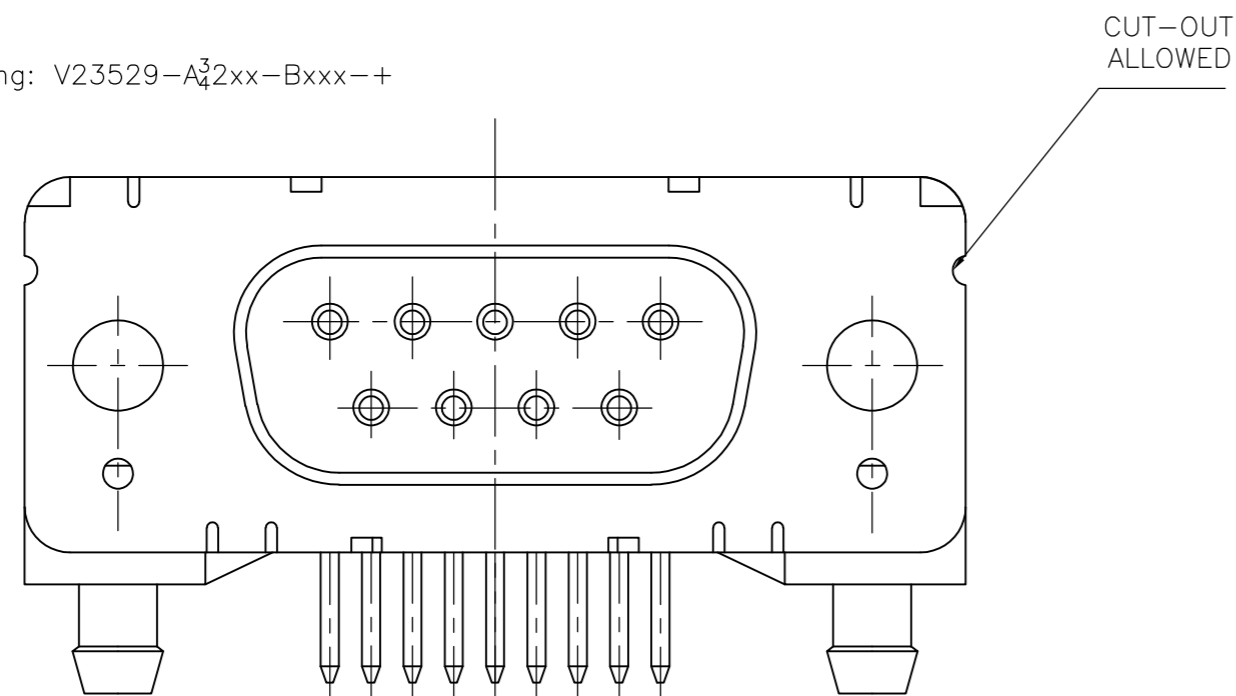
mit Gewindebolzen: M3 V23529-A₃xx4-Bxxx-+
 with thread lock 4-40 UNC V23529-A₃xx5-Bxxx-+



mit Gewinde: M3 V23529-A₃xx2-Bxxx-+
 with thread 4-40 UNC V23529-A₃xx3-Bxxx-+



mit Clipbefestigung: V23529-A₃2xx-Bxxx-+
 with snap-in



Mass Dimension	Polzahl n Number of contacts n			
	9	15	25	37
C	25	33,3	47,04	63,5
H	10,96	19,18	33,12	49,68
K	8,22	16,44	30,36	46,92
X	2,74	2,74	2,76	2,76
Y	2,54 ^{ger} 2,84			

1) nach DIN 41652 T,2 UND T,4
 according to DIN 41652 p,2 AND p,4

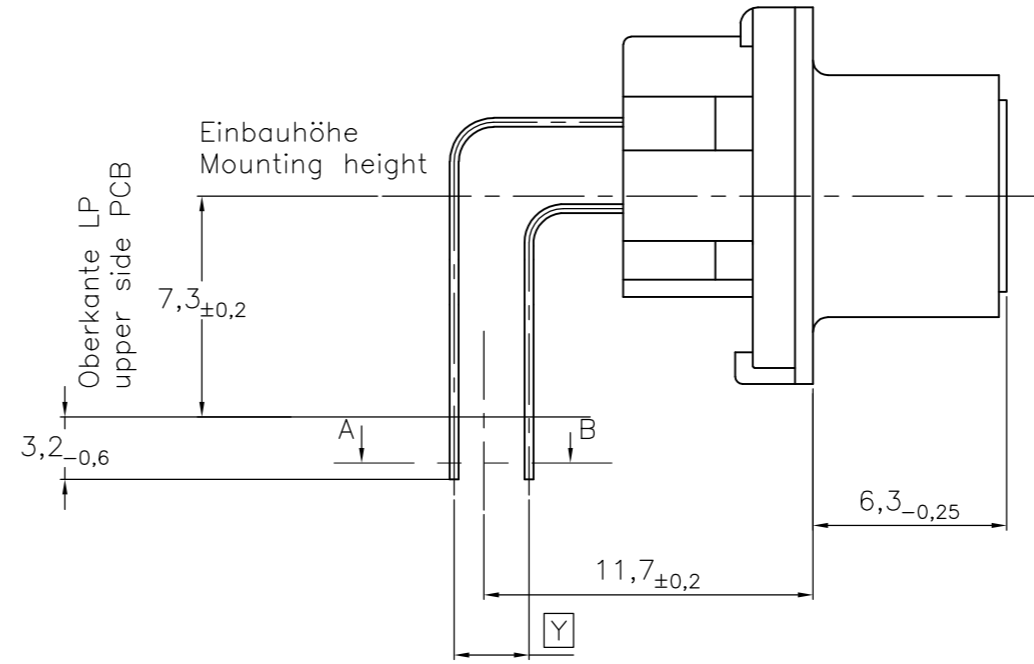
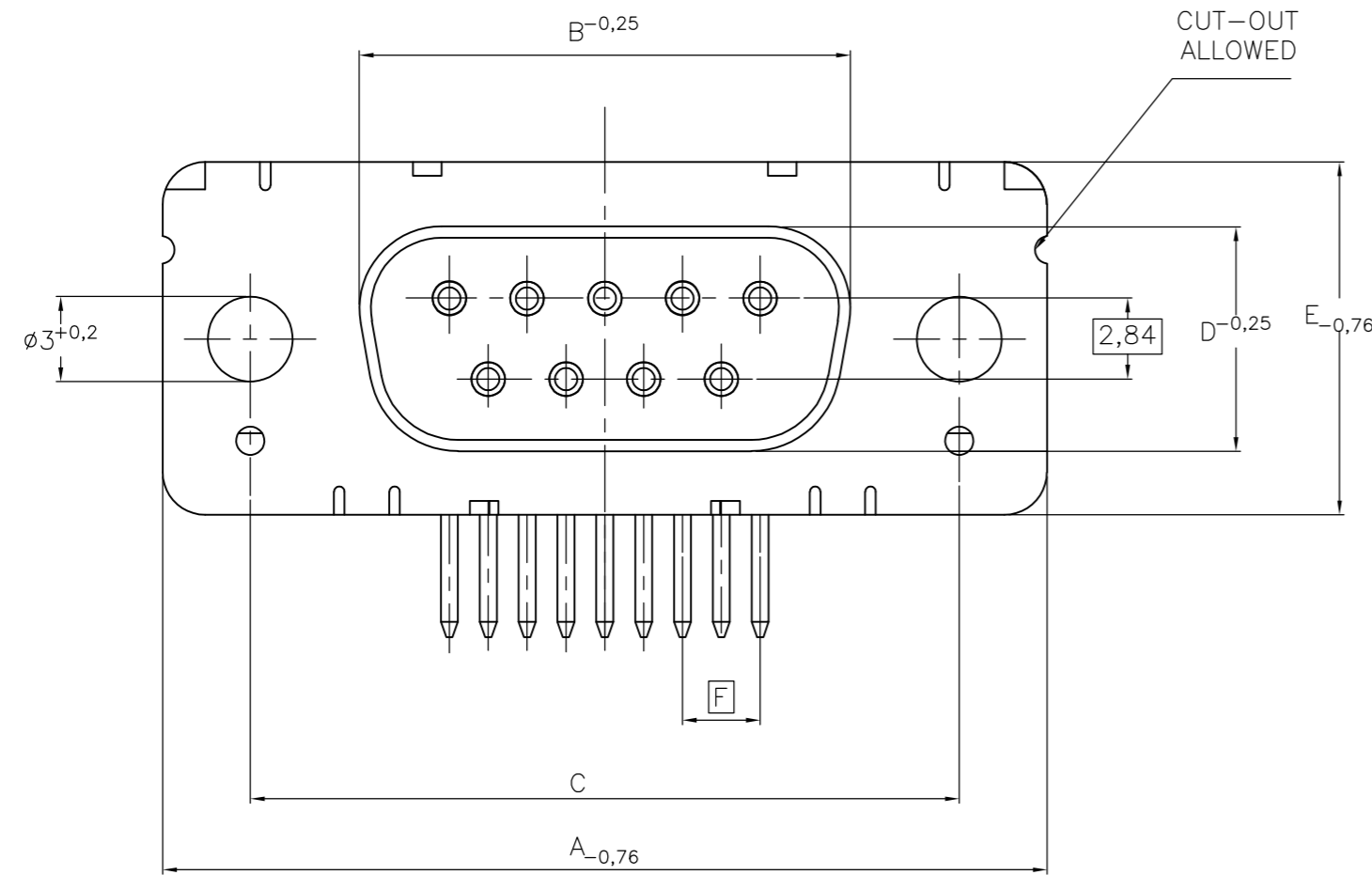
OLD PN: V23529-A****B***-*-7427

THIS DRAWING IS A CONTROLLED DOCUMENT. DIMENSIONING AND TOLERANCING PER ASME Y14.5M-2009		DWN: GNANI JADAV A E 07JAN10	STE TE Connectivity	
DIMENSIONS: mm		CHK: K.MALCZYK		
TOLERANCES UNLESS OTHERWISE SPECIFIED:		APVD: K.MALCZYK	Socketconnector, 90° solderversion (Type 2 and 3) ¹⁾	
0 PLC ± -		PRODUCT SPEC: -	SIZE: A2	CAGE CODE: 00779
1 PLC ± -		APPLICATION SPEC: -	DRAWING NO: C=1393478-4	
2 PLC ± -		WEIGHT: -	RESTRICTED TO: -	
3 PLC ± -		CUSTOMER DRAWING		
4 PLC ± -		SCALE: 2:1	SHEET: 4 of 8	REV: G
ANGLES ± -				
FINISH: -				

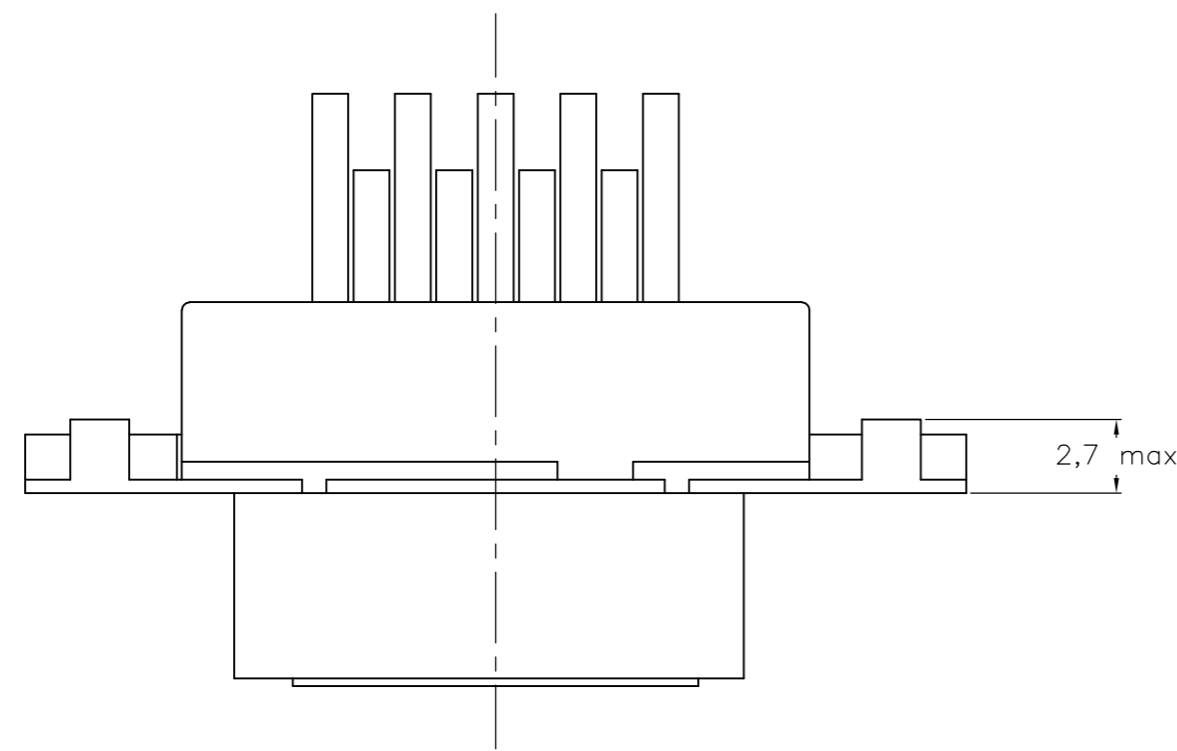
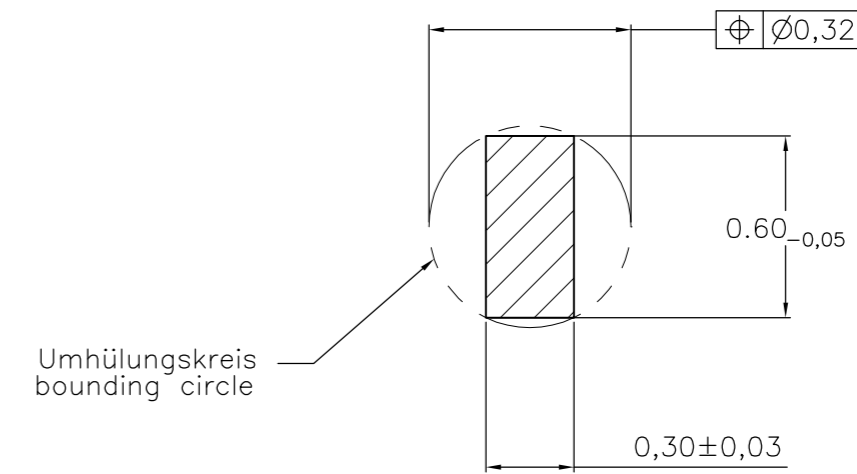
THIS DRAWING IS UNPUBLISHED. RELEASED FOR PUBLICATION
 © COPYRIGHT - By - ALL RIGHTS RESERVED.

REVISIONS				
P	LTR	DESCRIPTION	DATE	APVD
-	-	SEE SHEET 1	-	-

Standardausführung ohne Winkel: V23529-A50x1-Bxxx-+
 Standardversion without bracket



Schnitt AB des Lötanschlusses
 Cross-section AB of solderpin
 (20:1)



Sachnr./Ordernr	Y
V23529-	Y
A501x-Bxxx-+	2,84
A502x-Bxxx-+	2,54

Ordercode	Contacts	Mass/Dimension					
		A	B	C	D	E	F
..-Bx09-+	09	31,19	16,46	25,0 +0,12 -0,13	8,02	12,93	2,74
..-Bx15-+	15	39,52	24,79	33,3 +0,15 -0,1			2,74
..-Bx25-+	25	53,42	38,5	47,04 +0,13 -0,13			2,76
..-Bx37-+	37	69,7	54,96	63,5 +0,13 -0,13			2,76

Anforderungsstufe/Performance level 1)

OLD PN: V23529-A****-B***-*-7427

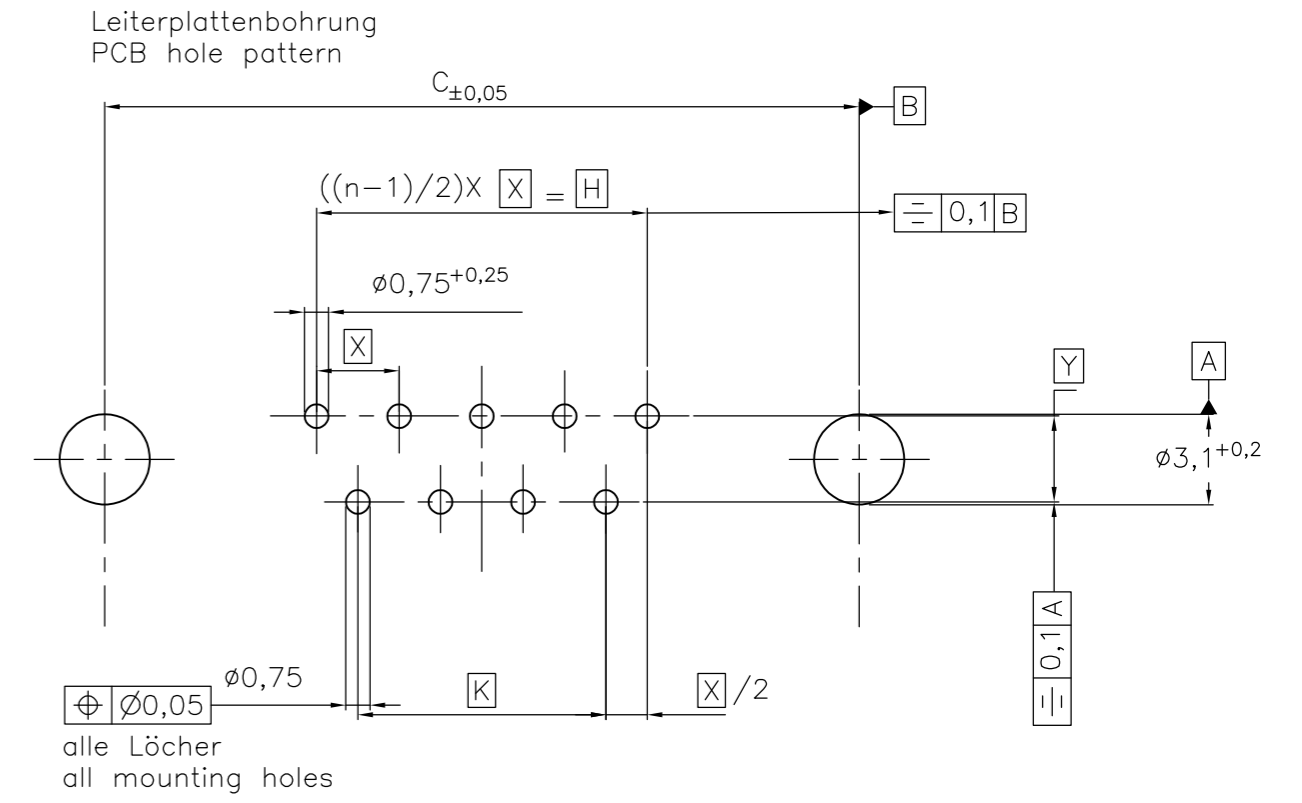
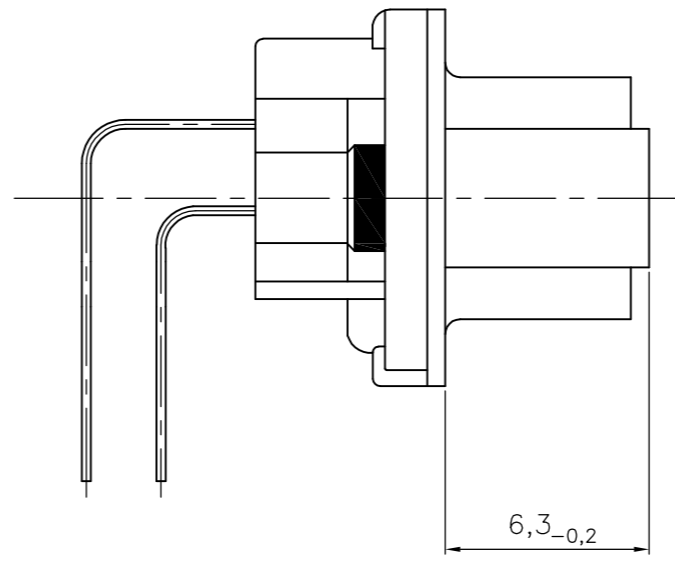
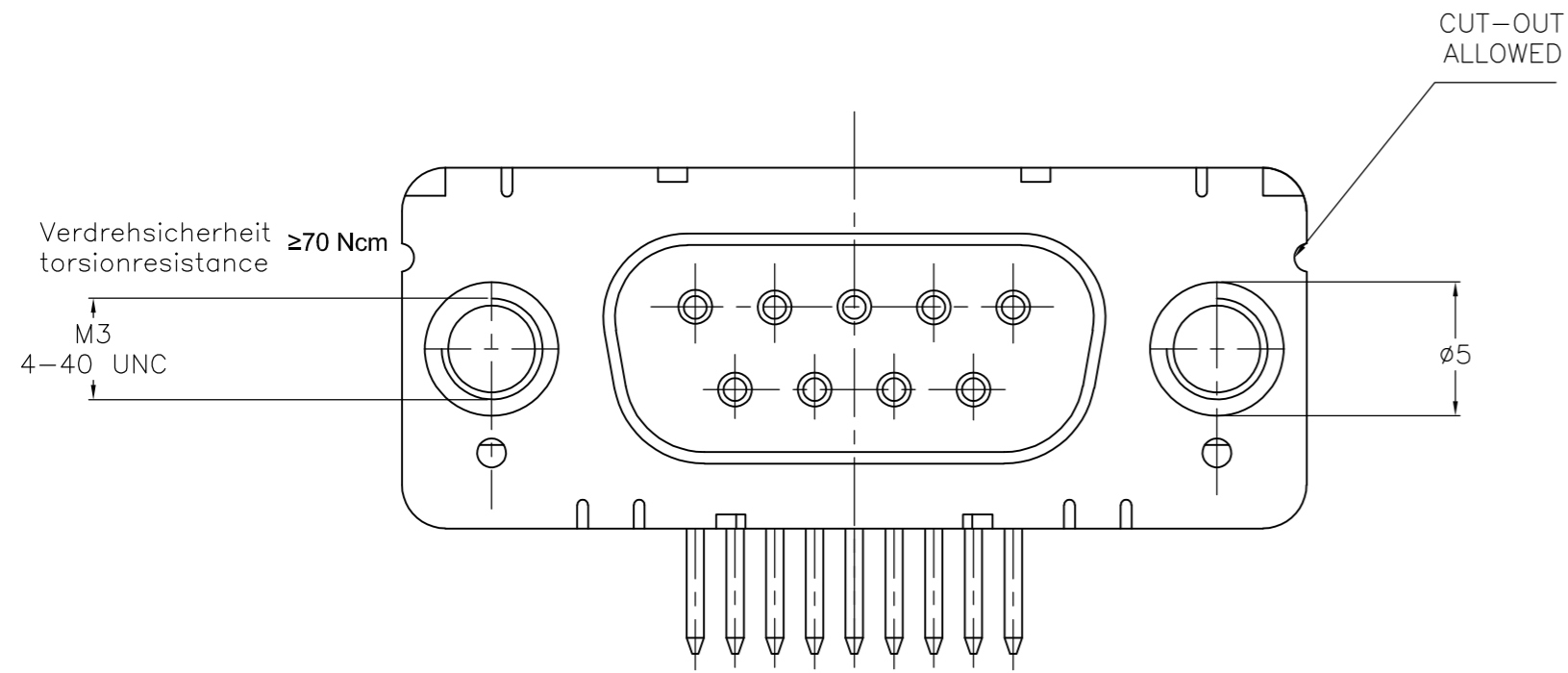
1) nach DIN 41652 T.2 und T.4
 according to DIN 41652 p.2 and p.4

THIS DRAWING IS A CONTROLLED DOCUMENT. DIMENSIONING AND TOLERANCING PER ASME Y14.5M-2009		DWN: GNANI JADAV A E 07JAN10	TE Connectivity	
DIMENSIONS: mm		CHK: K.MALCZYK		
TOLERANCES UNLESS OTHERWISE SPECIFIED:		APVD: K.MALCZYK	PRODUCT SPEC: Socketconnector, 90° solderversion (Type 2 and 3) ¹⁾	
0 PLC ± - 1 PLC ± - 2 PLC ± - 3 PLC ± - 4 PLC ± - ANGLES ± -		APPLICATION SPEC: -	SIZE: A2	
MATERIAL: -	FINISH: -	WEIGHT: -	CAGE CODE: 00779	
CUSTOMER DRAWING			DRAWING NO: C-1393478-4	
SCALE: 2:1		SHEET: 5 of 8	RESTRICTED TO: -	

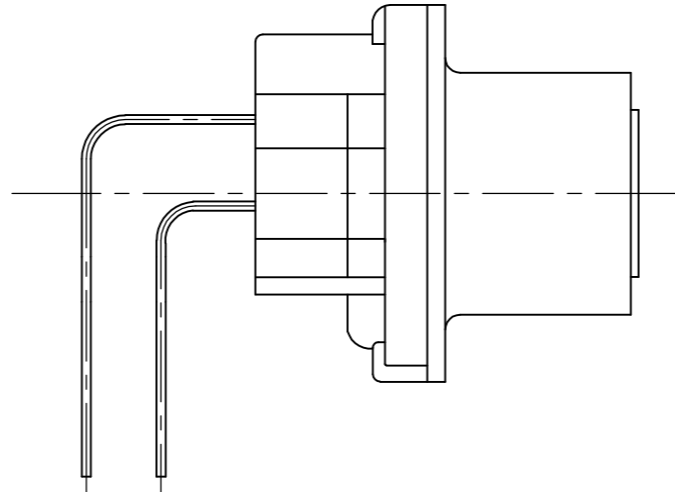
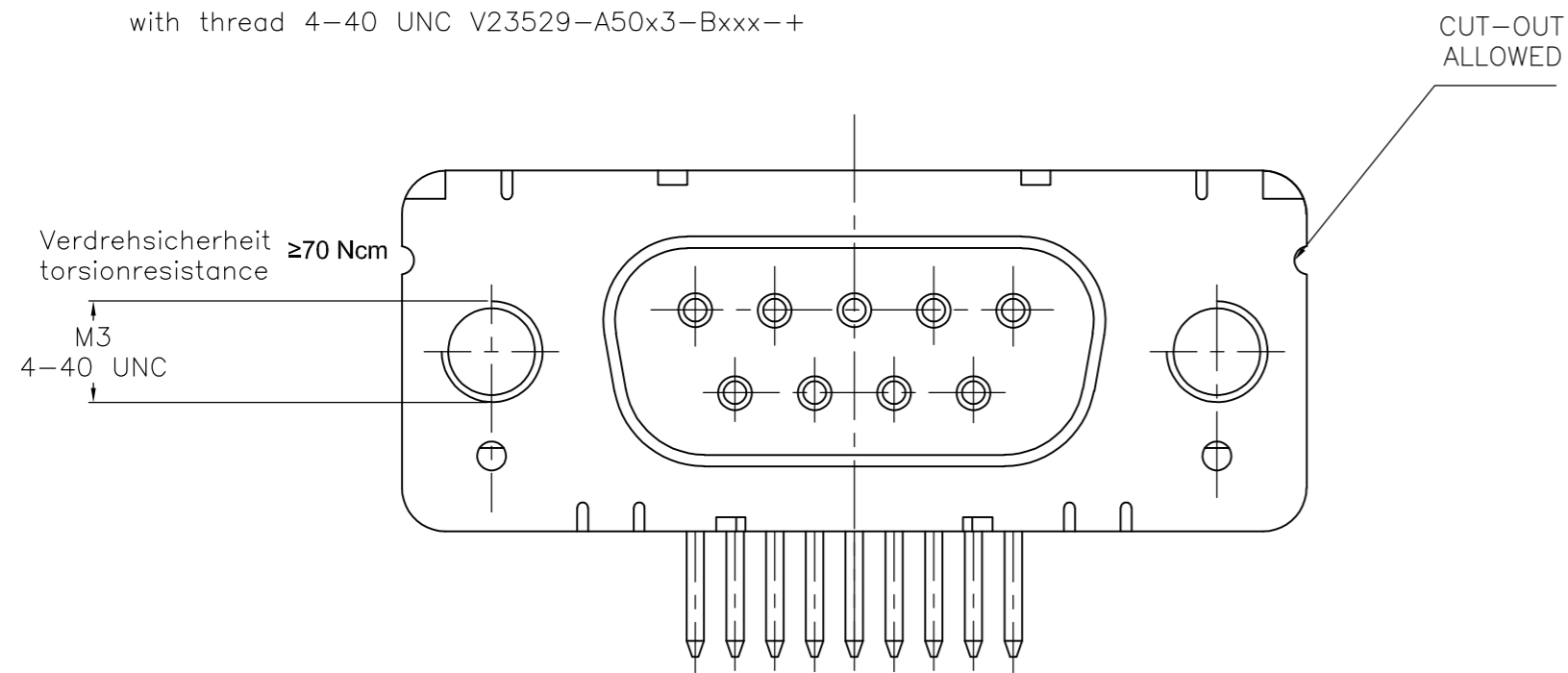
THIS DRAWING IS UNPUBLISHED. RELEASED FOR PUBLICATION
 © COPYRIGHT - By - ALL RIGHTS RESERVED.

REVISIONS				
P	LTR	DESCRIPTION	DATE	DWN APVD
-	-	SEE SHEET 1	-	-

mit Gewindebolzen: M3 V23529-A50x4-Bxxx-+
 with thread lock 4-40 UNC V23529-A50x5-Bxxx-+



mit Gewinde: M3 V23529-A50x2-Bxxx-+
 with thread 4-40 UNC V23529-A50x3-Bxxx-+



Mass Dimension	Polzahl n Number of contacts n			
	9	15	25	37
C	25	33,3	47,04	63,5
H	10,96	19,18	33,12	49,68
K	8,22	16,44	30,36	46,92
X	2,74	2,74	2,76	2,76
Y	2,54 ^{ger} 2,84			

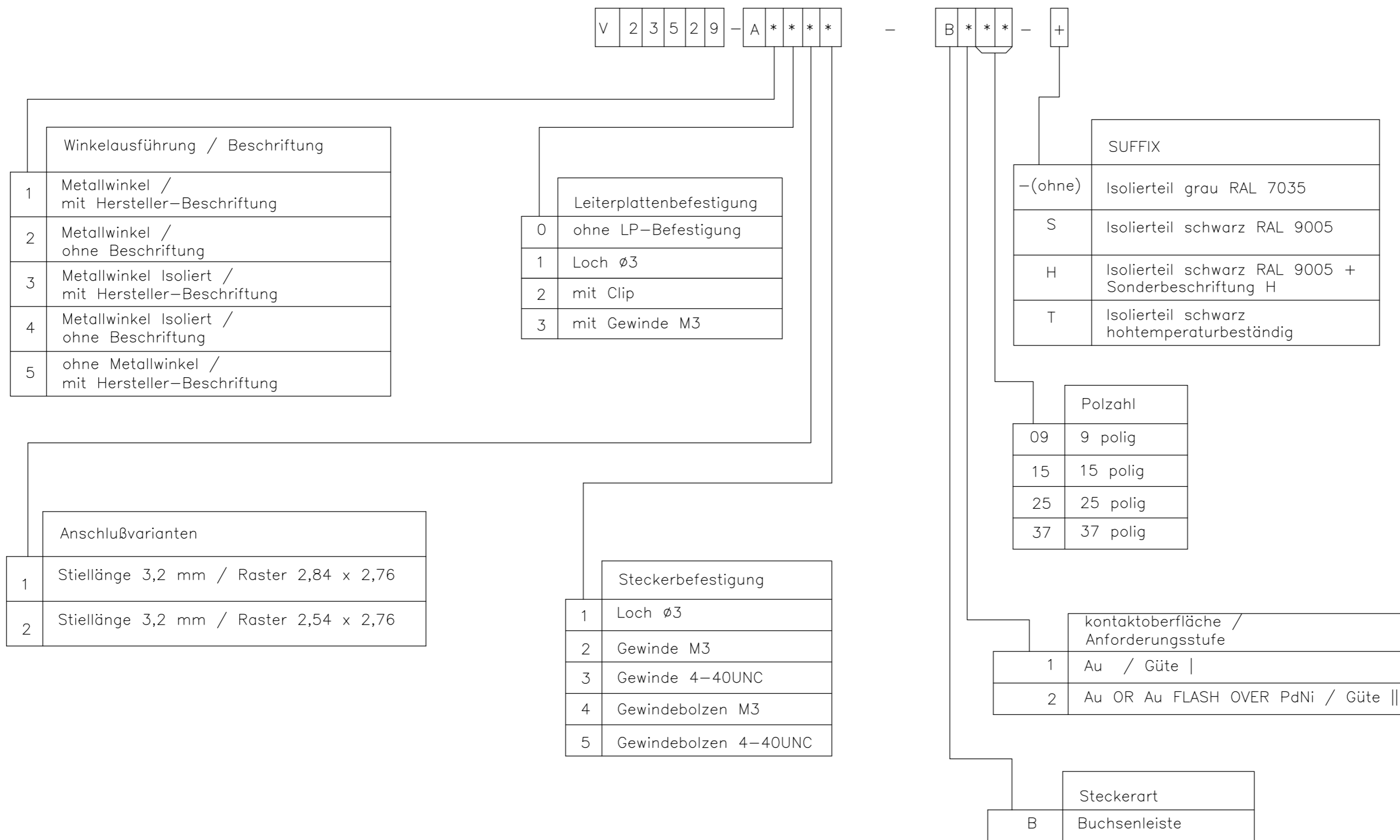
1) nach DIN 41652 T,2 UND T,4
 according to DIN 41652 p,2 AND p,4

OLD PN: V23529-A****-B***-*-7427

THIS DRAWING IS A CONTROLLED DOCUMENT. DIMENSIONING AND TOLERANCING PER ASME Y14.5M-2009		DWN: GNANI JADAV A E CHK: K.MALCZYK APVD: K.MALCZYK PRODUCT SPEC: - APPLICATION SPEC: -	07JAN10		 TE Connectivity
DIMENSIONS: mm	TOLERANCES UNLESS OTHERWISE SPECIFIED:	NAME: Buchsenleiste 90° Löt Ausführung (Variant 2 und 3) ¹⁾ Socketconnector, 90° solderversion (Type 2 and 3) ¹⁾	SIZE: A2	CAGE CODE: 00779	
MATERIAL: -	FINISH: -	WEIGHT: -	SCALE: 2:1	SHEET: 6 of 8	REV: G

THIS DRAWING IS UNPUBLISHED. RELEASED FOR PUBLICATION
 © COPYRIGHT - By - ALL RIGHTS RESERVED.

REVISIONS				
P	LTR	DESCRIPTION	DATE	APVD
-	-	SEE SHEET 1	-	-



1) nach DIN 41652 T.2 und T.4
 according to DIN 41652 p.2 and p.4

OLD PN: V23529-A****-B***-*-7427

THIS DRAWING IS A CONTROLLED DOCUMENT. DIMENSIONING AND TOLERANCING PER ASME Y14.5M-2009		DWN GNANI JADAV A E	07JAN10		STE TE Connectivity
DIMENSIONS: mm		CHK K.MALCZYK	-		
TOLERANCES UNLESS OTHERWISE SPECIFIED:		APVD K.MALCZYK	-		NAME Buchsenleiste 90° LötAusführung (Variant 2 und 3) ¹⁾ Socketconnector 90° solderversion (Type 2 and 3) ¹⁾
0 PLC ± - 1 PLC ± - 2 PLC ± - 3 PLC ± - 4 PLC ± - ANGLES ± -		PRODUCT SPEC -	-		
MATERIAL -	FINISH -	APPLICATION SPEC -	SIZE A2	CAGE CODE 00779	DRAWING NO. C-1393478-4
CUSTOMER DRAWING			WEIGHT -	RESTRICTED TO -	SCALE 2:1
			SHEET 7 of 8	REV G	

THIS DRAWING IS UNPUBLISHED. RELEASED FOR PUBLICATION
 © COPYRIGHT - By - ALL RIGHTS RESERVED.

REVISIONS				
P	LTR	DESCRIPTION	DATE	APVD
-	-	SEE SHEET 1	-	-

Active part numbers. Contact Tyco Electronics for other configuration availability

Old Part Number	TE Part Number		PRIMARY	SECONDARY
V23529-A1111-B209	1393478-4	OBSOLETE		
V23529-A1111-B215	1393478-5	OBSOLETE		
V23529-A1111-B225	1393478-6	OBSOLETE		
V23529-A1111-B237	1393478-7	³ OBSOLETE		
V23529-A1112-B215	1393478-7	² OBSOLETE		
V23529-A1112-B225	1393478-8	² OBSOLETE		
V23529-A1115-B209	21393478-5	OBSOLETE		
V23529-A1115-B215	21393478-6	OBSOLETE		
V23529-A1115-B225	21393478-7	² OBSOLETE		
V23529-A1115-B237	21393478-8	OBSOLETE		
V23529-A1121-B209	31393478-8	OBSOLETE		
V23529-A1121-B215	31393478-9	OBSOLETE		
V23529-A1121-B225	41393478-0	OBSOLETE		
V23529-A1121-B237	41393478-1	OBSOLETE		
V23529-A1122-B109	41393478-8	² OBSOLETE		
V23529-A1122-B115	41393478-9	² OBSOLETE		
V23529-A1122-B209	51393478-0	OBSOLETE		
V23529-A1122-B215	51393478-1	² OBSOLETE		
V23529-A1122-B225	51393478-2	² OBSOLETE		
V23529-A1123-B209	51393478-8	OBSOLETE		
V23529-A1123-B215	51393478-9	OBSOLETE		
V23529-A1123-B225	61393478-0	OBSOLETE		
V23529-A1123-B237	61393478-1	OBSOLETE		
V23529-A1124-B109	61393478-9	³ OBSOLETE		
V23529-A1124-B225	71393478-2	OBSOLETE		
V23529-A1125-B125	71393478-7	² OBSOLETE		
V23529-A1125-B209	71393478-8	OBSOLETE		
V23529-A1125-B225	71393478-9	OBSOLETE		
V23529-A1212-B209	81393478-9	OBSOLETE		
V23529-A1212-B215	91393478-0	² OBSOLETE		
V23529-A1212-B225	91393478-1	² OBSOLETE		
V23529-A1213-B215	91393478-5	² OBSOLETE		
V23529-A1215-B209	1393479-1	OBSOLETE		
V23529-A1215-B225	1393479-3	² OBSOLETE		
V23529-A1221-B209	11393479-0	² OBSOLETE		
V23529-A1221-B215	11393479-1	² OBSOLETE		
V23529-A1221-B225	11393479-2	² OBSOLETE		
V23529-A1221-B237	11393479-3	² OBSOLETE		
V23529-A1222-B109	21393479-3	OBSOLETE		
V23529-A1222-B115	21393479-4	² OBSOLETE		
V23529-A3223-B225	1393480-0	SUPERSEDED	1-106507-2	
V23529-A3212-B215	1393480-2	OBSOLETE		
V23529-A3213-B209	1393480-6	OBSOLETE		
V23529-A3111-B209	61393479-8	OBSOLETE		


Old Part Number	TE Part Number		PRIMARY	SECONDARY
V23529-A3111-B215	61393479-9	OBSOLETE		
V23529-A3122-B209	61393487-0	SUPERSEDED	7-106505-2	
V23529-A3111-B225	71393479-0	OBSOLETE		
V23529-A3113-B225	71393479-5	OBSOLETE		
V23529-A3115-B209	81393479-2	OBSOLETE		
V23529-A3121-B209	81393479-4	SUPERSEDED	5-106505-2	
V23529-A3121-B225	81393479-5	SUPERSEDED	5-106507-2	
V23529-A3123-B225	91393479-6	SUPERSEDED	6-106507-2	
V23529-A1222-B209	21393479-6	OBSOLETE		
V23529-A1222-B215	21393479-7	OBSOLETE		
V23529-A1222-B225	21393479-8	³ OBSOLETE		
V23529-A1222-B237	21393479-9	OBSOLETE		
V23529-A1223-B209	31393479-8			
V23529-A1223-B215	31393479-9			
V23529-A1223-B225	41393479-0			
V23529-A1223-B237	41393479-1	OBSOLETE		
V23529-A1224-B209	41393479-8	OBSOLETE		
V23529-A1224-B215	41393479-9	OBSOLETE		
V23529-A1224-B225	51393479-0	OBSOLETE		
V23529-A1224-B237	51393479-1	³ OBSOLETE		
V23529-A1225-B209	51393479-9	OBSOLETE		
V23529-A1225-B215	61393479-0	OBSOLETE		
V23529-A1225-B225	61393479-1	OBSOLETE		
V23529-A1225-B237	61393479-2	² OBSOLETE		
V23529-A3113-B209	71393479-3	OBSOLETE		
V23529-A3113-B237	71393479-6	OBSOLETE		
V23529-A3121-B215	51393487-6	SUPERSEDED	5-106506-2	
V23529-A3121-B237	51393487-7	SUPERSEDED	5-106508-2	
V23529-A3122-B215	91393479-2	SUPERSEDED	7-106506-2	
V23529-A3122-B225	91393479-3	SUPERSEDED	7-106507-2	
V23529-A3122-B237	61393487-1	SUPERSEDED	7-106508-2	
V23529-A3125-B209	61393487-5	SUPERSEDED	8-106505-2	
V23529-A3125-B215	61393487-6	SUPERSEDED	8-106506-2	
V23529-A3125-B225	61393487-7	SUPERSEDED	8-106507-2	
V23529-A3125-B237	61393487-8	SUPERSEDED	8-106508-2	
V23529-A3212-B225	1393480-3	OBSOLETE		
V23529-A3221-B209	71393487-3	SUPERSEDED	106505-2	
V23529-A3221-B215	71393487-4	SUPERSEDED	106506-2	
V23529-A3221-B225	71393487-5	SUPERSEDED	106507-2	
V23529-A3221-B237	71393487-6	SUPERSEDED	106508-2	
V23529-A3222-B209	81393487-1	SUPERSEDED	2-106505-2	
V23529-A3222-B215	81393487-2	SUPERSEDED	2-106506-2	
V23529-A3222-B225	81393487-3	SUPERSEDED	2-106507-2	
V23529-A3222-B237	81393487-4	SUPERSEDED	2-106508-2	
V23529-A3225-B209	11393480-2	SUPERSEDED	3-106505-2	
V23529-A3225-B215	11393480-3	SUPERSEDED	3-106506-2	
V23529-A3225-B225	81393487-8	SUPERSEDED	3-106507-2	
V23529-A3225-B237	81393487-9	SUPERSEDED	3-106508-2	

OLD PN: V23529-A****-B***-*-7427

1) nach DIN 41652 T.2 und T.4 according to DIN 41652 p.2 and p.4

² OBSOLETE PARTS: OBSOLETE CIS STREAMLINING PER D.RENAUD/D.SINISI

³ OBSOLETE

THIS DRAWING IS A CONTROLLED DOCUMENT. DIMENSIONING AND TOLERANCING PER ASME Y14.5M-2009		DWN GNANI JADAV A E	07JAN10	 TE Connectivity	
DIMENSIONS: mm		CHK K.MALCZYK		NAME Buchsenleiste 90° Lötanschluss (Variant 2 und 3) ¹⁾	
TOLERANCES UNLESS OTHERWISE SPECIFIED: 0 PLC ± - 1 PLC ± - 2 PLC ± - 3 PLC ± - 4 PLC ± - ANGLES ± -		APVD K.MALCZYK		PRODUCT SPEC Socketconnector, 90° solderversion (Type 2 and 3) ¹⁾	
MATERIAL		APPLICATION SPEC		SIZE A2	CAGE CODE 00779
FINISH		WEIGHT		DRAWING NO C-1393478-4	
		CUSTOMER DRAWING		SCALE 2:1	SHEET 8 of 8
				RESTRICTED TO	REV G