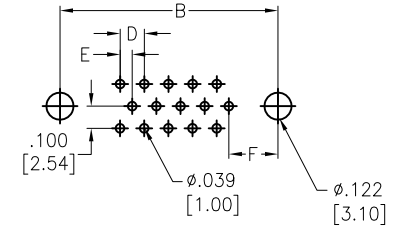
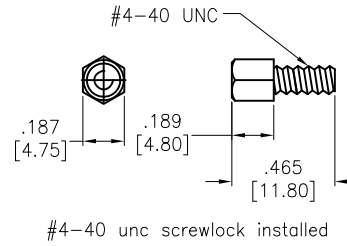
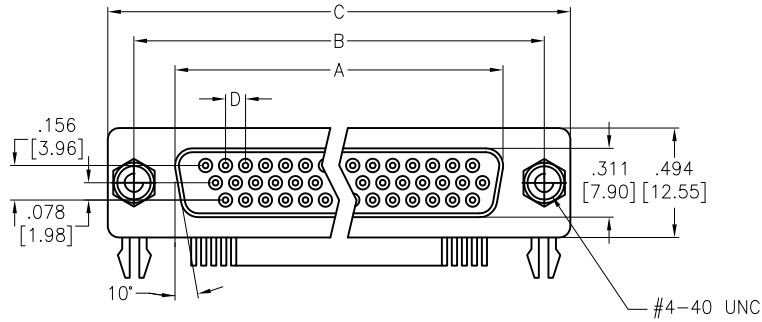
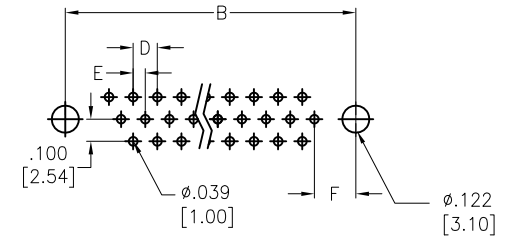
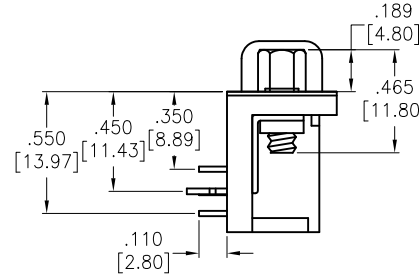
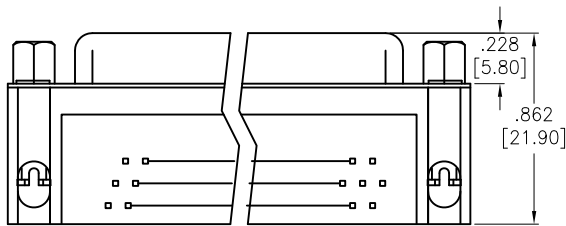


APPROVED: \_\_\_\_\_  
 DATE: \_\_\_\_\_ TITLE: \_\_\_\_\_

Rev	AWO #	Description	Date	Appr
-		RELEASED	5/10/05	
A		REDRAWN	11/29/11	



15 POSITION  
RECOMMENDED PCB LAYOUT



26,44,62 POSITION  
RECOMMENDED PCB LAYOUT

**SPECIFICATIONS:**

Material:  
 Insulator: PBT, glass reinforced, rated UL 94V-0  
 Insulator color: Black  
 Contacts: Copper Alloy  
 Shell: SPCC

Clinch Nut: Brass, Nickel plated  
 Boardlock: Brass, Nickel plated  
 Screwlock: Brass, Nickel plated  
 Plating:

Gold flash over Nickel underplate on contact area  
 Electrical:

Operating voltage: 250 VAC max  
 Current rating: 1 Amps max  
 Contact resistance: 20 mohms max  
 Insulation resistance: 1,000 Mohms min  
 Dielectric withstanding voltage: 1,000 VAC for 1 minute

Environmental:  
 Lead free, RoHS compliant



HDTXX	DIMENSIONS					
	A	B	C	D	E	F
15	.643 [16.33]	.984 [24.99]	1.213 [30.81]	.118 [2.29]	.045 [1.145]	.277 [7.04]
26	.971 [24.66]	1.312 [33.32]	1.541 [39.14]	.118 [2.29]	.045 [1.145]	.271 [6.88]
44	1.511 [38.38]	1.852 [47.04]	2.088 [53.04]	.118 [2.29]	.045 [1.145]	.271 [6.88]
62	2.159 [54.84]	2.500 [63.50]	2.729 [69.32]	.095 [2.41]	.047 [1.205]	.276 [7.00]

UNLESS OTHERWISE SPECIFIED  
 ALL DIMENSIONS ARE INCHES [MM]  
 TOLERANCES: EXCEPT AS NOTED  
 INCHES HOLES  
 .X ± .10 Ø.X ± .10  
 .XX ± .020 Ø.XX ± .015  
 .XXX ± .015 Ø.XXX ± .010

APPROVALS		DATE
DRAWN	SS	5/10/05
CHECKED		
APPROVED		

**ADAM TECH**

909 Rahway Avenue, Union, NJ 07083  
 Phone: 908-687-5000 Fax: 908-687-5710

TITLE		
HIGH DENSITY D-SUB SOCKET, R/A #4-40 INSERTS & FORKED BOARDLOCKS		
SIZE X	PART NO. HDLXX-SL-C	REV. A
REF: S00087T	SCALE: NTS	SHEET 1 OF 1